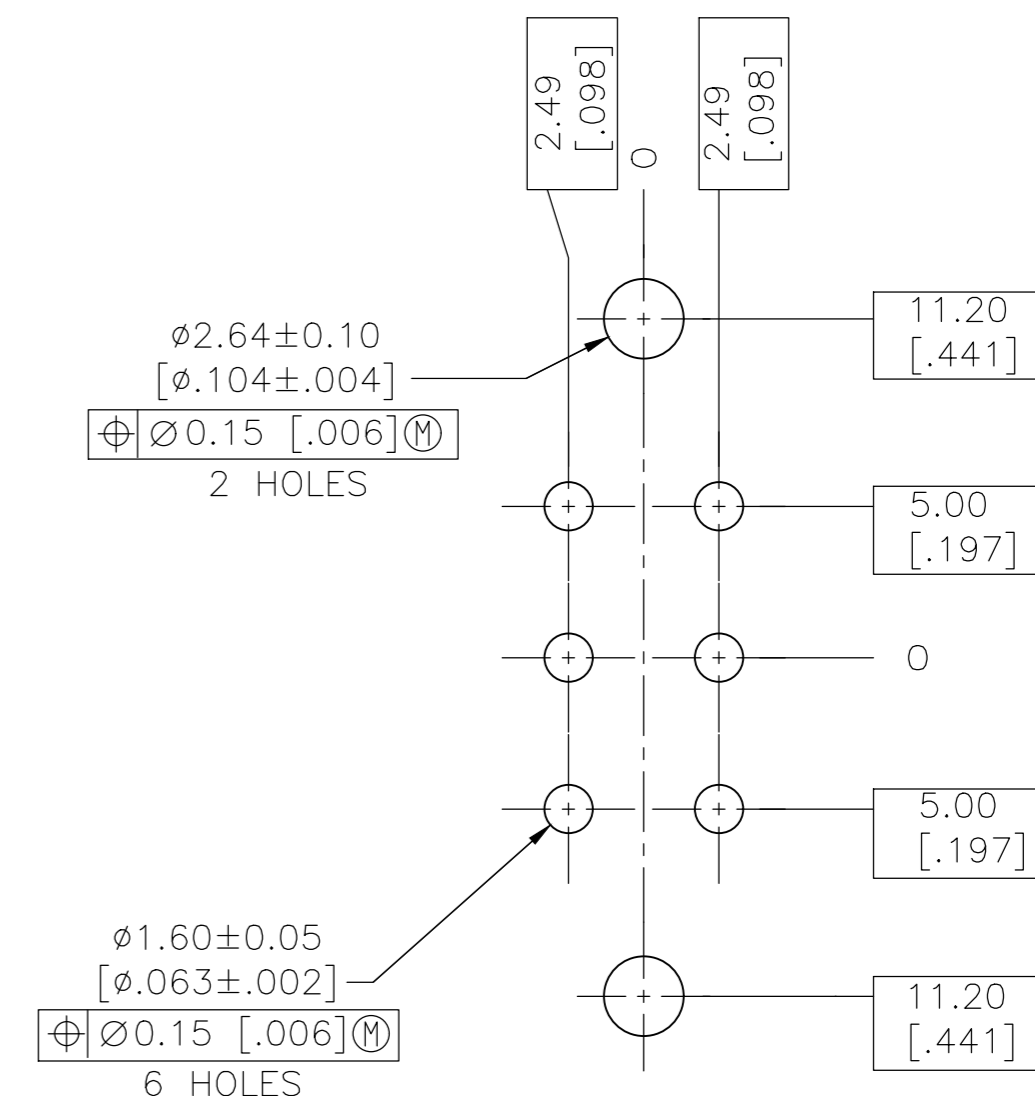
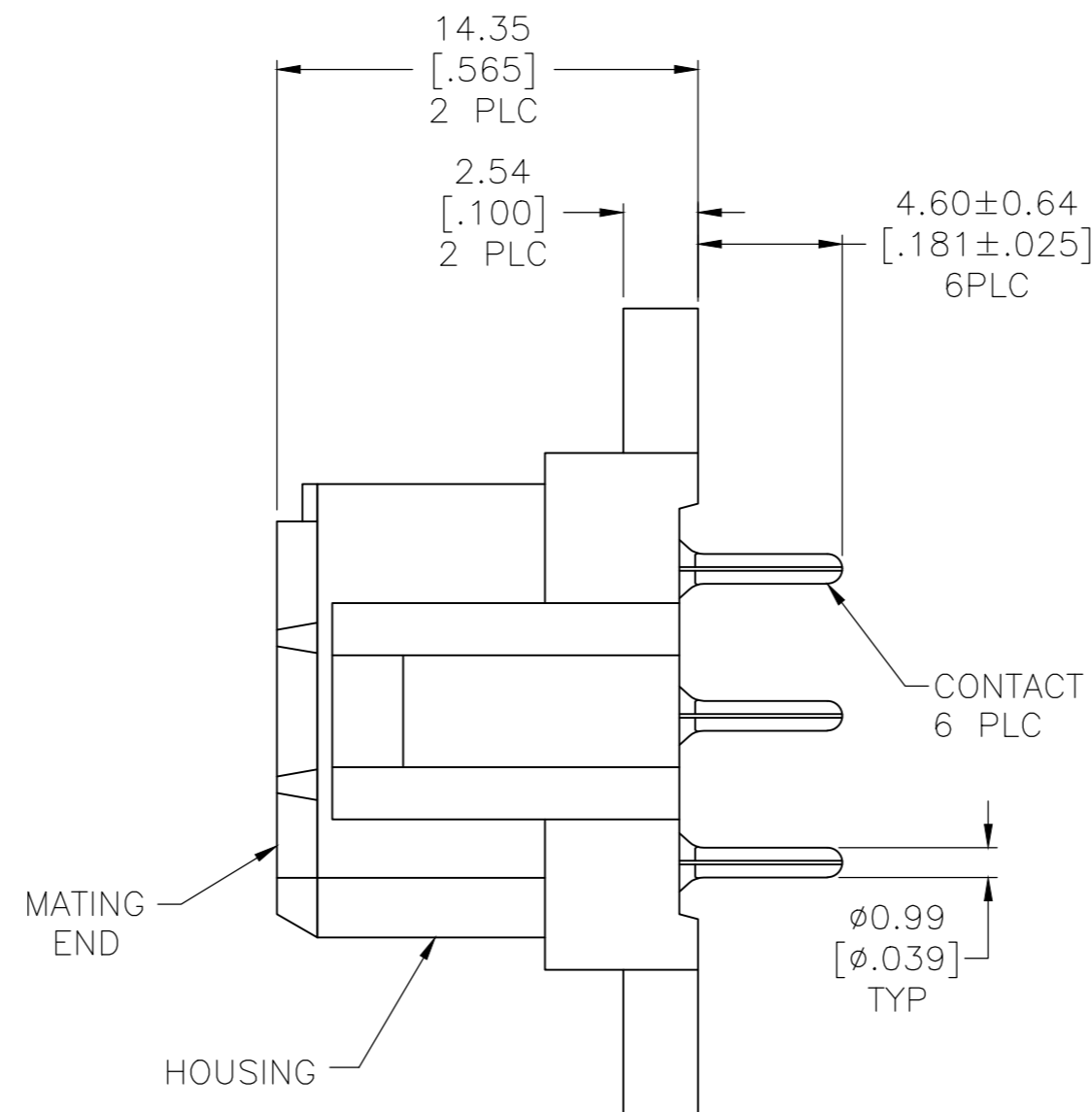
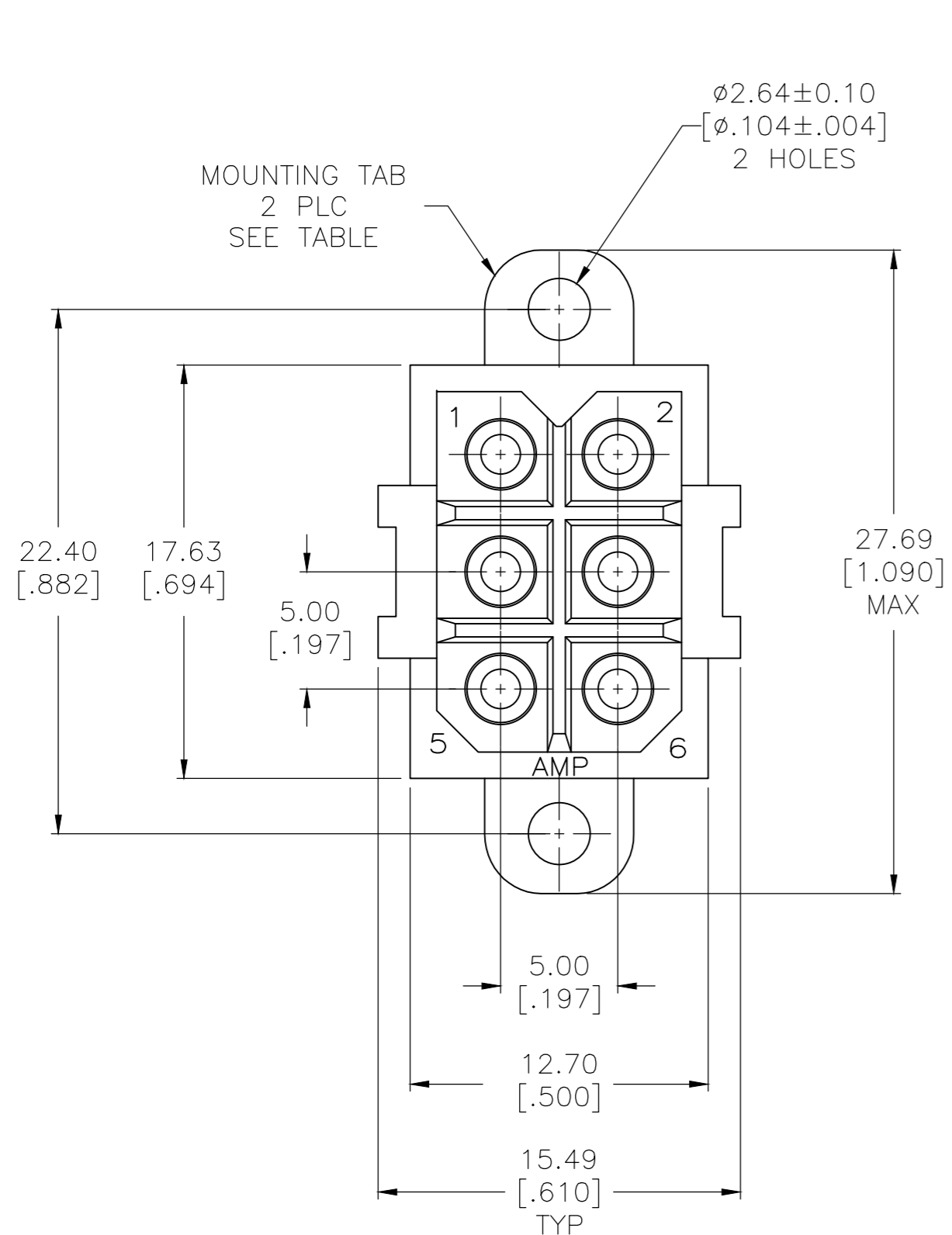


REVISIONS					
P	LTR	DESCRIPTION	DATE	DWN	APVD
V		REVISED PER ECO-18-012313	06AUG2018	RS	MZ
W		REVISED PER ECO-20-002046	14FEB2020	RK	MZ



RECOMMENDED LAYOUT

- 1 HOUSING MATERIAL: PA66, BLACK, UL 94 V-0 RATED.
- 2 CONTACT MATERIAL: PHOSPHOR BRONZE.
- 3 3.81µm [.000150] MIN TIN-LEAD OVER 1.27µm [.000050] MIN NICKEL.
- 4 0.76µm [.000030] MIN GOLD FOR A LENGTH OF 4.95 [.195] MIN FROM MATING END, 3.81µm [.000150] MIN TIN-LEAD FOR A LENGTH OF 4.88 [.192] MIN ON OPPOSITE END, BOTH OVER 1.27µm [.000050] MIN NICKEL.
- 5 3.81µm [.000150] MIN TIN OVER 1.27µm [.000050] MIN NICKEL.
- 6 0.76µm [.000030] MIN GOLD FOR A LENGTH OF 4.95 [.195] MIN FROM MATING END, 3.81µm [.000150] MIN TIN FOR A LENGTH OF 4.88 [.192] MIN ON OPPOSITE END, BOTH OVER 1.27µm [.000050] MIN NICKEL.
- 7 OBSOLETE PARTS: OBSOLETE CIS STREAMLINING PER D.RENAUD/D.SINISI

	6	NO	1-207524-0
	6	YES	207524-9
7	5	NO	-207524-8
	5	YES	207524-7
	4	NO	207524-4
OBSOLETE	4	YES	-207524-3
OBSOLETE	3	NO	207524-2
OBSOLETE	3	YES	207524-1
		CONTACT FINISH	MOUNTING TABS
			PART NO

THIS DRAWING IS A CONTROLLED DOCUMENT.		DWN	03/20/92		
DIMENSIONS: mm [INCHES]		L.SIPE	3-25-92		
TOLERANCES UNLESS OTHERWISE SPECIFIED:		CHK	R.STONE	TE Connectivity	
0 PLC ± -		APVD	A.TRAVIS	NAME	
1 PLC ± -		PRODUCT SPEC	108-10033	SOCKET HEADER ASSEMBLY, 6 POSITION, METRIMATE	
2 PLC ± 0.25 [.010]		APPLICATION SPEC	-	SIZE	CAGE CODE
3 PLC ± -				A2	00779
4 PLC ± -				DRAWING NO	RESTRICTED TO
ANGLES ± -				C=207524	-
MATERIAL	FINISH	WEIGHT	-	SCALE	SHEET
SEE NOTE	CONTACT: SEE TABLE	CUSTOMER DRAWING	4:1	1 OF 1	REV W

## X-ON Electronics

Largest Supplier of Electrical and Electronic Components

*Click to view similar products for [Headers & Wire Housings](#) category:*

*Click to view products by [TE Connectivity](#) manufacturer:*

Other Similar products are found below :

[95000-104TRLF](#) [10135584-644402LF](#) [DF62W-EP2022PCA](#) [95000-106TRLF](#) [DF62W-2022SCA](#) [DF62W-EP2022PC](#) [2203348](#) [DF62W-2022SC](#) [1084018](#) [1029039](#) [1084017](#) [802-10-012-10-002000](#) [1112640](#) [1112639](#) [000-34000](#) [0009482033](#) [0009507031](#) [57102-S06-03LF](#) [57202-S52-04LF](#) [PCN6-15S-2.5E](#) [0039019024](#) [58102-G61-06LF](#) [582553-1](#) [0009508121](#) [0050291907](#) [018731A](#) [LY20-4P-DT1-P1E-BR](#) [02.125.8002.8](#) [60101931](#) [60598-1 \(Cut Strip\)](#) [M1625-3R/100](#) [61062-3](#) [61082-181009](#) [636-1427](#) [638009-1](#) [641938-9](#) [641991-4](#) [644168-1](#) [647662-1](#) [65039-019ELF](#) [65817-002LF](#) [65817-015LF](#) [65863-015LF](#) [66207-023LF](#) [67016-026LF](#) [67046-001LF](#) [67095-007LF](#) [68002-116](#) [68016-236H](#) [68648-049](#)