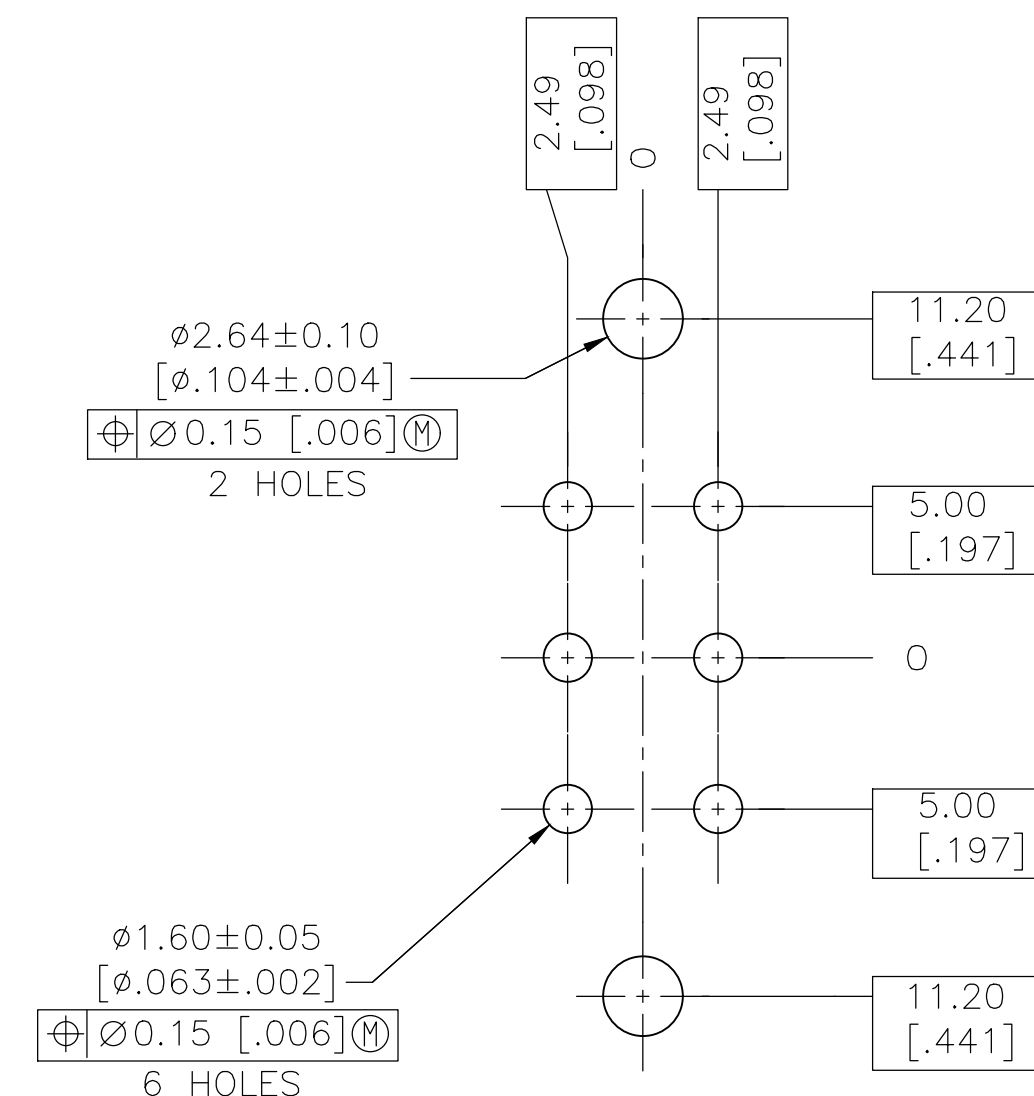
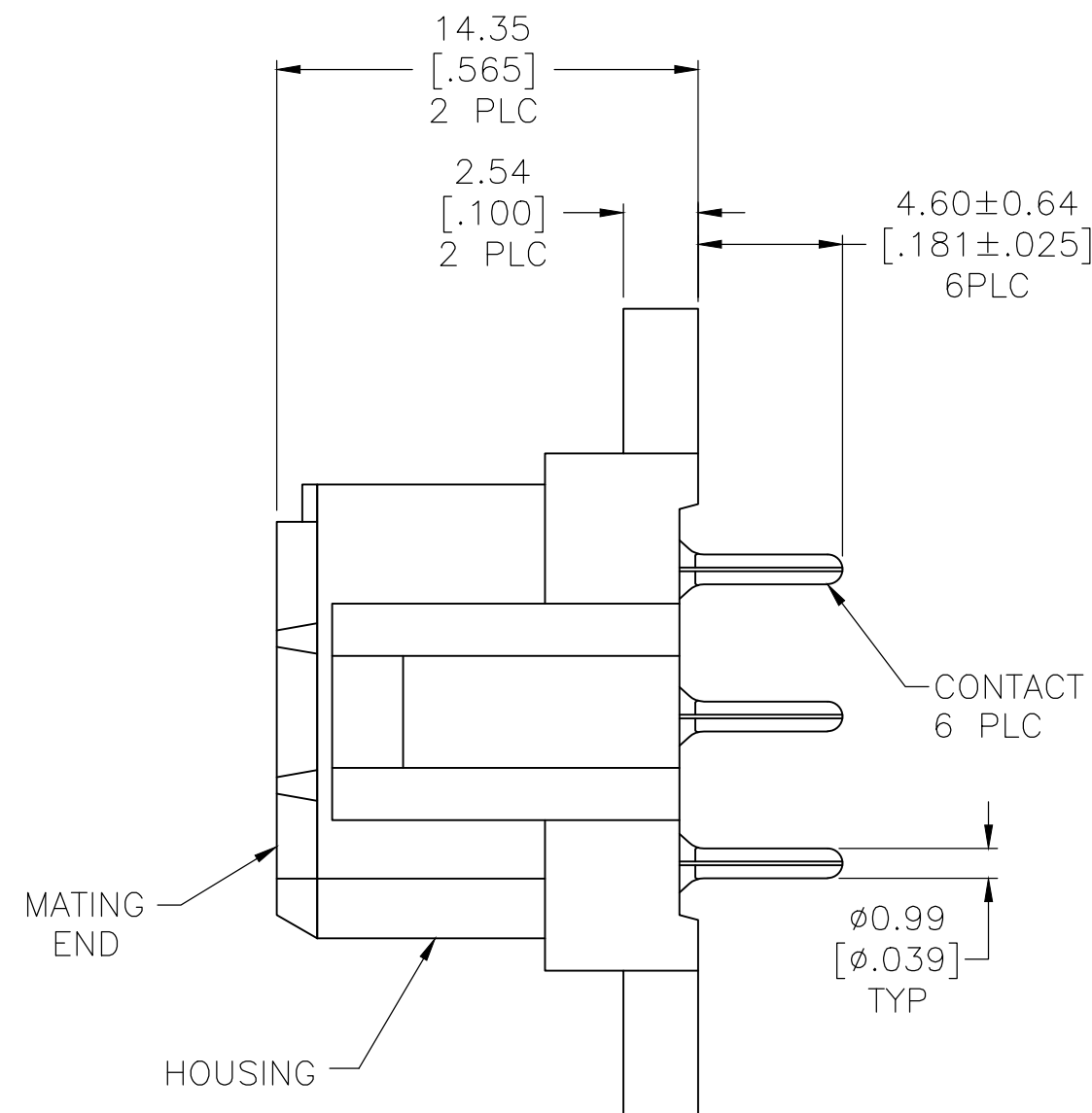
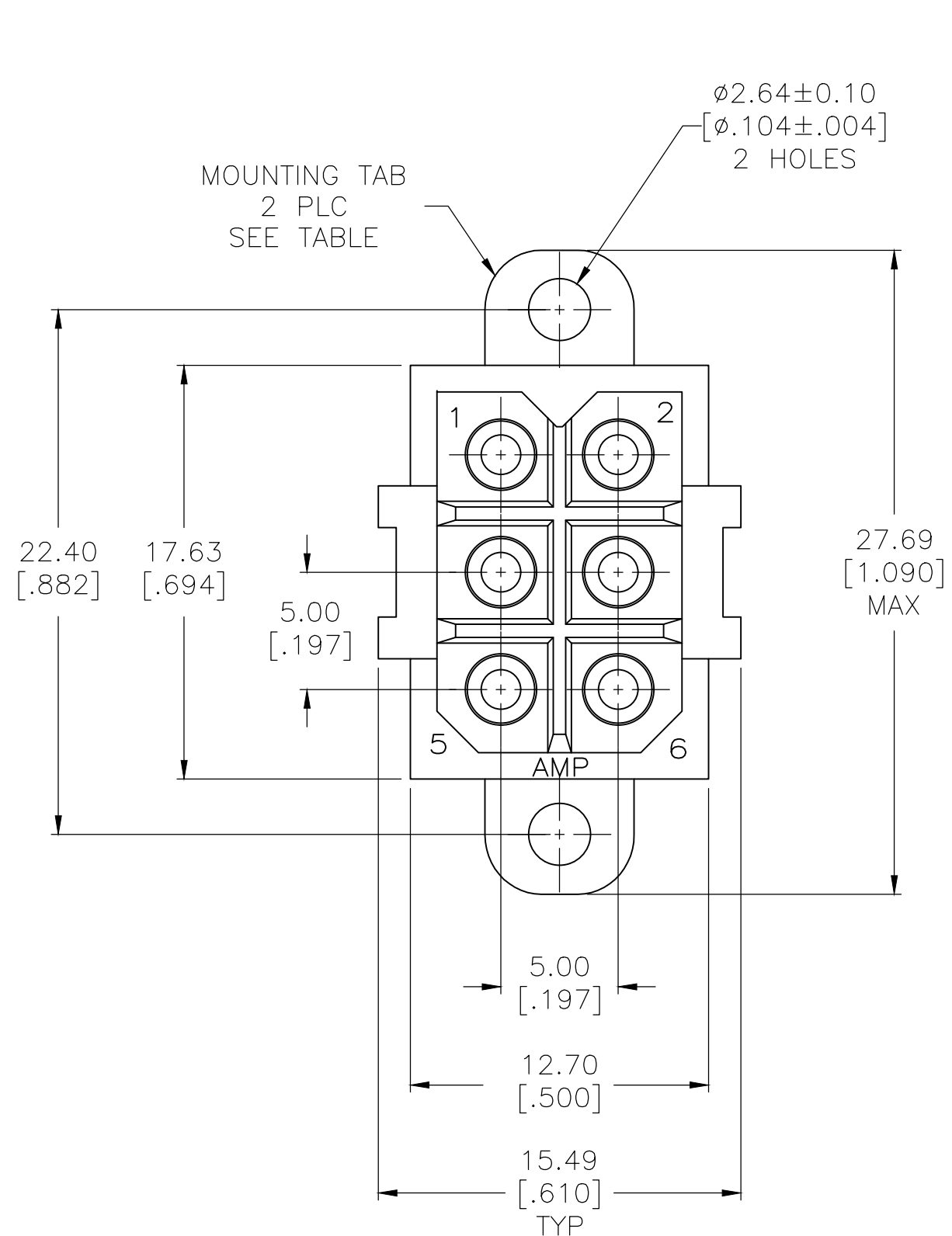


REVISIONS					
P	LTR	DESCRIPTION	DATE	DWN	APVD
V		REVISED PER ECO-18-012313	06AUG2018	RS	MZ
W		REVISED PER ECO-20-002046	14FEB2020	RK	MZ



RECOMMENDED LAYOUT

- 1 HOUSING MATERIAL: PA66, BLACK, UL 94 V-0 RATED.
- 2 CONTACT MATERIAL: PHOSPHOR BRONZE.
- 3 3.81µm [.000150] MIN TIN-LEAD OVER 1.27µm [.000050] MIN NICKEL.
- 4 0.76µm [.000030] MIN GOLD FOR A LENGTH OF 4.95 [.195] MIN FROM MATING END, 3.81µm [.000150] MIN TIN-LEAD FOR A LENGTH OF 4.88 [.192] MIN ON OPPOSITE END, BOTH OVER 1.27µm [.000050] MIN NICKEL.
- 5 3.81µm [.000150] MIN TIN OVER 1.27µm [.000050] MIN NICKEL.
- 6 0.76µm [.000030] MIN GOLD FOR A LENGTH OF 4.95 [.195] MIN FROM MATING END, 3.81µm [.000150] MIN TIN FOR A LENGTH OF 4.88 [.192] MIN ON OPPOSITE END, BOTH OVER 1.27µm [.000050] MIN NICKEL.
- 7 OBSOLETE PARTS: OBSOLETE CIS STREAMLINING PER D.RENAUD/D.SINISI

	6	NO	1-207524-0
	6	YES	207524-9
7	5	NO	-207524-8
	5	YES	207524-7
	4	NO	207524-4
OBSOLETE	4	YES	-207524-3
OBSOLETE	3	NO	207524-2
OBSOLETE	3	YES	207524-1
		CONTACT FINISH	MOUNTING TABS
			PART NO

THIS DRAWING IS A CONTROLLED DOCUMENT.		DWN	03/20/92		
DIMENSIONS: mm [INCHES]		L.SIPE	3-25-92		
TOLERANCES UNLESS OTHERWISE SPECIFIED:		CHK	R.STONE	TE Connectivity	
0 PLC ± -		APVD	A.TRAVIS	NAME	
1 PLC ± -		PRODUCT SPEC	108-10033	SOCKET HEADER ASSEMBLY, 6 POSITION, METRIMATE	
2 PLC ± 0.25 [.010]		APPLICATION SPEC	-	SIZE	CAGE CODE
3 PLC ± -				A2	00779
4 PLC ± -				DRAWING NO	RESTRICTED TO
ANGLES ± -				C=207524	-
MATERIAL	FINISH	WEIGHT	-	SCALE	SHEET
SEE NOTE	CONTACT: SEE TABLE	CUSTOMER DRAWING	4:1	1 of 1	REV W

X-ON Electronics

Largest Supplier of Electrical and Electronic Components

Click to view similar products for [Power to the Board](#) category:

Click to view products by [TE Connectivity](#) manufacturer:

Other Similar products are found below :

[10131318-08512GRLF](#) [6450171-4](#) [6450552-7](#) [6600323-8](#) [6643429-1](#) [6646040-2](#) [6651939-1](#) [6766604-1](#) [120959-1](#) [1393557-2](#) [1393532-2](#)
[1393532-3](#) [1393532-4](#) [1600812-5](#) [1-6450861-2](#) [1645595-1](#) [1743490-1](#) [1744132-7](#) [1761122-1](#) [1766169-1](#) [1766250-1](#) [18362](#) [1892109-1](#) [1-](#)
[967627-6](#) [2226808-1](#) [2-6450860-5](#) [2-6450860-6](#) [2-6450870-0](#) [93003-0502](#) [953552-1](#) [1-6450161-4](#) [1-6450850-6](#) [1645526-2](#) [1-6600130-0](#)
[1743419-1](#) [1766150-1](#) [2005243-2](#) [211110-1](#) [2-6600130-2](#) [TE34-12-16P-F0](#) [5-6450830-6](#) [5646956-4](#) [36662-0005](#) [40585-3000](#) [4-6450830-9](#)
[4-6600333-3](#) [51142-0214](#) [10134048-911LF](#) [10130248-005LF](#) [6600320-3](#)