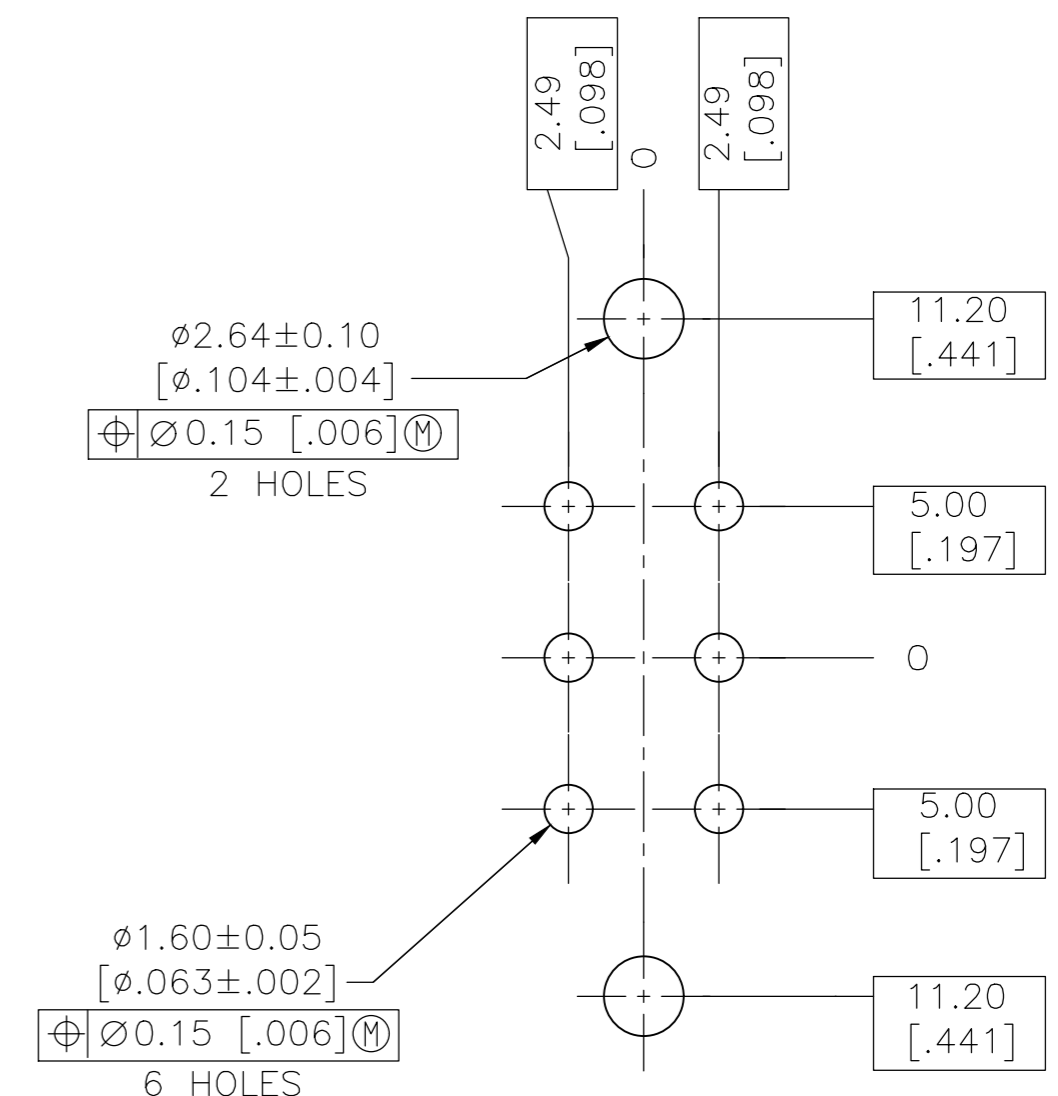
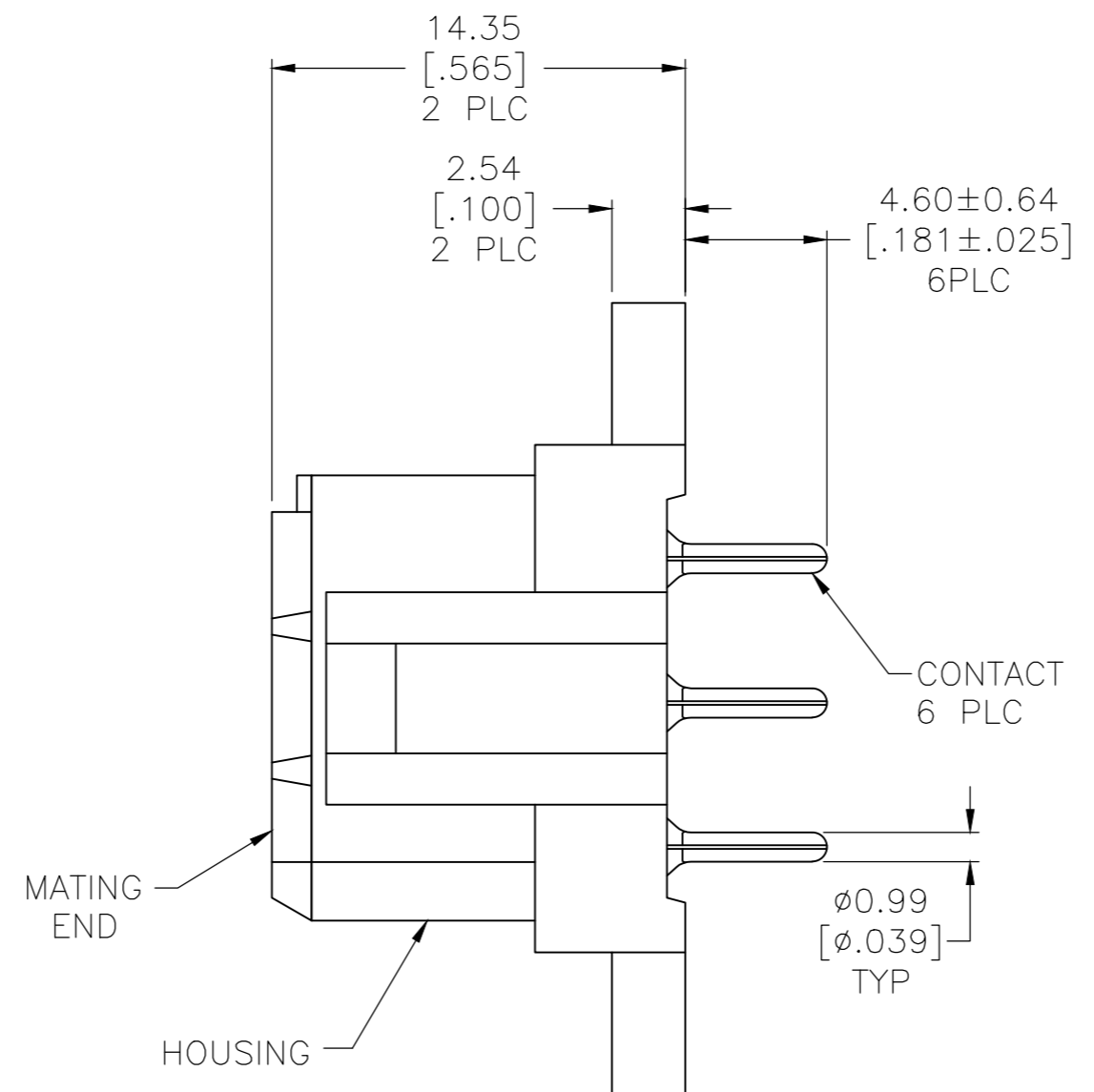
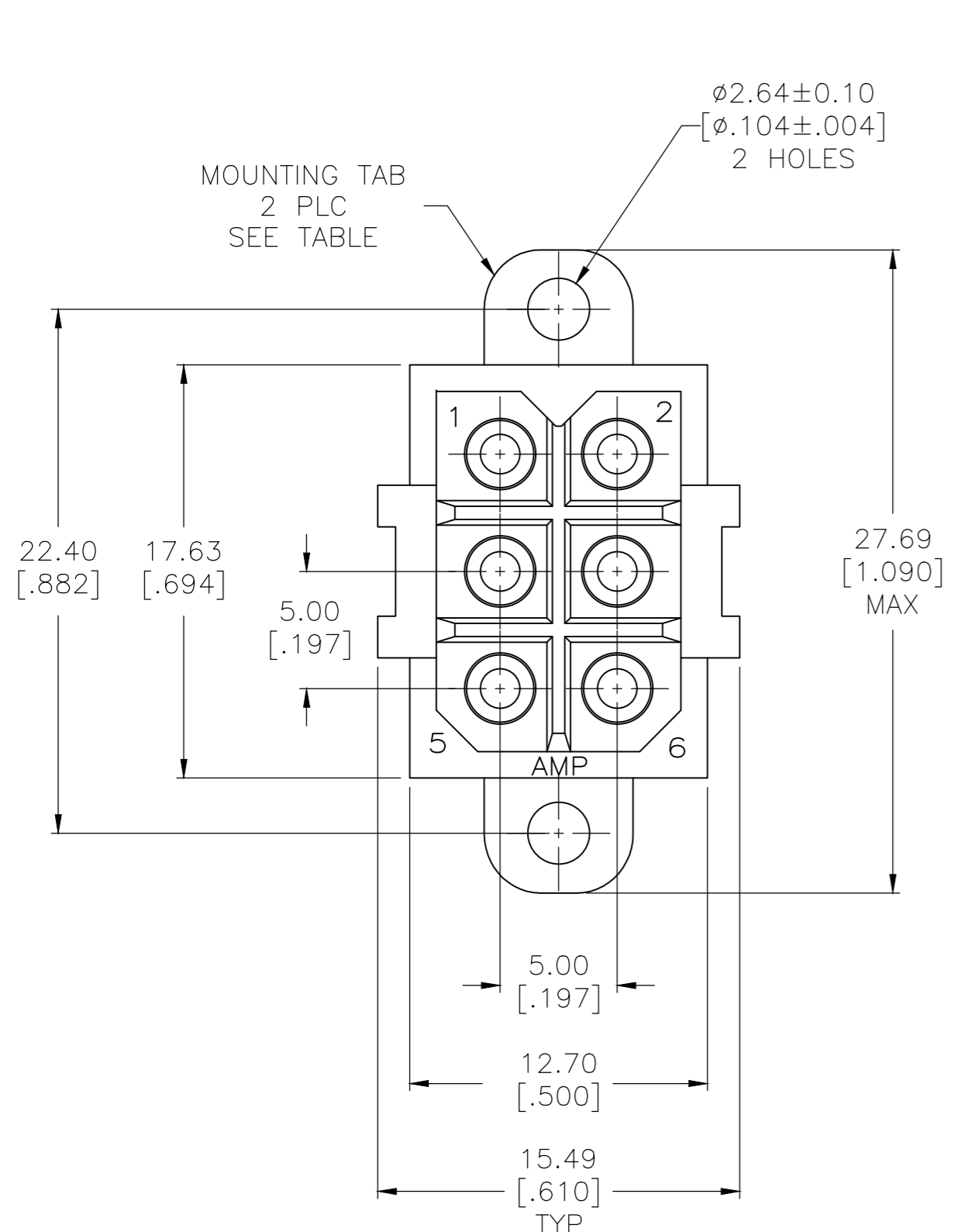


| REVISIONS |     |                           |           |     |      |
|-----------|-----|---------------------------|-----------|-----|------|
| P         | LTR | DESCRIPTION               | DATE      | DWN | APVD |
| V         |     | REVISED PER ECO-18-012313 | 06AUG2018 | RS  | MZ   |
| W         |     | REVISED PER ECO-20-002046 | 14FEB2020 | RK  | MZ   |



RECOMMENDED LAYOUT

- 1 HOUSING MATERIAL: PA66, BLACK, UL 94 V-0 RATED.
- 2 CONTACT MATERIAL: PHOSPHOR BRONZE.
- 3 3.81µm [.000150] MIN TIN-LEAD OVER 1.27µm [.000050] MIN NICKEL.
- 4 0.76µm [.000030] MIN GOLD FOR A LENGTH OF 4.95 [.195] MIN FROM MATING END, 3.81µm [.000150] MIN TIN-LEAD FOR A LENGTH OF 4.88 [.192] MIN ON OPPOSITE END, BOTH OVER 1.27µm [.000050] MIN NICKEL.
- 5 3.81µm [.000150] MIN TIN OVER 1.27µm [.000050] MIN NICKEL.
- 6 0.76µm [.000030] MIN GOLD FOR A LENGTH OF 4.95 [.195] MIN FROM MATING END, 3.81µm [.000150] MIN TIN FOR A LENGTH OF 4.88 [.192] MIN ON OPPOSITE END, BOTH OVER 1.27µm [.000050] MIN NICKEL.
- 7 OBSOLETE PARTS: OBSOLETE CIS STREAMLINING PER D.RENAUD/D.SINISI

| CONTACT FINISH | MOUNTING TABS | PART NO    |
|----------------|---------------|------------|
| 6              | NO            | 1-207524-0 |
| 6              | YES           | 207524-9   |
| 7 OBSOLETE     | NO            | -207524-8  |
| 5              | YES           | 207524-7   |
| 4              | NO            | 207524-4   |
| OBSOLETE       | YES           | -207524-3  |
| OBSOLETE       | NO            | 207524-2   |
| OBSOLETE       | YES           | 207524-1   |

|  |  |                  |                    |   |          |
|--|--|------------------|--------------------|---|----------|
| THIS DRAWING IS A CONTROLLED DOCUMENT. |  | DWN              | 03/20/92           |   |          |
| DIMENSIONS: mm [INCHES]                |  | L.SIPE           | 3-25-92            |   |          |
| TOLERANCES UNLESS OTHERWISE SPECIFIED: |  | CHK              | R.STONE            | NAME  |          |
| 0 PLC ± -                              |  | APVD             | A.TRAVIS           | SOCKET HEADER ASSEMBLY, 6 POSITION, METRIMATE |          |
| 1 PLC ± -                              |  | PRODUCT SPEC     | 108-10033          | SIZE  | A2       |
| 2 PLC ± 0.25 [.010]                    |  | APPLICATION SPEC | -                  | CAGE CODE                                     | 00779    |
| 3 PLC ± -                              |  | MATERIAL         | SEE NOTE           | DRAWING NO                                    | C=207524 |
| 4 PLC ± -                              |  | FINISH           | CONTACT: SEE TABLE | RESTRICTED TO                                 | -        |
| ANGLES ± -                             |  | WEIGHT           | -                  | SCALE   | 4:1      |
| MATERIAL                               |  | CUSTOMER DRAWING |                    | SHEET   | 1 of 1   |
| SEE NOTE                               |  |                  |                    | REV   | W        |

## X-ON Electronics

Largest Supplier of Electrical and Electronic Components

*Click to view similar products for [Headers & Wire Housings](#) category:*

*Click to view products by [TE Connectivity](#) manufacturer:*

Other Similar products are found below :

[892-18-020-10-001101](#) [58102-G61-06LF](#) [582553-1](#) [0009485154](#) [009176003701906](#) [0050291907](#) [LY20-4P-DT1-P1E-BR](#) [02.125.8002.8](#)  
[609-3404](#) [61062-3](#) [61082-181009](#) [622-3653LF](#) [63453-116](#) [636-1030](#) [636-1427](#) [636-3427](#) [636-4007](#) [641938-9](#) [641991-4](#) [644827-2](#) [65817-](#)  
[010LF](#) [65817-015LF](#) [65863-015LF](#) [66207-023LF](#) [67095-007LF](#) [67601157](#) [68645-018](#) [68648-049](#) [70.362.1628.0](#) [70-4210](#) [70-4226B](#) [70-](#)  
[4853B](#) [707-5020](#) [707-5028](#) [71.350.2428.0](#) [71918-208LF](#) [71961-016LF](#) [733-134](#) [733-162](#) [754199-000](#) [760-3052](#) [787-8014-00](#) [79531-3000](#)  
[FCN-360C032-B](#) [FCN-367T-T012/H](#) [FCN-723D010/2](#) [80.063.4001.1](#) [800-90-001-10-001000](#) [800-90-010-10-002000](#) [801-43-002-10-013000](#)