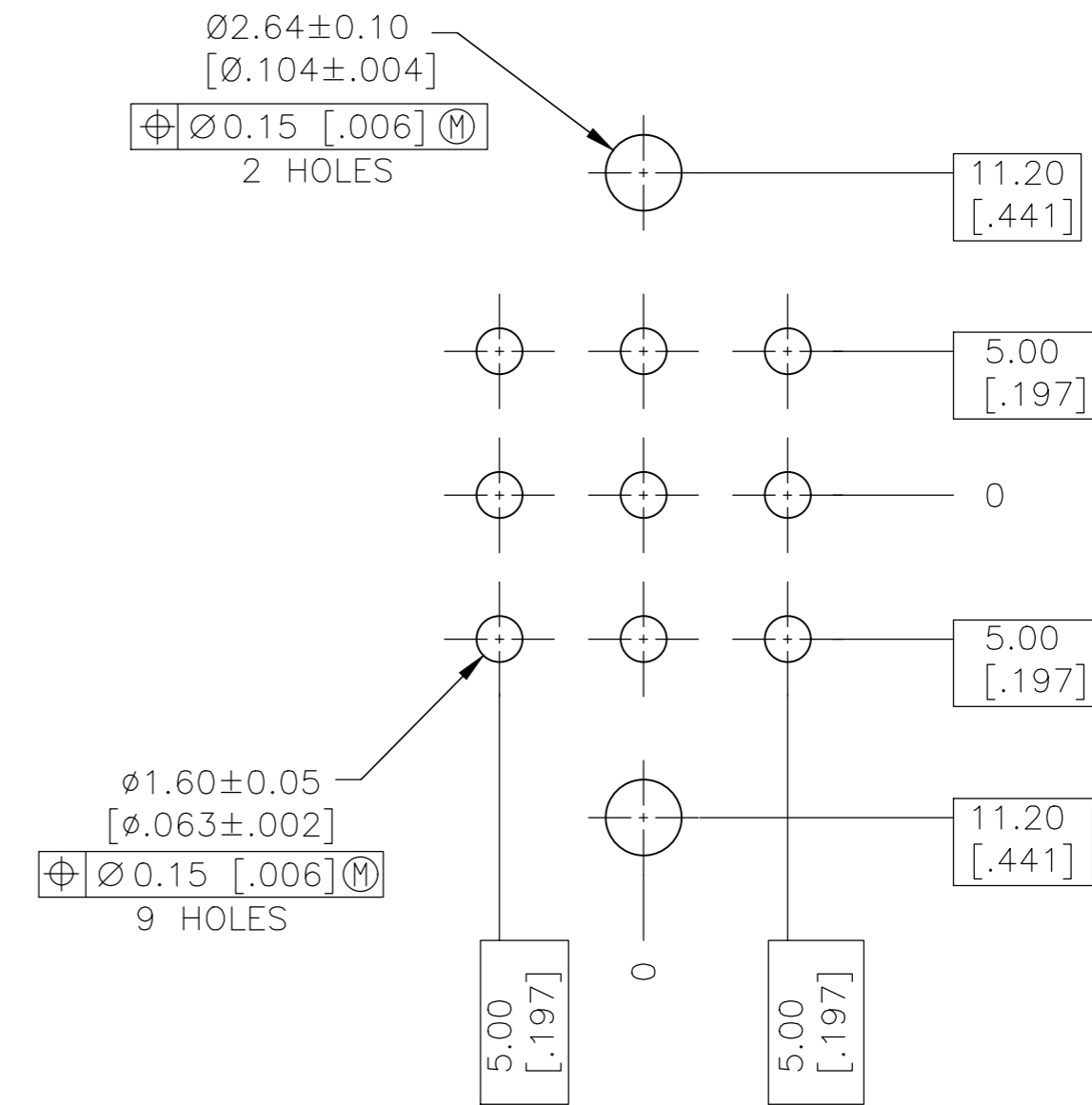
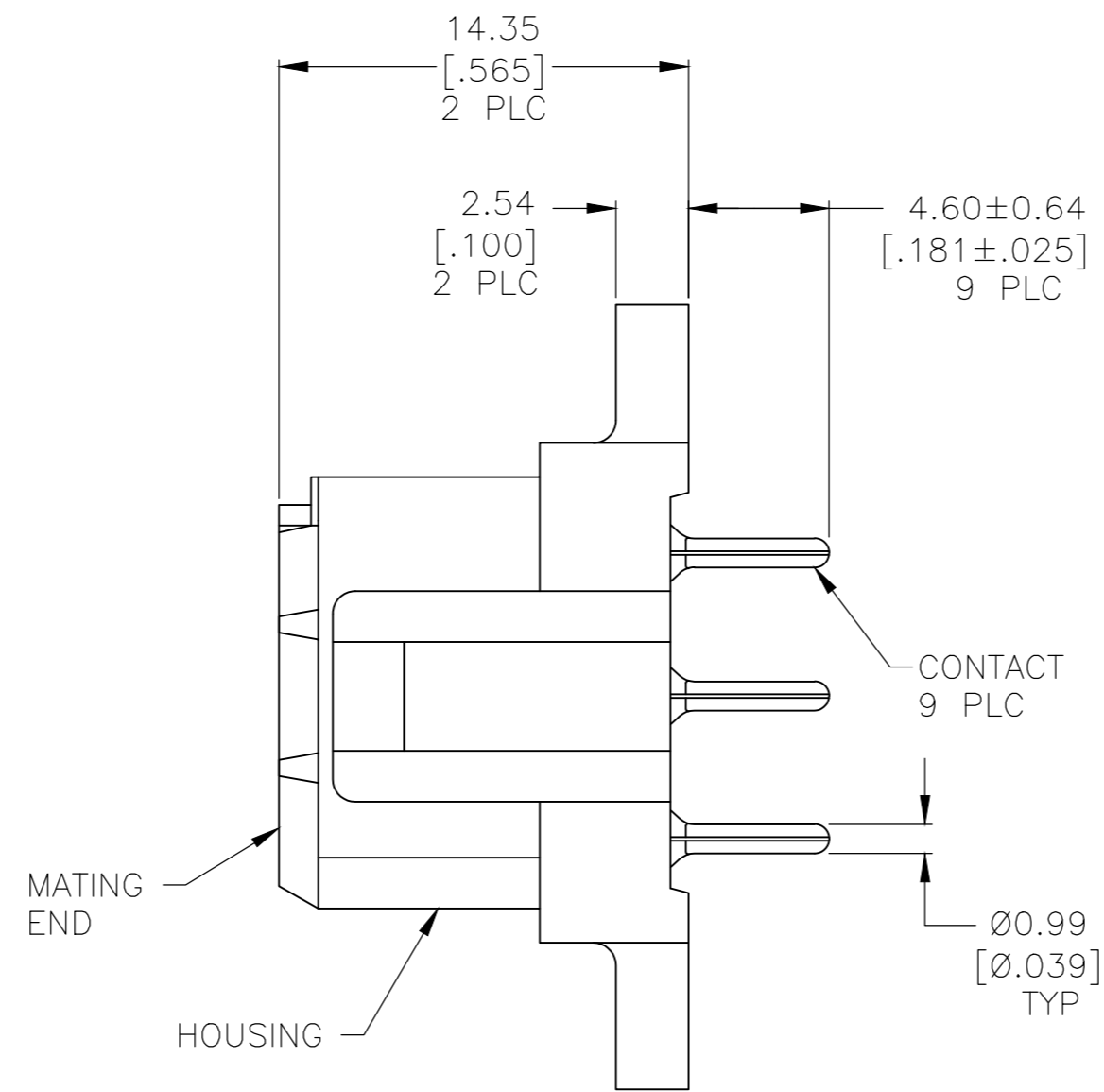
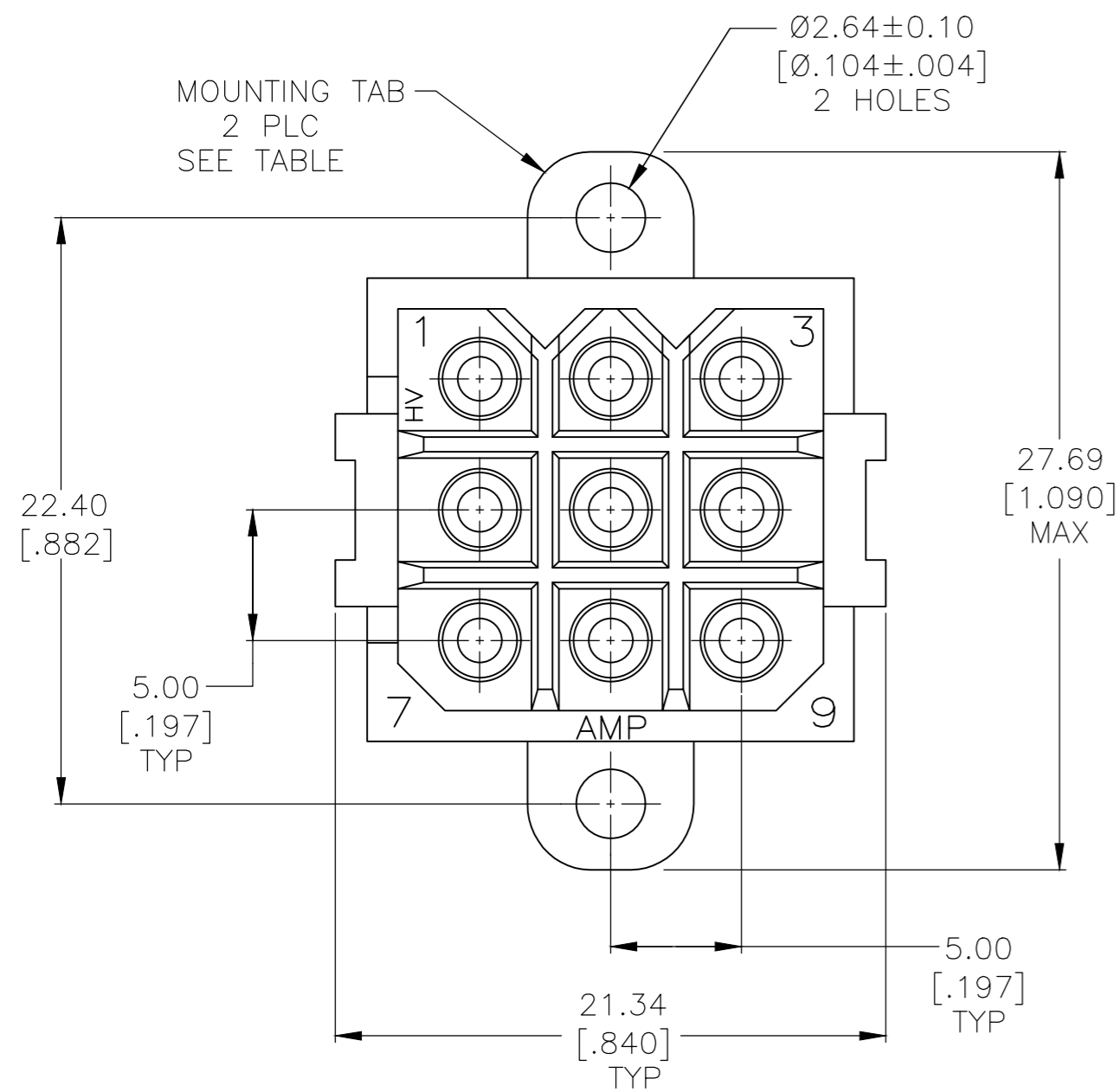


REVISIONS					
P	LTR	DESCRIPTION	DATE	DWN	APVD
P		REVISED PER ECO-17-011181	05AUG2017	RS	MZ
R		REVISED PER ECO-18-000441	24JAN2018	RS	MZ
S		REVISED PER ECO-20-002046	14FEB2020	RK	MZ



RECOMMENDED LAYOUT

- 1 HOUSING MATERIAL: PA66, BLACK, UL 94 V-0 RATED.
- 2 CONTACT MATERIAL: PHOSPHOR BRONZE.
- 3 3.81 $\mu$ m [.000150] MIN TIN-LEAD OVER 1.27 $\mu$ m [.000050] MIN NICKEL.
- 4 0.76 $\mu$ m [.000030] MIN GOLD FOR A LENGTH OF 4.95 [.195] MIN FROM MATING END, 3.81 $\mu$ m [.000150] MIN TIN-LEAD FOR A LENGTH OF 4.88 [.192] MIN ON OPPOSITE END, BOTH OVER 1.27 $\mu$ m [.000050] MIN NICKEL.
- 5 3.81 $\mu$ m [.000150] MIN TIN OVER 1.27 $\mu$ m [.000050] MIN NICKEL.
- 6 0.76 $\mu$ m [.000030] MIN GOLD FOR A LENGTH OF 4.95 [.195] MIN FROM MATING END, 3.81 $\mu$ m [.000150] MIN TIN FOR A LENGTH OF 4.88 [.192] MIN ON OPPOSITE END, BOTH OVER 1.27 $\mu$ m [.000050] MIN NICKEL.

6	NO	1-207526-0
6	YES	207526-9
5	NO	207526-8
5	YES	207526-7
4	NO	207526-4
4	YES	207526-3
3	NO	207526-2
3	YES	207526-1
CONTACT FINISH		MOUNTING TABS
PART NO		

THIS DRAWING IS A CONTROLLED DOCUMENT.		DWN	03/20/92	L.SIPE	
DIMENSIONS: mm [INCHES]		CHK	3-25-92	R.STONE	
TOLERANCES UNLESS OTHERWISE SPECIFIED:		APVD	-	NAME	
0 PLC $\pm$ -		PRODUCT SPEC	-	108-10033	
1 PLC $\pm$ -		APPLICATION SPEC	-	SIZE	A2
2 PLC $\pm 0.25$ [.010]		WEIGHT	-	CAGE CODE	00779
3 PLC $\pm$ -		CUSTOMER DRAWING	-	DRAWING NO	C=207526
4 PLC $\pm$ -		SCALE	4:1	SHEET	1 of 1
ANGLES $\pm$ -		RESTRICTED TO	-	REV	S
MATERIAL SEE NOTE		CONTACT: SEE TABLE			

## X-ON Electronics

Largest Supplier of Electrical and Electronic Components

*Click to view similar products for [Power to the Board](#) category:*

*Click to view products by [TE Connectivity](#) manufacturer:*

Other Similar products are found below :

[10131318-08512GRLF](#) [6450171-4](#) [6450552-7](#) [6600323-8](#) [6643429-1](#) [6646040-2](#) [6651939-1](#) [6766604-1](#) [120959-1](#) [1393557-2](#) [1393532-2](#)  
[1393532-3](#) [1393532-4](#) [1600812-5](#) [1-6450861-2](#) [1645595-1](#) [1743490-1](#) [1744132-7](#) [1761122-1](#) [1766169-1](#) [1766250-1](#) [18362](#) [1892109-1](#) [1-](#)  
[967627-6](#) [2226808-1](#) [2-6450860-5](#) [2-6450860-6](#) [2-6450870-0](#) [93003-0502](#) [953552-1](#) [1-6450161-4](#) [1-6450850-6](#) [1645526-2](#) [1-6600130-0](#)  
[1743419-1](#) [1766150-1](#) [2005243-2](#) [211110-1](#) [2-6600130-2](#) [TE34-12-16P-F0](#) [5-6450830-6](#) [5646956-4](#) [36662-0005](#) [40585-3000](#) [4-6450830-9](#)  
[4-6600333-3](#) [51142-0214](#) [10134048-911LF](#) [10130248-005LF](#) [6600320-3](#)