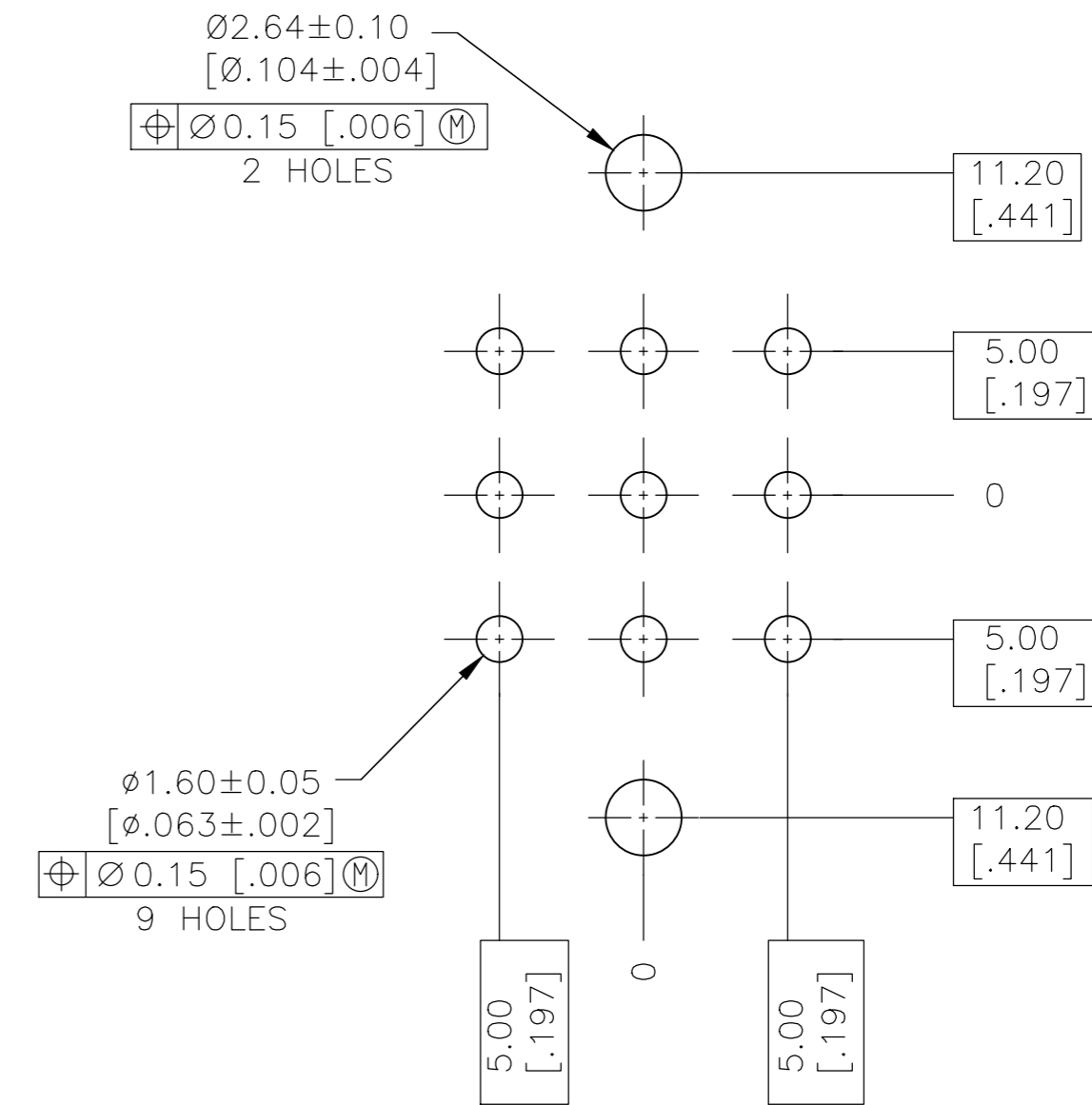
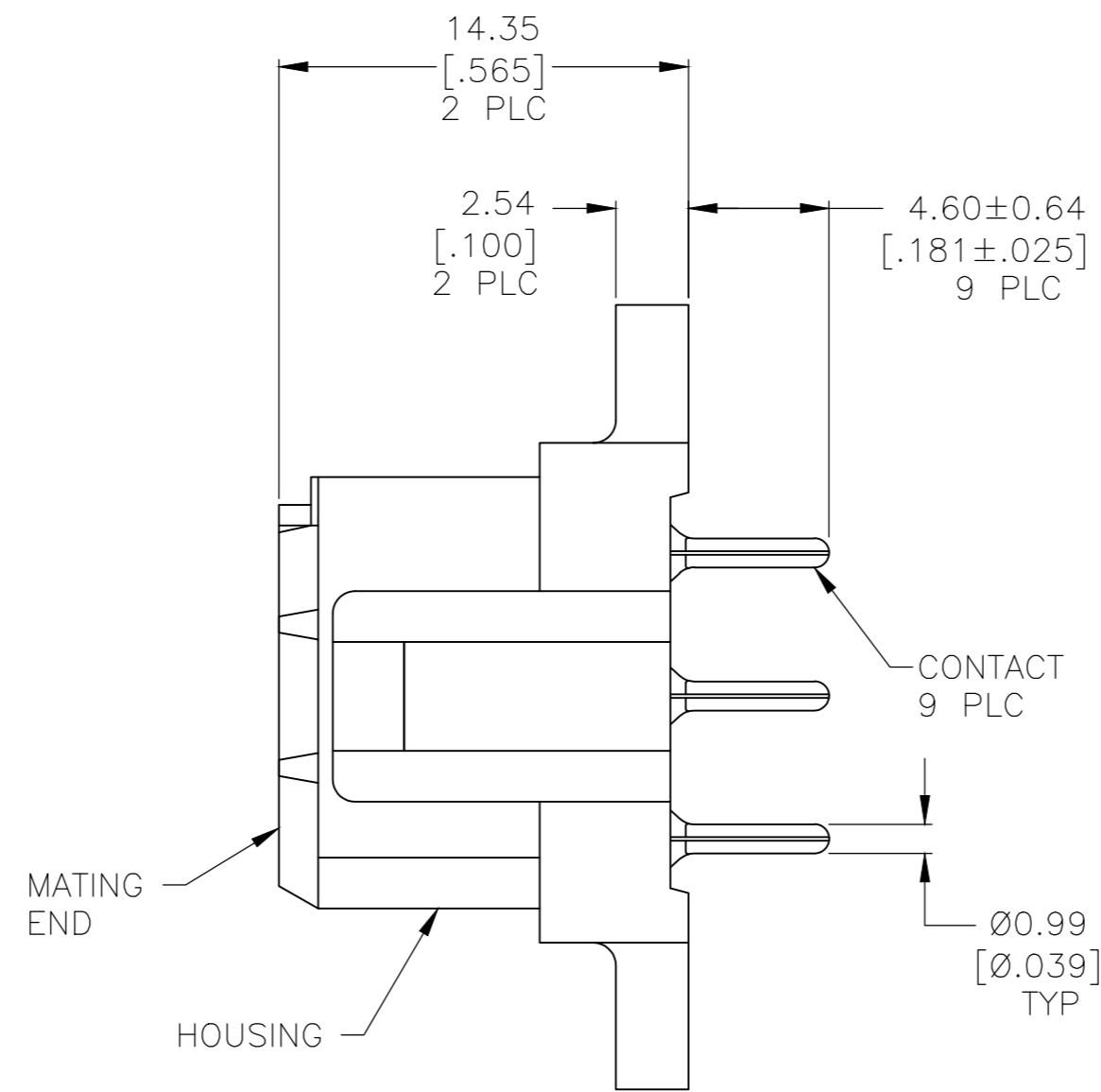
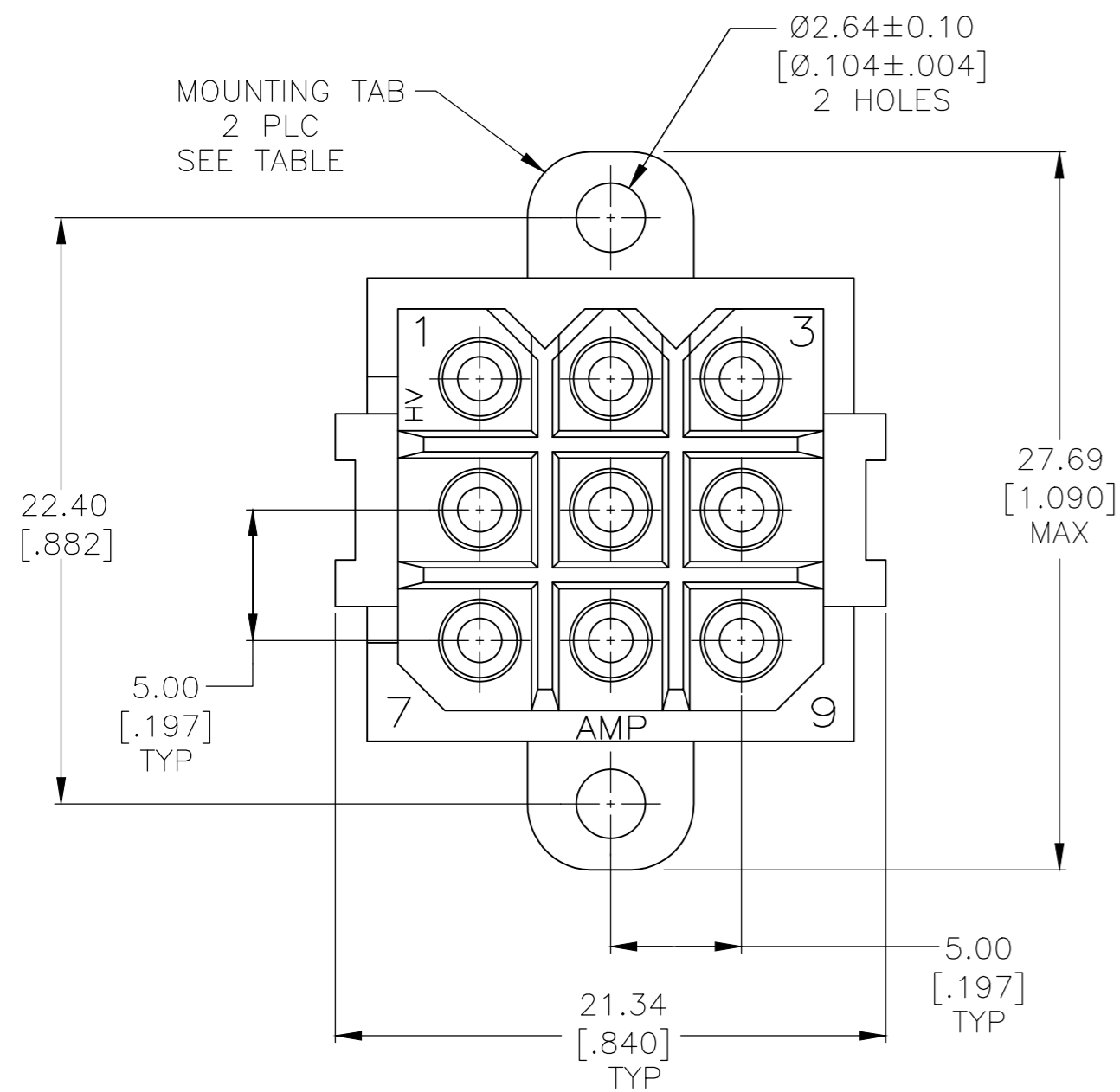


REVISIONS					
P	LTR	DESCRIPTION	DATE	DWN	APVD
P		REVISED PER ECO-17-011181	05AUG2017	RS	MZ
R		REVISED PER ECO-18-000441	24JAN2018	RS	MZ
S		REVISED PER ECO-20-002046	14FEB2020	RK	MZ



RECOMMENDED LAYOUT

- 1 HOUSING MATERIAL: PA66, BLACK, UL 94 V-0 RATED.
- 2 CONTACT MATERIAL: PHOSPHOR BRONZE.
- 3 3.81 μm [.000150] MIN TIN-LEAD OVER 1.27 μm [.000050] MIN NICKEL.
- 4 0.76 μm [.000030] MIN GOLD FOR A LENGTH OF 4.95 [.195] MIN FROM MATING END, 3.81 μm [.000150] MIN TIN-LEAD FOR A LENGTH OF 4.88 [.192] MIN ON OPPOSITE END, BOTH OVER 1.27 μm [.000050] MIN NICKEL.
- 5 3.81 μm [.000150] MIN TIN OVER 1.27 μm [.000050] MIN NICKEL.
- 6 0.76 μm [.000030] MIN GOLD FOR A LENGTH OF 4.95 [.195] MIN FROM MATING END, 3.81 μm [.000150] MIN TIN FOR A LENGTH OF 4.88 [.192] MIN ON OPPOSITE END, BOTH OVER 1.27 μm [.000050] MIN NICKEL.

6	NO	1-207526-0
6	YES	207526-9
5	NO	207526-8
5	YES	207526-7
4	NO	207526-4
4	YES	207526-3
3	NO	207526-2
3	YES	207526-1
CONTACT FINISH		MOUNTING TABS
PART NO		

THIS DRAWING IS A CONTROLLED DOCUMENT.		DWN	03/20/92	L.SIPE	
DIMENSIONS: mm [INCHES]		CHK	3-25-92	R.STONE	
TOLERANCES UNLESS OTHERWISE SPECIFIED:		APVD	-	NAME	
0 PLC \pm -		PRODUCT SPEC	-	108-10033	
1 PLC \pm -		APPLICATION SPEC	-	SIZE	A2
2 PLC ± 0.25 [.010]		WEIGHT	-	CAGE CODE	00779
3 PLC \pm -		CONTACT: SEE TABLE	-	DRAWING NO	C=207526
4 PLC \pm -		MATERIAL	SEE NOTE	RESTRICTED TO	-
ANGLES \pm -		FINISH	SEE TABLE	SCALE	4:1
MATERIAL		CONTACT: SEE TABLE	SEE NOTE	SHEET	1 of 1
SEE NOTE		CONTACT: SEE TABLE	SEE NOTE	REV	S
CUSTOMER DRAWING		SCALE 4:1		SHEET 1 of 1	

X-ON Electronics

Largest Supplier of Electrical and Electronic Components

Click to view similar products for [Headers & Wire Housings](#) category:

Click to view products by [TE Connectivity](#) manufacturer:

Other Similar products are found below :

[892-18-020-10-001101](#) [58102-G61-06LF](#) [582553-1](#) [0009485154](#) [009176003701906](#) [0050291907](#) [LY20-4P-DT1-P1E-BR](#) [02.125.8002.8](#)
[609-3404](#) [61062-3](#) [61082-181009](#) [622-3653LF](#) [63453-116](#) [636-1030](#) [636-1427](#) [636-3427](#) [636-4007](#) [641938-9](#) [641991-4](#) [644827-2](#) [65817-](#)
[010LF](#) [65817-015LF](#) [65863-015LF](#) [66207-023LF](#) [67095-007LF](#) [67601157](#) [68645-018](#) [68648-049](#) [70.362.1628.0](#) [70-4210](#) [70-4226B](#) [70-](#)
[4853B](#) [707-5020](#) [707-5028](#) [71.350.2428.0](#) [71918-208LF](#) [71961-016LF](#) [733-134](#) [733-162](#) [754199-000](#) [760-3052](#) [787-8014-00](#) [79531-3000](#)
[FCN-360C032-B](#) [FCN-367T-T012/H](#) [FCN-723D010/2](#) [80.063.4001.1](#) [800-90-001-10-001000](#) [800-90-010-10-002000](#) [801-43-002-10-013000](#)