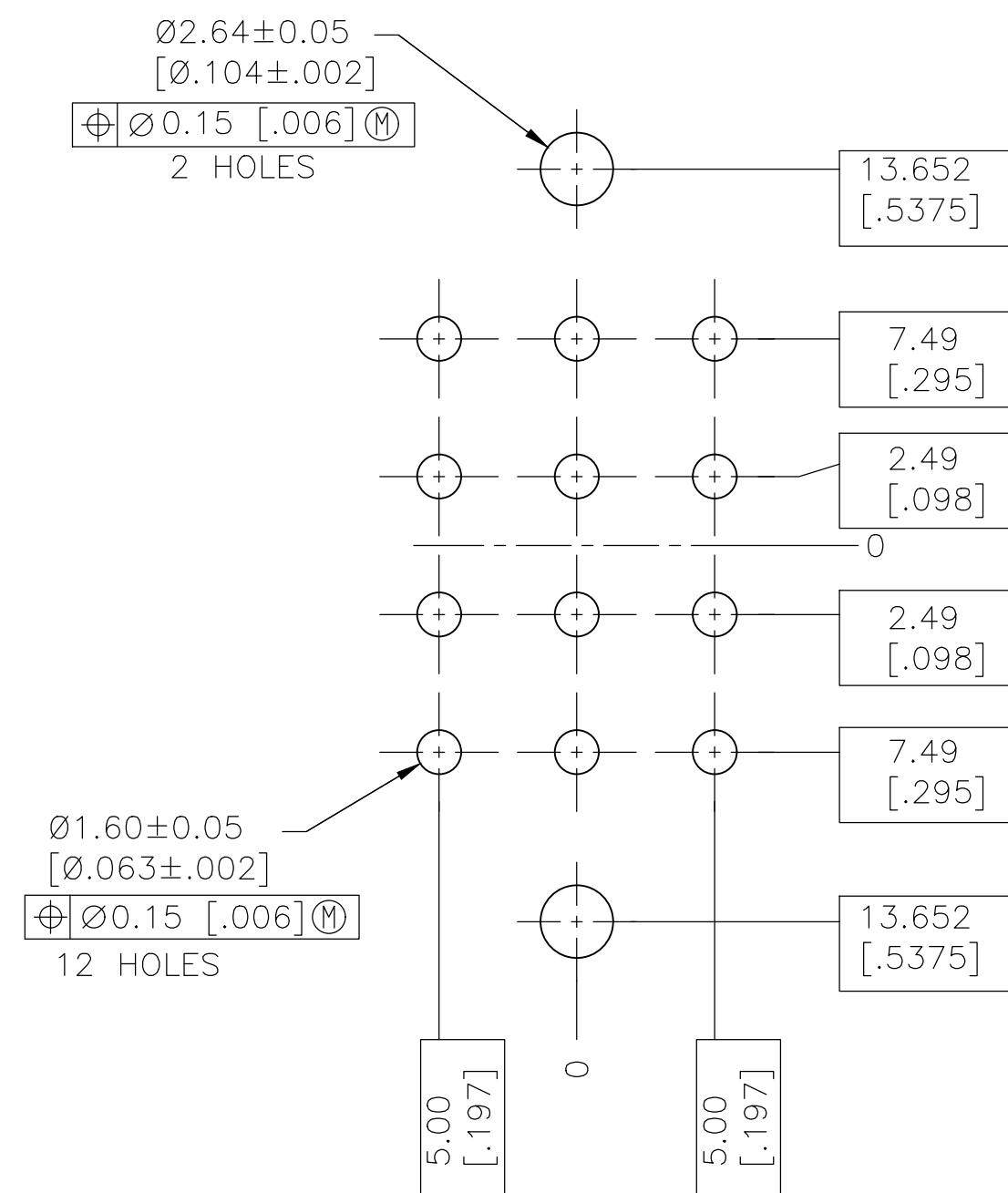
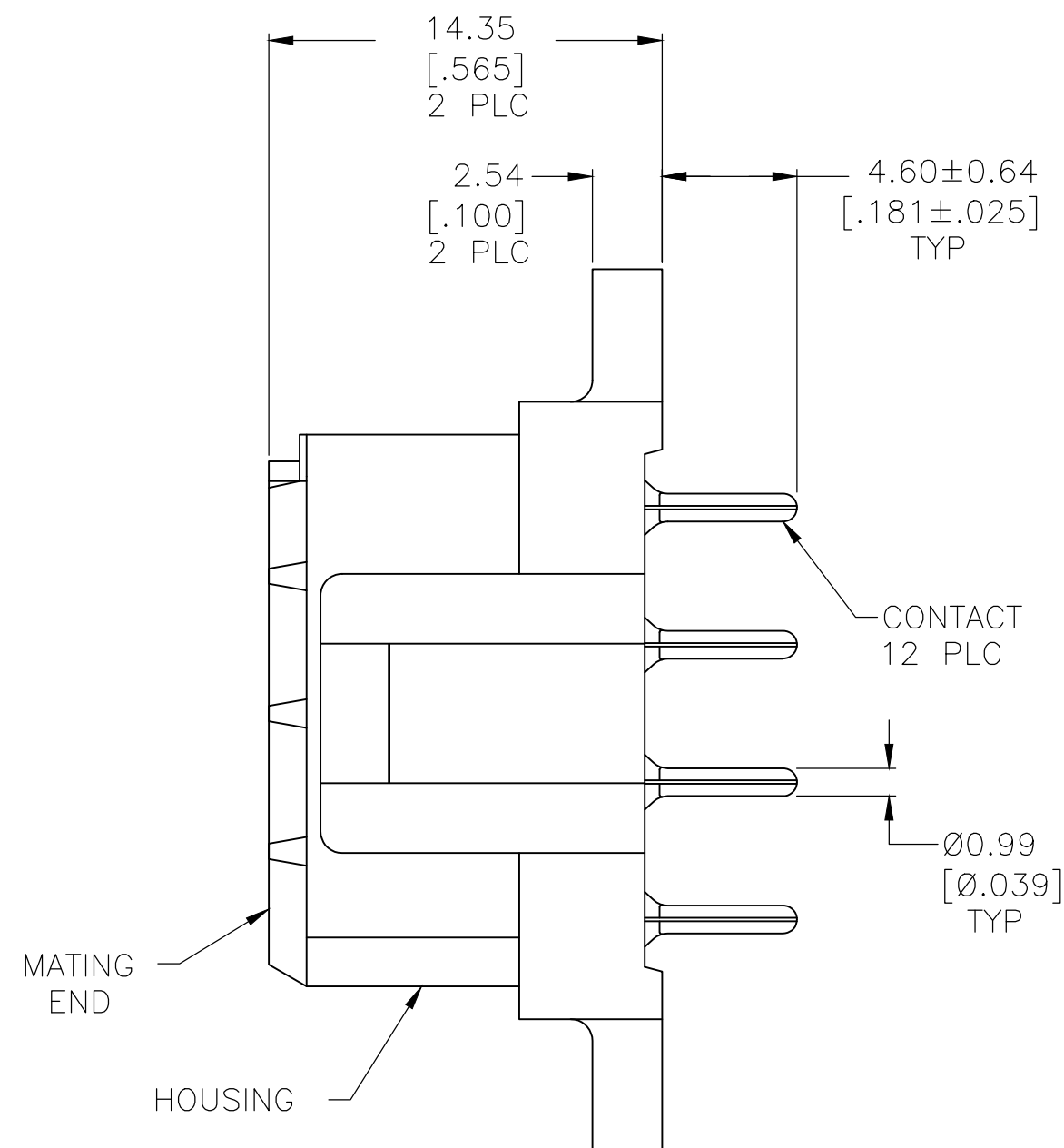
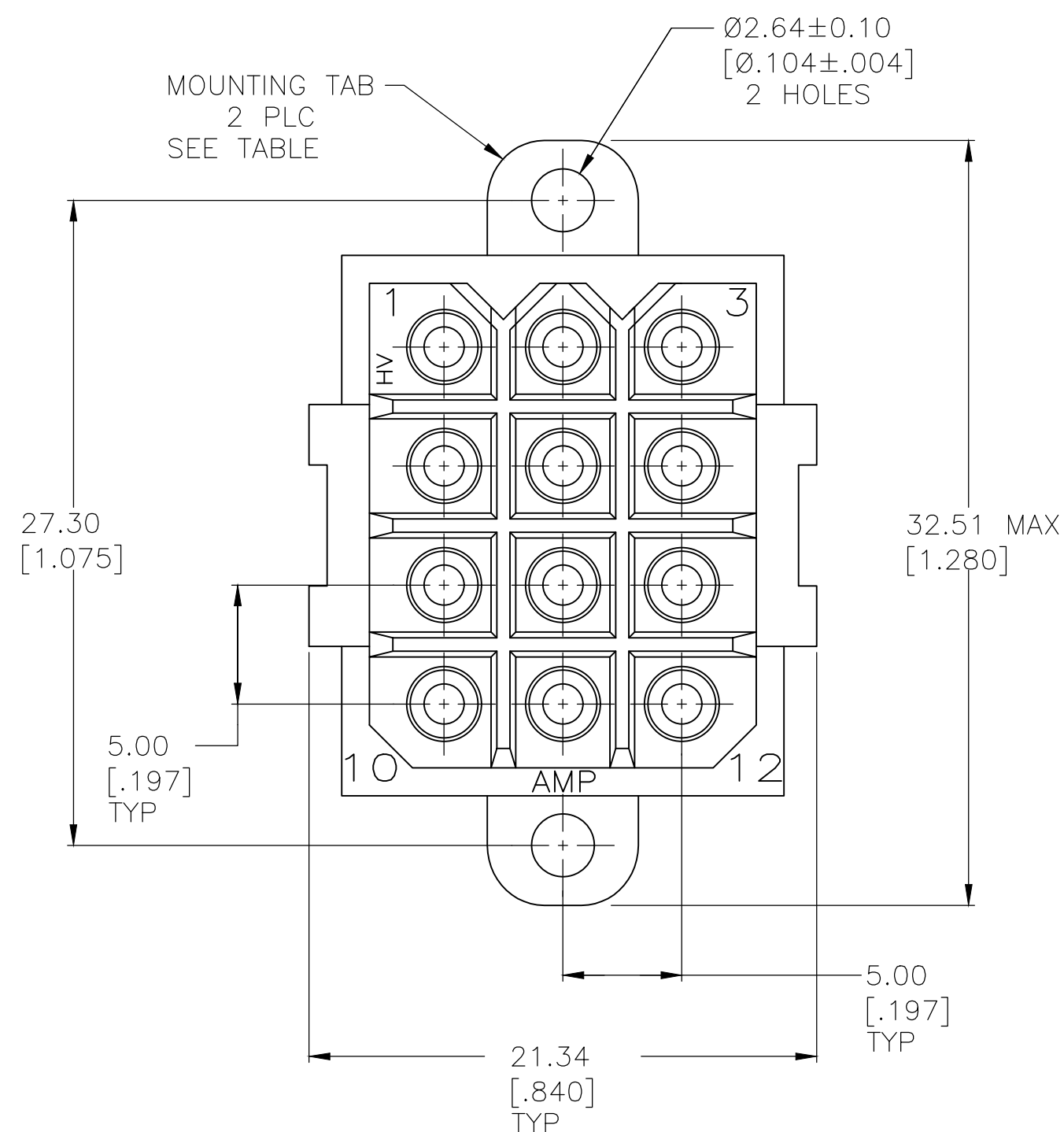


REVISIONS					
P	LTR	DESCRIPTION	DATE	DWN	APVD
M		REVISED PER ECO-16-004940	06AUG2016	NK	MZ
N		REVISED PER ECO-18-000441	24JAN2018	RS	MZ
P		REVISED PER ECO-20-002046	14FEB2020	RK	MZ



RECOMMENDED LAYOUT

- 1 HOUSING MATERIAL: PA66, BLACK, UL 94 V-0 RATED
- 2 CONTACT MATERIAL: PHOSPHOR BRONZE.
- 3 3.81um [.000150] MIN TIN-LEAD OVER 1.27um [.000050] MIN NICKEL.
- 4 0.76um [.000030] MIN GOLD FOR A LENGTH OF 4.95 [.195] MIN FROM MATING END, 3.81um [.000150] MIN TIN-LEAD FOR A LENGTH OF 4.88 [.192] MIN ON OPPOSITE END, BOTH OVER 1.27um [.000050] MIN NICKEL.
- 5 .000150 MIN TIN OVER .000050 MIN NICKEL.
- 6 0.76um [.000030] MIN GOLD FOR A LENGTH OF 4.95 [.195] MIN FROM MATING END, 3.81um [.000150] MIN TIN FOR A LENGTH OF 4.88 [.192] MIN ON OPPOSITE END, BOTH OVER 1.27um [.000050] MIN NICKEL.

6	NO	1-207528-0
6	YES	207528-9
5	NO	207528-8
5	YES	207528-7
4	NO	207528-4
4	YES	207528-3
3	NO	207528-2
3	YES	207528-1
CONTACT FINISH		MOUNTING TABS
CONTACT FINISH		PART NO

THIS DRAWING IS A CONTROLLED DOCUMENT.		DWN 03/19/92		
		L.SIPE 3-25-92		
DIMENSIONS: INCHES		CHK R.STONE 3-25-92	NAME	
TOLERANCES UNLESS OTHERWISE SPECIFIED:		APVD A.TRAVIS 3-25-92	PRODUCT SPEC	
		APPLICATION SPEC	108-10033	
MATERIAL SEE NOTE		FINISH	WEIGHT	SIZE A2
CONTACT: SEE TABLE		WEIGHT	CAGE CODE 00779	DRAWING NO C=207528
CUSTOMER DRAWING		SCALE 4:1	SHEET 1 OF 1	REV P

X-ON Electronics

Largest Supplier of Electrical and Electronic Components

Click to view similar products for [Pin & Socket Connectors](#) category:

Click to view products by [TE Connectivity](#) manufacturer:

Other Similar products are found below :

[6450822-1](#) [770392-1](#) [794042-1](#) [796885-1](#) [8-794535-1](#) [881459-2](#) [R929993003](#) [1-350779-3](#) [1403611-1](#) [1-480349-5](#) [1586092-1](#) [1586129-1](#)
[1586487-1](#) [1586681-4](#) [1586700-1](#) [1586065-1](#) [1586077-1](#) [1586368-1](#) [1586380-1](#) [1586680-5](#) [1586681-2](#) [1604996-1](#) [16-06-0038](#) [164164-5](#) [1-](#)
[6609930-1](#) [172296-1](#) [1-794714-6](#) [19-09-2035](#) [1969804-1](#) [200503-1](#) [200788-2](#) [201046-7](#) [202648-4](#) [2029076-2](#) [2029090-4](#) [2029095-4](#) [2-](#)
[66102-6](#) [925061-7](#) [926681-1](#) [293734-4](#) [293737-2](#) [1-765362-4](#) [1-794606-3](#) [1871534-1](#) [1969795-1](#) [1969798-1](#) [1969800-1](#) [200833-4](#)
[2008625-2](#) [2029027-2](#)