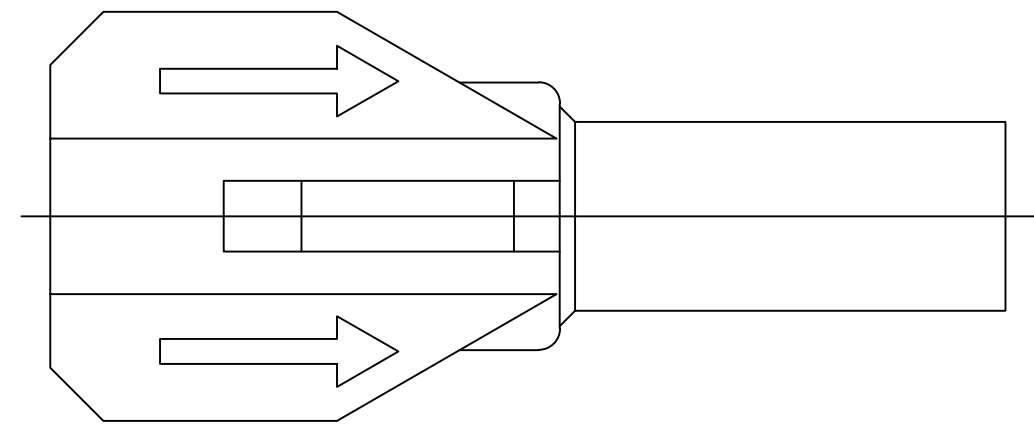
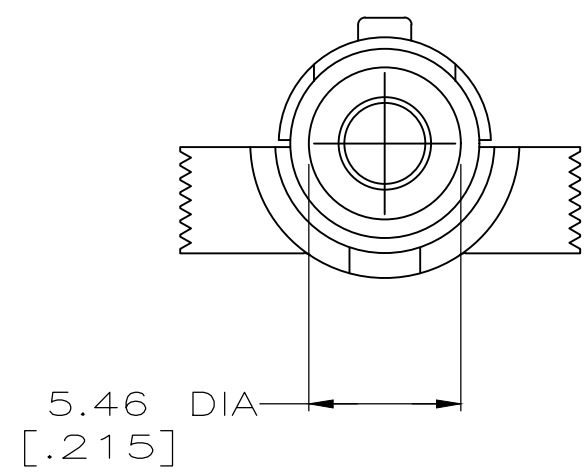
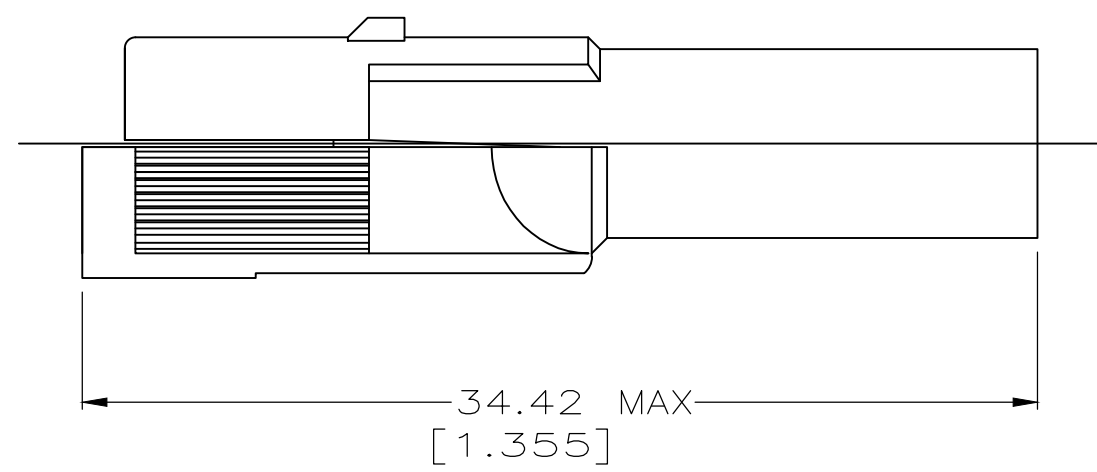
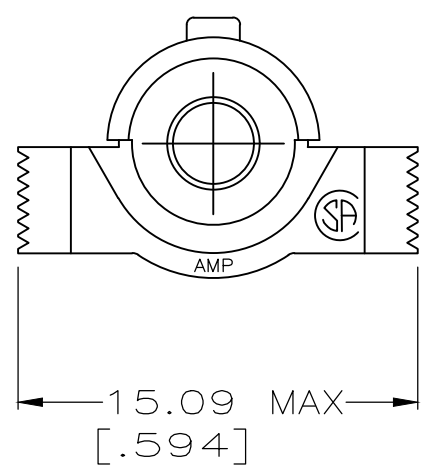


THIS DRAWING IS UNPUBLISHED. RELEASED FOR PUBLICATION  
 © COPYRIGHT - TE Connectivity Ltd. ALL RIGHTS RESERVED.

REVISIONS				
P	LTR	DESCRIPTION	DATE	APVD
G		ECO-20-001558	06FEB2020	SG MZ



OBSOLETE	207535-3
OBSOLETE	207535-2
	207535-1
PART NUMBER	

1. PRODUCT PERFORMANCE IN COMPLIANCE WITH APPLICABLE PORTIONS OF AMP PRODUCT SPECIFICATION 108-10033.

HOUSING MATERIAL: PA66, BLACK, UL 94 V-0 RATED.

THIS DRAWING IS A CONTROLLED DOCUMENT.		DWN J. GALLUCCI BG 14 AUG 91	TE Connectivity				
DIMENSIONS: mm [INCHES]		CHK J. McCLINTON 23 SEP 91					
TOLERANCES UNLESS OTHERWISE SPECIFIED: 0 PLC ± - 1 PLC ± - 2 PLC ± - 3 PLC ± 0.25[.010] 4 PLC ± - ANGLES ± -		APVD A. TRAVIS 23 SEP 91	NAME HOUSING, HERMAPHRODITIC, SINGLE, FREE HANGING, METRIMATE				
		PRODUCT SPEC -	APPLICATION SPEC -	SIZE A3	CAGE CODE 00779	DRAWING NO C-207535	RESTRICTED TO -
MATERIAL 	FINISH -	WEIGHT -	CUSTOMER DRAWING		SCALE 4:1	SHEET 1 of 1	REV G

## X-ON Electronics

Largest Supplier of Electrical and Electronic Components

*Click to view similar products for [Headers & Wire Housings](#) category:*

*Click to view products by [TE Connectivity](#) manufacturer:*

Other Similar products are found below :

[892-18-020-10-001101](#) [58102-G61-06LF](#) [582553-1](#) [0009485154](#) [009176003701906](#) [0050291907](#) [LY20-4P-DT1-P1E-BR](#) [02.125.8002.8](#)  
[609-3404](#) [61062-3](#) [61082-181009](#) [622-3653LF](#) [63453-116](#) [636-1030](#) [636-1427](#) [636-3427](#) [636-4007](#) [641938-9](#) [641991-4](#) [644827-2](#) [65817-010LF](#) [65817-015LF](#) [65863-015LF](#) [66207-023LF](#) [67095-007LF](#) [67601157](#) [68645-018](#) [68648-049](#) [70.362.1628.0](#) [70-4210](#) [70-4226B](#) [70-4853B](#) [707-5020](#) [707-5028](#) [71.350.2428.0](#) [71918-208LF](#) [71961-016LF](#) [733-134](#) [733-162](#) [754199-000](#) [760-3052](#) [787-8014-00](#) [79531-3000](#)  
[FCN-360C032-B](#) [FCN-367T-T012/H](#) [FCN-723D010/2](#) [80.063.4001.1](#) [800-90-001-10-001000](#) [800-90-010-10-002000](#) [801-43-002-10-013000](#)