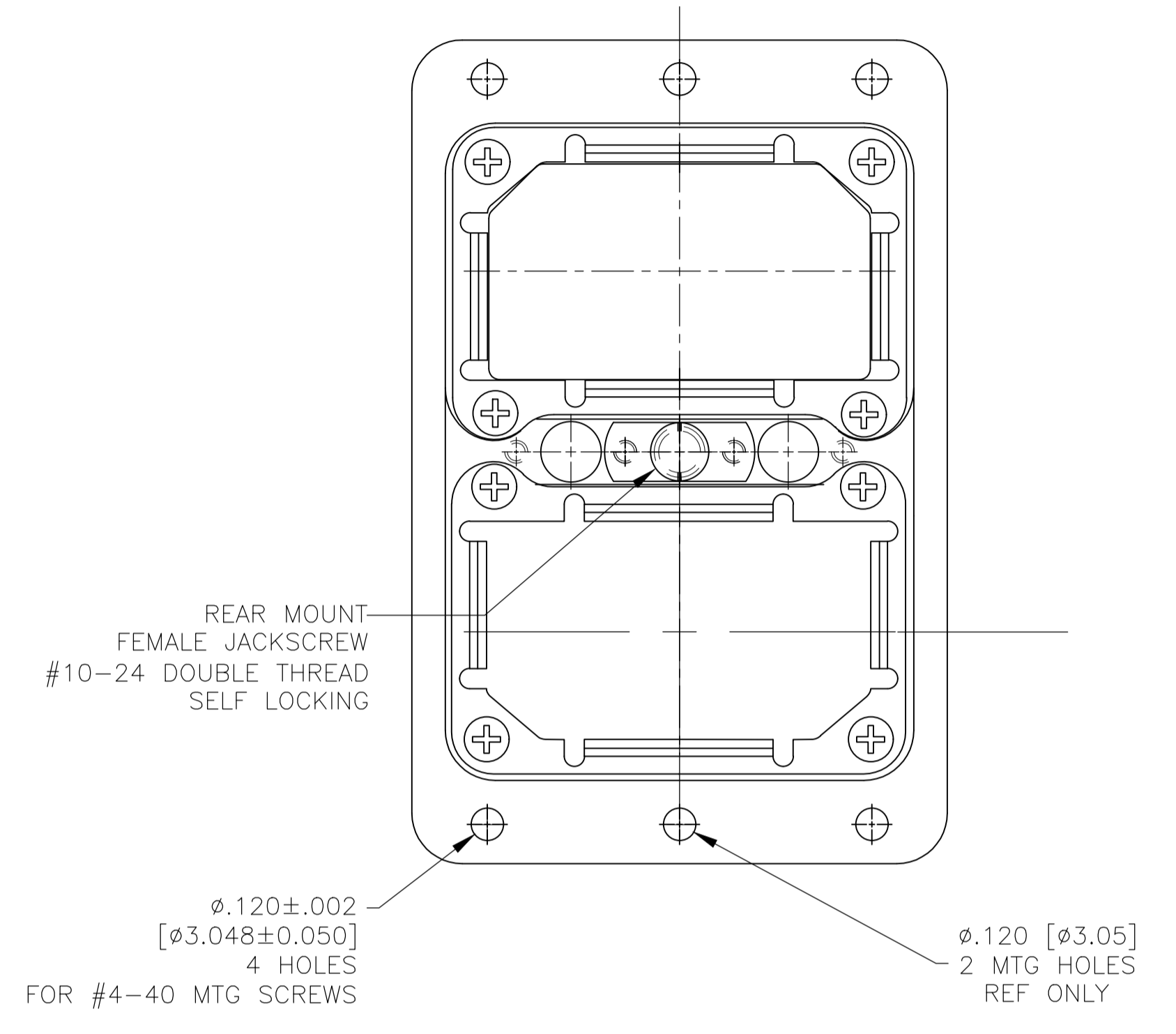
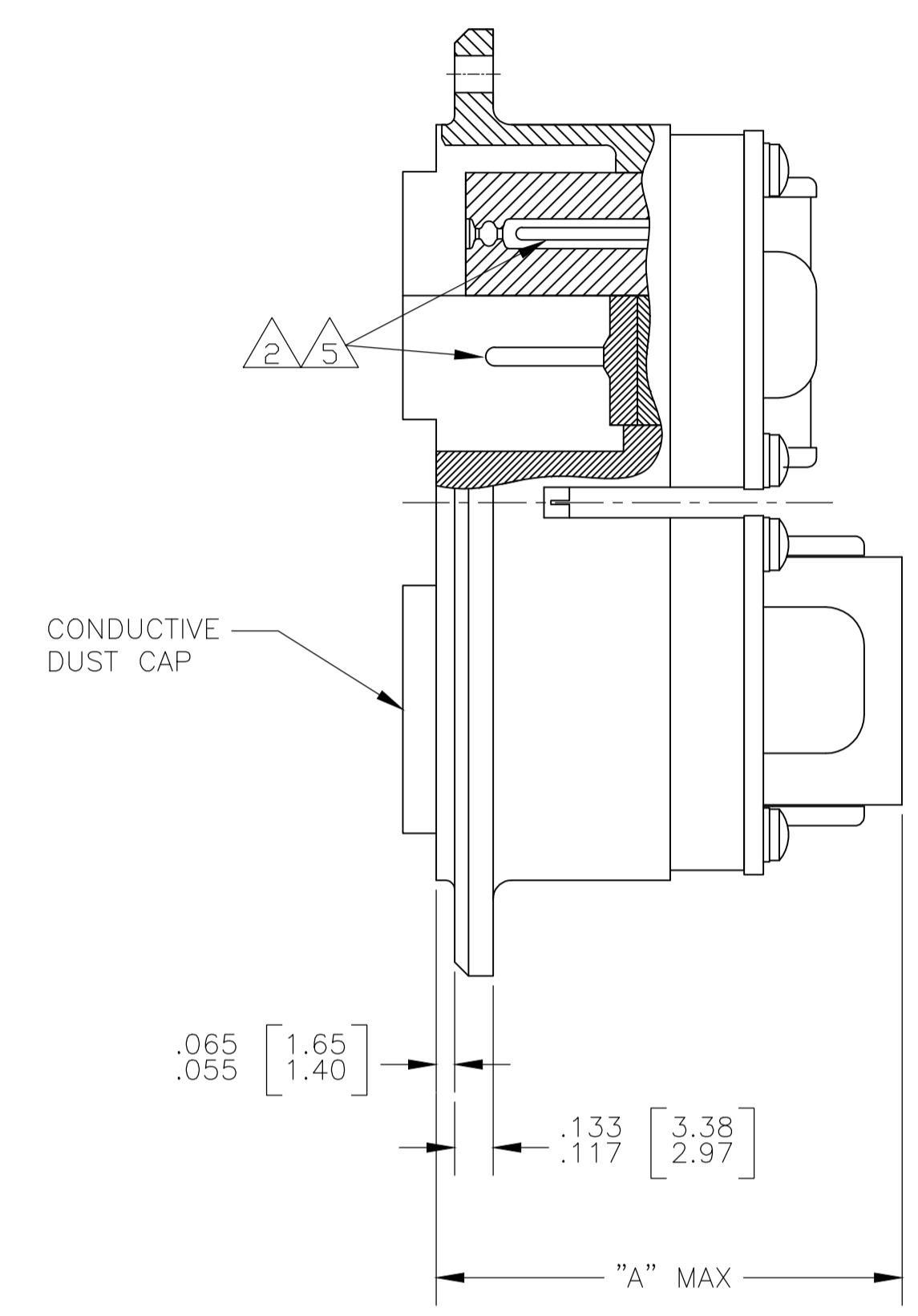
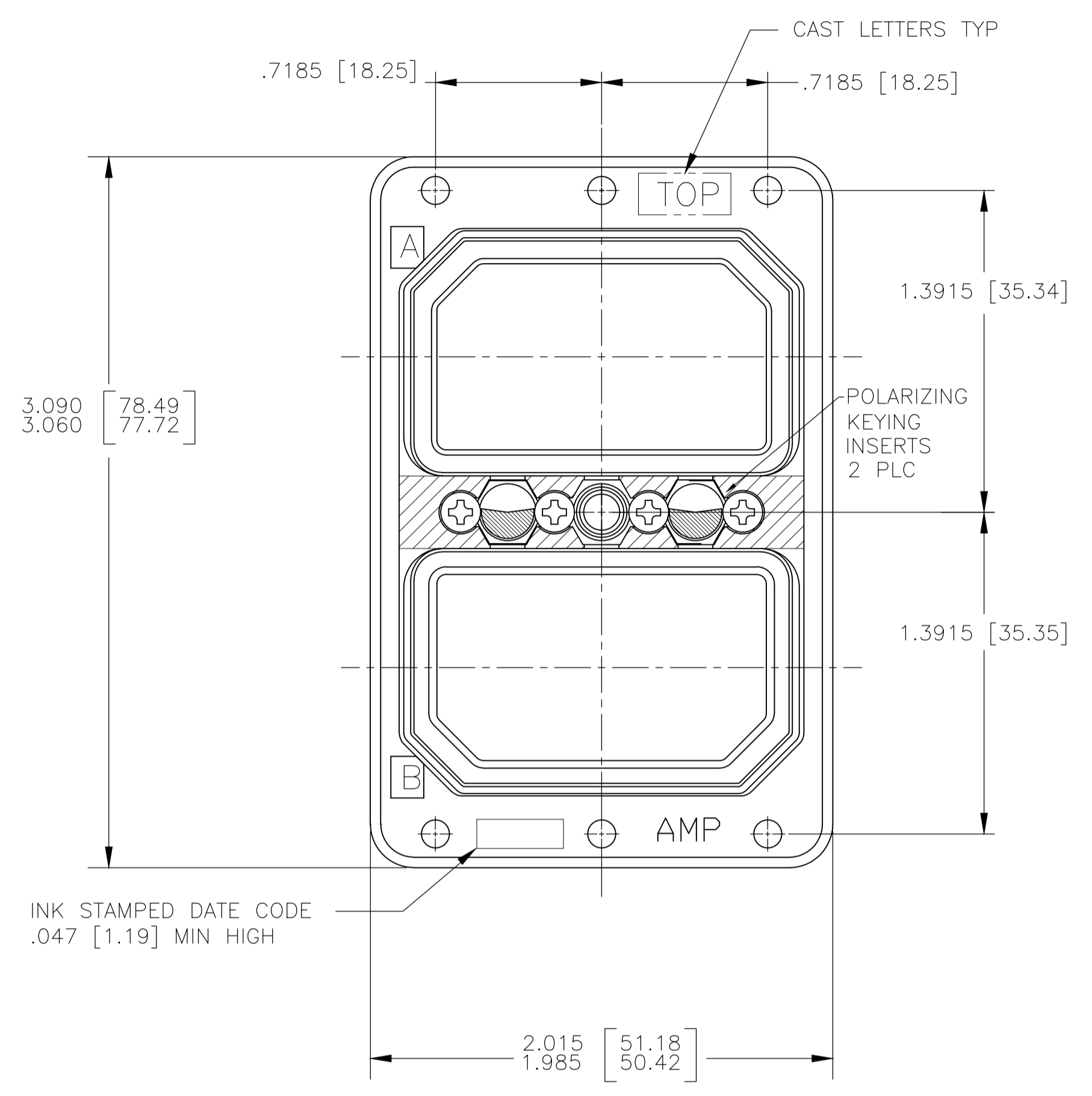
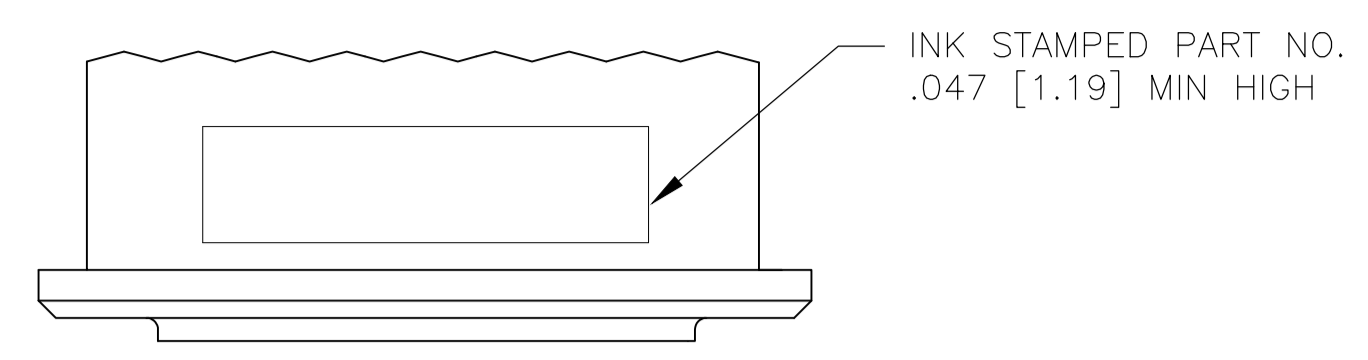


REVISIONS					
P	LTR	DESCRIPTION	DATE	DMN	APVD
W		REVISED PER ECO-19-018407	12-4-19	CT	RL



- MATERIAL AND FINISH  
SHELL: DIE CAST ALUM. ALLOY PER FED SPEC QQ-A-591  
FINISH: TYPE II CADMIUM PLATE (YELLOW) PER QQ-P-416  
INSULATOR HARD: EPOXY PER MIL-M-24325; SOFT: SILICONE RUBBER  
GROMMET PROTECTORS: ALUM. ALLOY, FINISH: BLUE EPOXY  
POLARIZING KEYING INSERTS & SCREWS: STAINLESS STEEL  
FEMALE JACKSCREW: STAINLESS STEEL  
SCREWS & WASHERS: STEEL. FINISH: CAD, PLATED PER QQ-P-416  
DUST CAPS: CONDUCTIVE BLACK THERMOPLASTIC

- CONTACTS SHOWN IN POSITION FOR ILLUSTRATION ONLY, ARE INCLUDED IN A CONTAINER WITHIN CONNECTOR PACKAGE FOR SHIPMENT, EXCEPT P/N'S 1-207595-2 THRU 2-207595-1
- CONNECTOR MEETS AMP PRODUCT SPEC 108-10, 019
- COAX CONTACTS & SEALING BOOTS MUST BE ORDERED SEPARATELY

- ALL METRIC DIMENSIONS ARE SHOWN IN PARENTHESIS
- FOR MATING CONNECTOR SEE 207596
- CONNECTORS ORDERED LESS CONTACTS WILL BE MARKED WITH SAME P/N AS CONNECTORS ORDERED WITH CONTACTS

	INSERT ARRANGEMENT			
	26	32C2	67	106
"A" MAX	1.525 [38.74]	1.700 [43.18]	1.525 [38.74]	1.279 [32.49]

PART NO.	ARRANGEMENT		PART NO. <sup>8</sup> LESS CONTACTS		
	MODULE A	MODULE B			
207595-1	106P	67S	1-207595-2	OBSOLETE	
207595-2	106P	26S	1-207595-3	OBSOLETE	
OBSOLETE	207595-3	106P	106P	1-207595-4	OBSOLETE
OBSOLETE	207595-4	106P	106S	1-207595-5	OBSOLETE
	207595-5	106S	106S	1-207595-6	OBSOLETE
OBSOLETE	207595-6	106S	26P	1-207595-7	OBSOLETE
OBSOLETE	207595-7	106S	67P	1-207595-8	OBSOLETE
OBSOLETE	207595-8	67S	67S	1-207595-9	OBSOLETE
	207595-9	106S	32C2P	2-207595-0	OBSOLETE
OBSOLETE	1-207595-0	106P	32C2S	2-207595-1	OBSOLETE
OBSOLETE	1-207595-1	NO INSERT	NO INSERT	-	

THIS DRAWING IS A CONTROLLED DOCUMENT.

DMN: C.C.THOMAS 21MAR02  
CHK: J.MARKEY 3-25-02  
APVD: J.MARKEY 3-25-02

TE Connectivity

RECEPTACLE CONNECTOR INSTALLATION (WITH CENTER FEMALE JACKSCREW)

SIZE: A1 CAGE CODE: 00779 DRAWING NO: 207595  
WEIGHT: 0.000000

CUSTOMER DRAWING SCALE: 2:1 SHEET: 1 OF 1 REV: W

## X-ON Electronics

Largest Supplier of Electrical and Electronic Components

*Click to view similar products for [Rack & Panel Connectors](#) category:*

*Click to view products by [TE Connectivity](#) manufacturer:*

Other Similar products are found below :

[00170420102](#) [00171420202](#) [00171440002](#) [008026165000265](#) [02-014-013-5200-000](#) [613467-000](#) [CTJ112E01E-513](#) [CTJ116E03A-513](#)  
[M81714/63-22S L/C](#) [M81714/65-12-1](#) [66020-2](#) [CW8958-000](#) [699886-000](#) [D250-50632](#) [70.400.3240.0](#) [70.955.2453.3](#) [733753-000](#) [F22831-000](#) [780-522-DPX34RG8-02](#) [MMA25-0341D1](#) [8660-501](#) [87.060.0053.0](#) [900709N001](#) [QRP4-12P-C\(01\)](#) [QR/P6-6S-C\(01\)](#) [1218600-1](#) [D-659-0061](#) [DMC-MD 24 C-T](#) [1-445717-6](#) [1484398-2](#) [1484399-2](#) [1484469-2](#) [MR-34MG](#) [1604997-2](#) [1663130-1](#) [1663767-7](#) [1663767-8](#) [MTC100-BF1-P31CS015](#) [MTC100-KT2-0083](#) [MTC100-KT2-0123-003](#) [MTC100-YA1-005](#) [MTCB1X-105-XXX](#) [MTCQKT1R2PGCA](#) [MTCR-103-04S](#) [MTCX1X-100-100CS025](#) [1738331-1](#) [1757667-1](#) [1883433-1](#) [1996636-1](#) [201784-4](#)