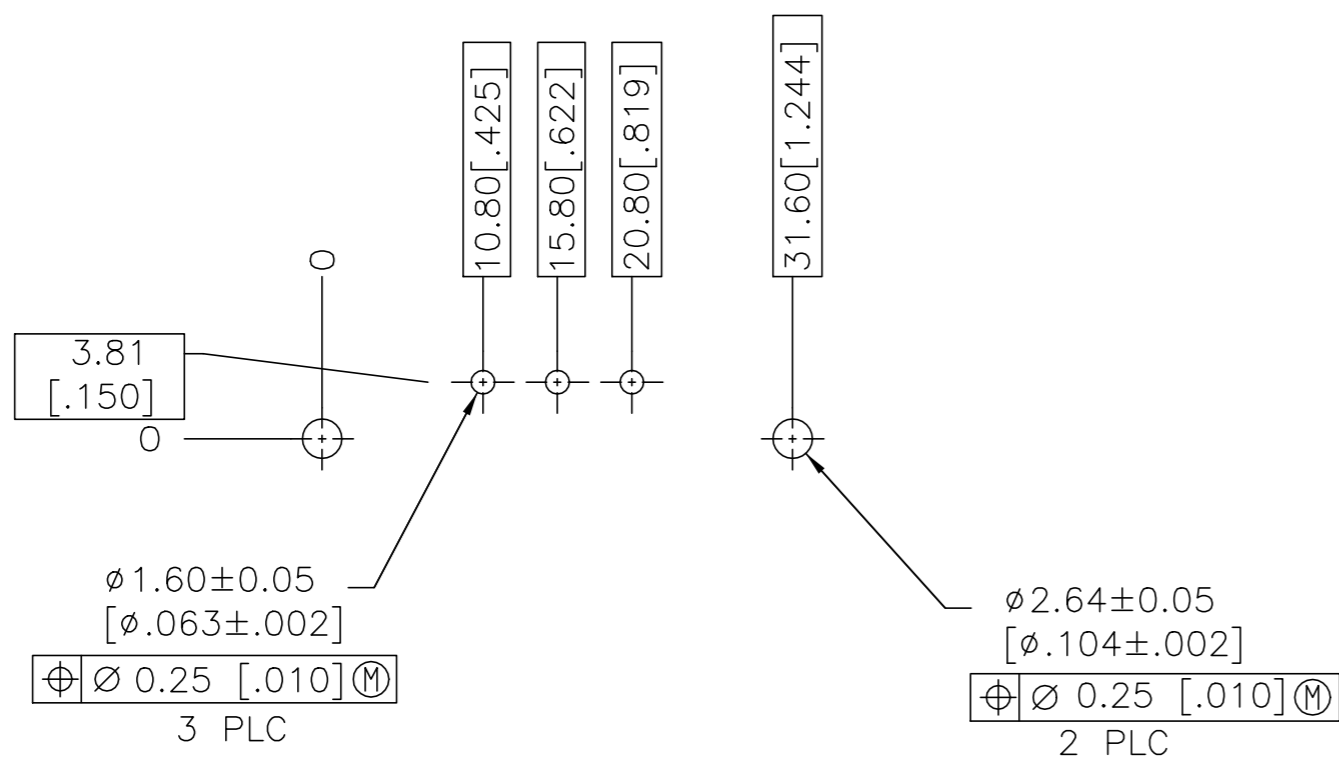
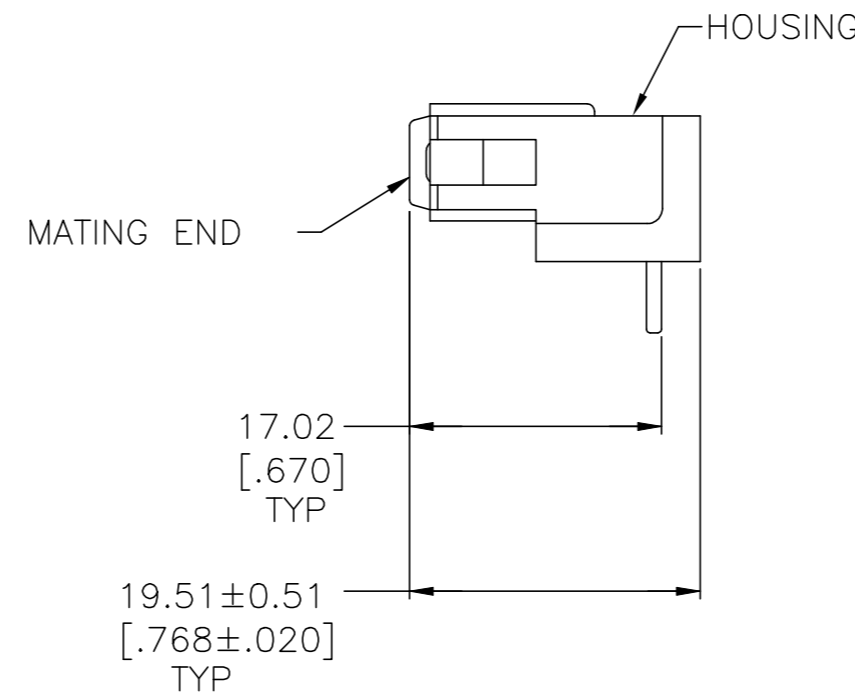
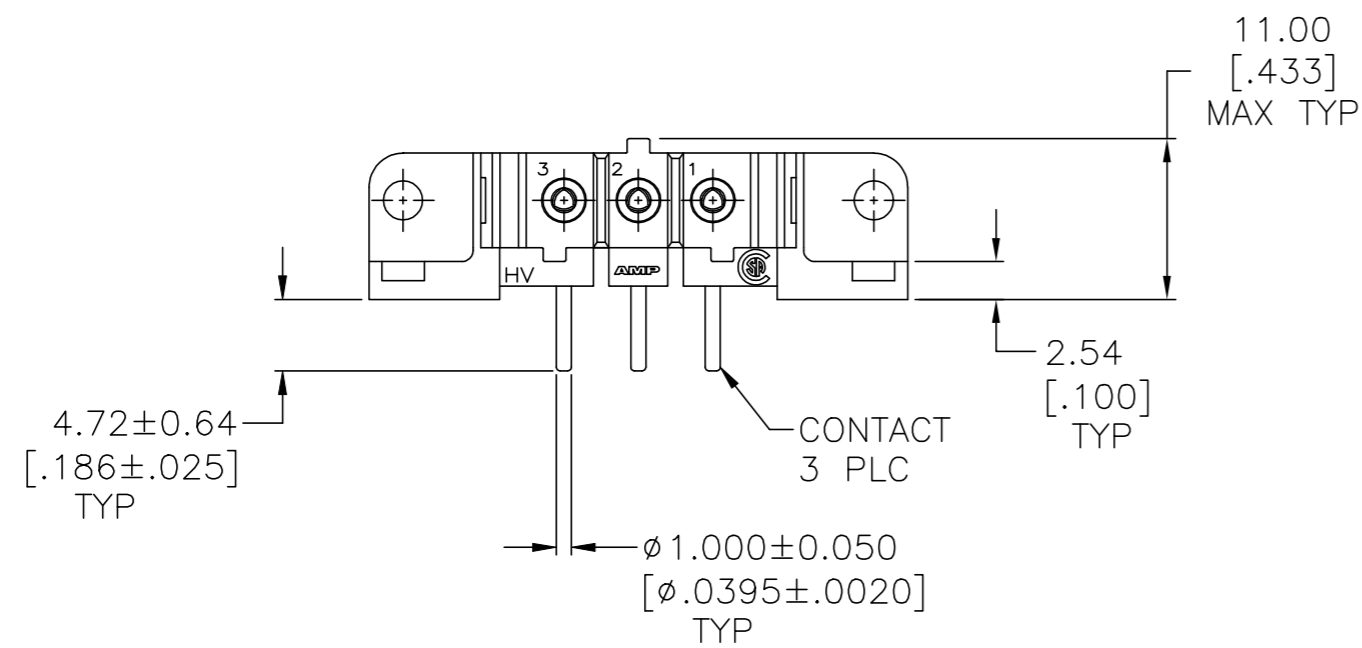
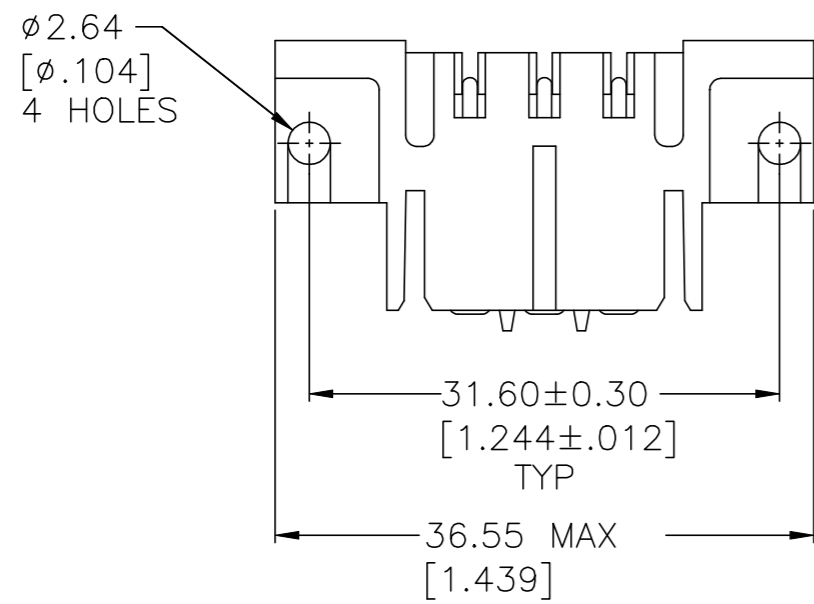


THIS DRAWING IS UNPUBLISHED. RELEASED FOR PUBLICATION  
 © COPYRIGHT - J ALL RIGHTS RESERVED.

REVISIONS					
P	LTR	DESCRIPTION	DATE	DWN	APVD
	K	REVISED PER ECO-18-000443	23JAN2018	RS	MZ
	L	REVISED PER ECO-20-001564	05FEB2020	SG	MZ



- ①  $3.81\mu\text{m}$  [ $.000150$ ] MIN TIN-LEAD OVER  $0.76\mu\text{m}$  [ $.000030$ ] MIN NICKEL.
- ②  $0.76\mu\text{m}$  [ $.000030$ ] MIN GOLD FOR A LENGTH OF  $5.08$  [ $.200$ ] MIN FROM MATING END,  $3.81\mu\text{m}$  [ $.000150$ ] MIN TIN-LEAD FOR A LENGTH OF  $5.23$  [ $.206$ ] MIN FROM OPPOSITE END, BOTH OVER  $1.27\mu\text{m}$  [ $.000050$ ] MIN NICKEL.
- ③  $3.81\mu\text{m}$  [ $.000150$ ] MIN TIN OVER  $0.76\mu\text{m}$  [ $.000030$ ] MIN NICKEL.
- ④  $0.76\mu\text{m}$  [ $.000030$ ] MIN GOLD FOR A LENGTH OF  $5.08$  [ $.200$ ] MIN FROM MATING END,  $3.81\mu\text{m}$  [ $.000150$ ] MIN TIN FOR A LENGTH OF  $5.23$  [ $.206$ ] MIN FROM OPPOSITE END, BOTH OVER  $1.27\mu\text{m}$  [ $.000050$ ] MIN NICKEL.
- ⑤ HOUSING MATERIAL: PA66, BLACK, UL 94 V-0 RATED
- ⑥ CONTACT HOOD: STAINLESS STEEL  
CONTACT BODY: PHOSPHOR BRONZE

	④	207608-7
	③	207608-6
OBSOLETE	②	207608-3
OBSOLETE	①	<del>207608-1</del>
	CONTACT FINISH	PART NO.

RECOMMENDED PC BOARD LAYOUT

THIS DRAWING IS A CONTROLLED DOCUMENT.		DWN L.SIPE 08/05/92	TE Connectivity Ltd.																			
DIMENSIONS: mm [INCHES]		CHK J.McCLINTON 8-11-92																				
TOLERANCES UNLESS OTHERWISE SPECIFIED:		APVD -	NAME																			
<table border="1"> <tr><td>0 PLC</td><td>±</td><td>-</td></tr> <tr><td>1 PLC</td><td>±</td><td>-</td></tr> <tr><td>2 PLC</td><td>±</td><td>0.25 [.010]</td></tr> <tr><td>3 PLC</td><td>±</td><td>-</td></tr> <tr><td>4 PLC</td><td>±</td><td>-</td></tr> <tr><td>ANGLES</td><td>±</td><td>-</td></tr> </table>		0 PLC	±	-	1 PLC	±	-	2 PLC	±	0.25 [.010]	3 PLC	±	-	4 PLC	±	-	ANGLES	±	-	PRODUCT SPEC 108-10033	SOCKET HEADER ASSEMBLY, 3 POSN, IN-LINE, METRIMATE	
0 PLC	±	-																				
1 PLC	±	-																				
2 PLC	±	0.25 [.010]																				
3 PLC	±	-																				
4 PLC	±	-																				
ANGLES	±	-																				
MATERIAL FINISH		APPLICATION SPEC -	SIZE A2	CAGE CODE 00779																		
CONTACTS: SEE TABLE		WEIGHT -	DRAWING NO. C=207608	RESTRICTED TO -																		
		CUSTOMER DRAWING	SCALE 2:1	SHEET 1 of 1																		

## X-ON Electronics

Largest Supplier of Electrical and Electronic Components

*Click to view similar products for [Power to the Board](#) category:*

*Click to view products by [TE Connectivity](#) manufacturer:*

Other Similar products are found below :

[10131318-08512GRLF](#) [6450171-4](#) [6450552-7](#) [6600323-8](#) [6643429-1](#) [6646040-2](#) [6651939-1](#) [6766604-1](#) [120959-1](#) [1393557-2](#) [1393532-2](#)  
[1393532-3](#) [1393532-4](#) [1600812-5](#) [1-6450861-2](#) [1645595-1](#) [1743490-1](#) [1744132-7](#) [1761122-1](#) [1766169-1](#) [1766250-1](#) [18362](#) [1892109-1](#) [1-](#)  
[967627-6](#) [2226808-1](#) [2-6450860-5](#) [2-6450860-6](#) [2-6450870-0](#) [93003-0502](#) [953552-1](#) [1-6450161-4](#) [1-6450850-6](#) [1645526-2](#) [1-6600130-0](#)  
[1743419-1](#) [1766150-1](#) [2005243-2](#) [211110-1](#) [2-6600130-2](#) [TE34-12-16P-F0](#) [5-6450830-6](#) [5646956-4](#) [36662-0005](#) [40585-3000](#) [4-6450830-9](#)  
[4-6600333-3](#) [51142-0214](#) [10134048-911LF](#) [10130248-005LF](#) [6600320-3](#)