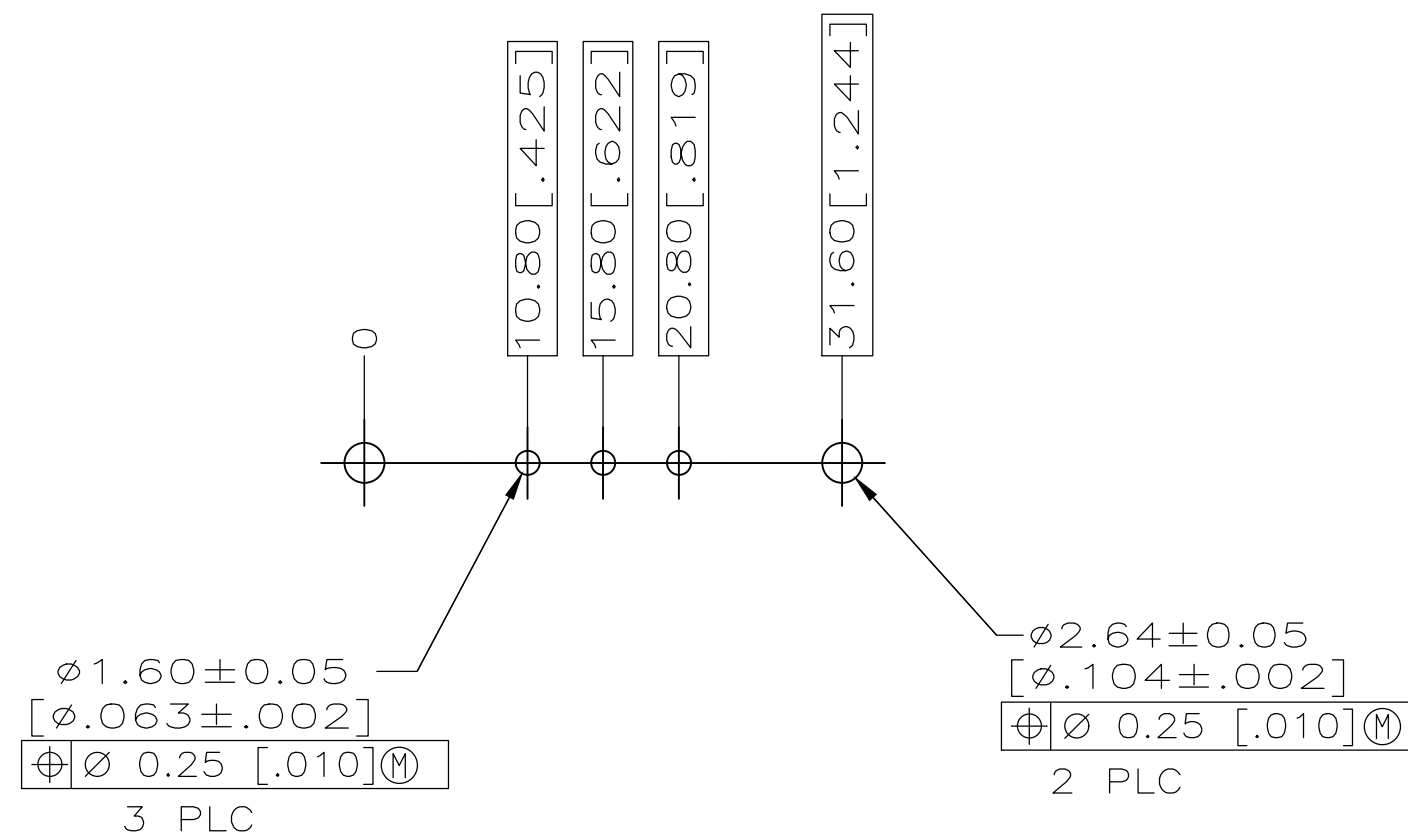
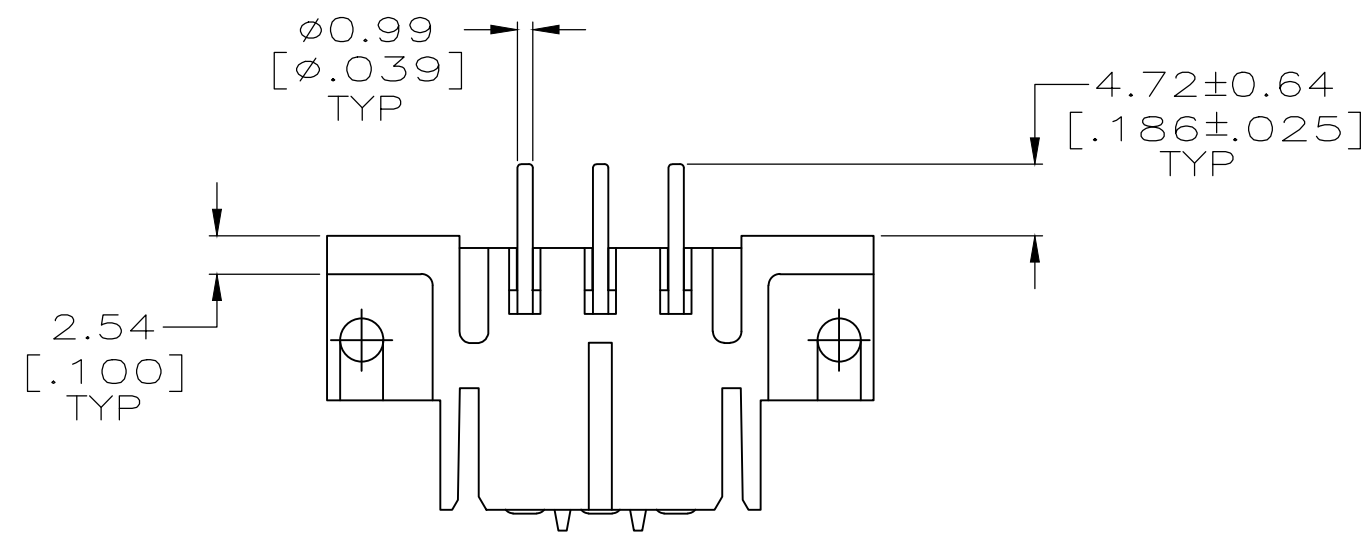
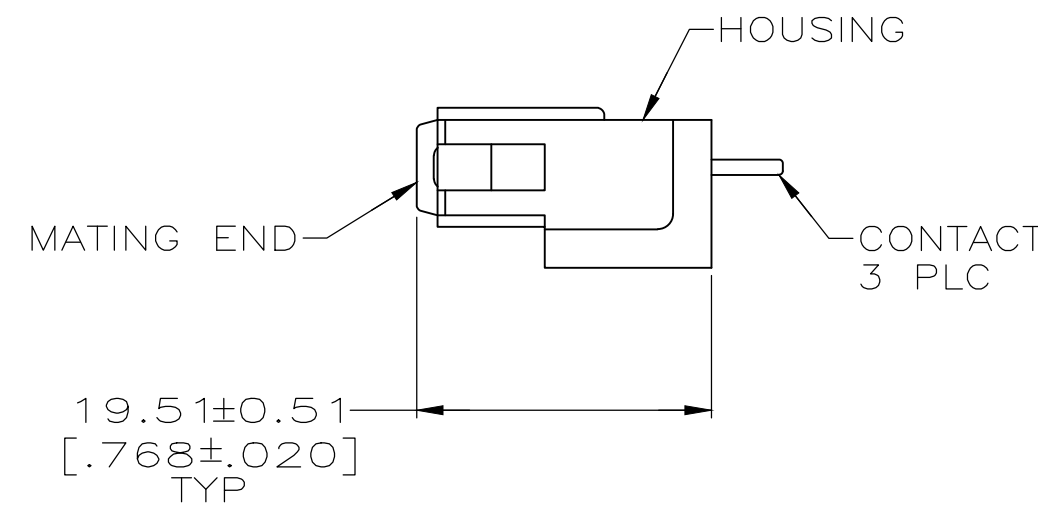
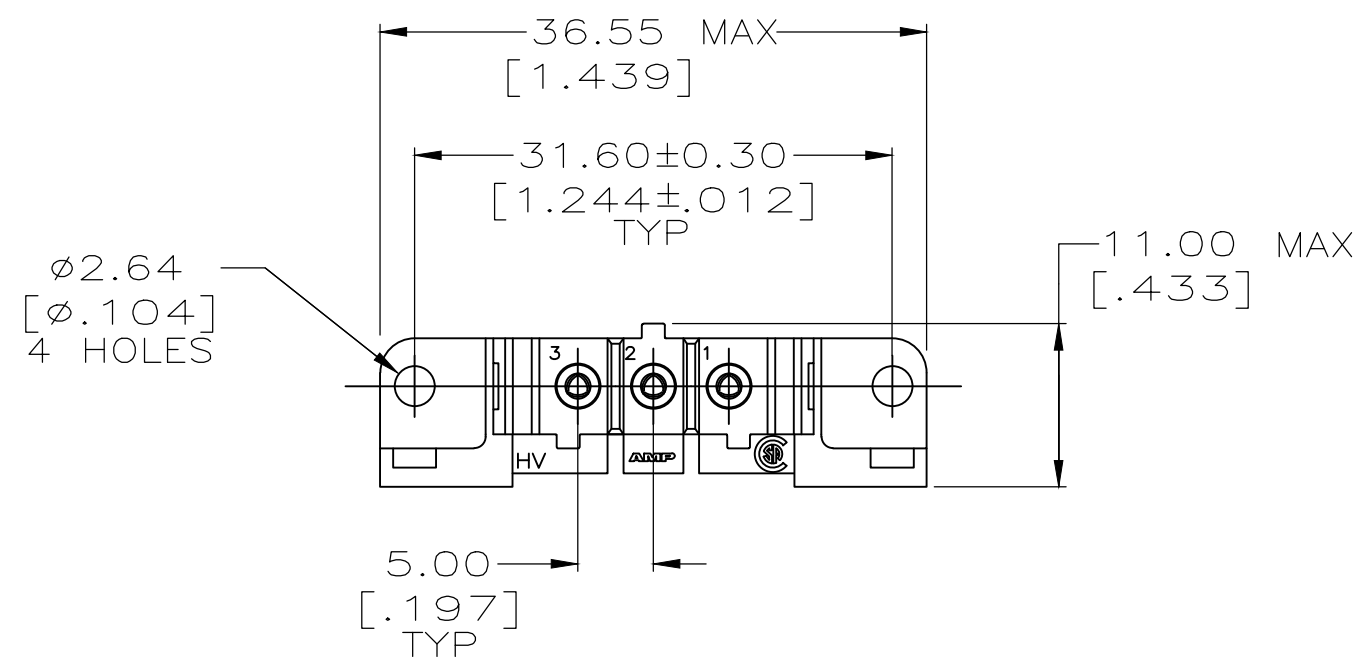


THIS DRAWING IS UNPUBLISHED. RELEASED FOR PUBLICATION
 © COPYRIGHT - By - ALL RIGHTS RESERVED.

| REVISIONS | | | | | |
|-----------|-----|---------------------------|-----------|-----|------|
| P | LTR | DESCRIPTION | DATE | DWN | APVD |
| K | | REVISED PER ECO-18-000443 | 23JAN2018 | RS | MZ |
| L | | REVISED PER ECO-20-001564 | 05FEB2020 | SG | MZ |



RECOMMENDED PC BOARD LAYOUT



① HOUSING MATERIAL: PA66, BLACK, UL 94 V-0 RATED.

② CONTACT HOOD: STAINLESS STEEL
 CONTACT BODY: PHOSPHOR BRONZE

③ 3.81um [.000150] MIN TIN-LEAD OVER 1.27um [.000050] MIN NICKEL.

④ 0.76um [.000030] MIN GOLD FOR A LENGTH OF 5.08 [.200] MIN FROM MATING END, 3.81um [.000150] MIN TIN-LEAD FOR A LENGTH OF 5.36 [.211] MIN FROM OPPOSITE END, BOTH OVER 1.27um [.000050] MIN NICKEL.

⑤ 3.81um [.000150] MIN TIN OVER 1.27um [.000050] MIN NICKEL.

⑥ 0.76um [.000030] MIN GOLD FOR A LENGTH OF 5.08 [.200] MIN FROM MATING END, 3.81um [.000150] MIN TIN FOR A LENGTH OF 5.36 [.211] MIN FROM OPPOSITE END, BOTH OVER 1.27um [.000050] MIN NICKEL.

| | | |
|----------|----------------|----------|
| | ⑥ | 207609-7 |
| | ⑤ | 207609-6 |
| OBSOLETE | ④ | 207609-3 |
| OBSOLETE | ③ | 207609-1 |
| | CONTACT FINISH | PART NO |

| | | | | | | |
|---|--|-------------------|----------|--|----------------------|---------------|
| THIS DRAWING IS A CONTROLLED DOCUMENT. | | DWN | L.SIPE | 08/07/92 | TE Connectivity Ltd. | |
| DIMENSIONS: mm [INCHES] | | CHK | R.STONE | 8-25-92 | | |
| TOLERANCES UNLESS OTHERWISE SPECIFIED: | | APVD | A.TRAVIS | 8-25-92 | NAME | |
| 0 PLC ± - 1 PLC ± - 2 PLC ± 0.25 [.010] 3 PLC ± - 4 PLC ± - ANGLES ± - | | PRODUCT SPEC | | SOCKET HEADER ASSEMBLY, 3 POSN, IN-LINE, METRIMATE | | |
| MATERIAL | | FINISH | | WEIGHT | SIZE | CAGE CODE |
| CONTACTS: SEE TBL | | CONTACTS: SEE TBL | | SCALE | DRAWING NO | RESTRICTED TO |
| | | | | 2:1 | A2 00779 | REV L |
| | | | | CUSTOMER DRAWING | | SHEET 1 OF 1 |

X-ON Electronics

Largest Supplier of Electrical and Electronic Components

Click to view similar products for [Headers & Wire Housings](#) category:

Click to view products by [TE Connectivity](#) manufacturer:

Other Similar products are found below :

[892-18-020-10-001101](#) [58102-G61-06LF](#) [582553-1](#) [0009485154](#) [009176003701906](#) [0050291907](#) [LY20-4P-DT1-P1E-BR](#) [02.125.8002.8](#)
[609-3404](#) [61062-3](#) [61082-181009](#) [622-3653LF](#) [63453-116](#) [636-1030](#) [636-1427](#) [636-3427](#) [636-4007](#) [641938-9](#) [641991-4](#) [644827-2](#) [65817-010LF](#) [65817-015LF](#) [65863-015LF](#) [66207-023LF](#) [67095-007LF](#) [67601157](#) [68645-018](#) [68648-049](#) [70.362.1628.0](#) [70-4210](#) [70-4226B](#) [70-4853B](#) [707-5020](#) [707-5028](#) [71.350.2428.0](#) [71918-208LF](#) [71961-016LF](#) [733-134](#) [733-162](#) [754199-000](#) [760-3052](#) [787-8014-00](#) [79531-3000](#)
[FCN-360C032-B](#) [FCN-367T-T012/H](#) [FCN-723D010/2](#) [80.063.4001.1](#) [800-90-001-10-001000](#) [800-90-010-10-002000](#) [801-43-002-10-013000](#)