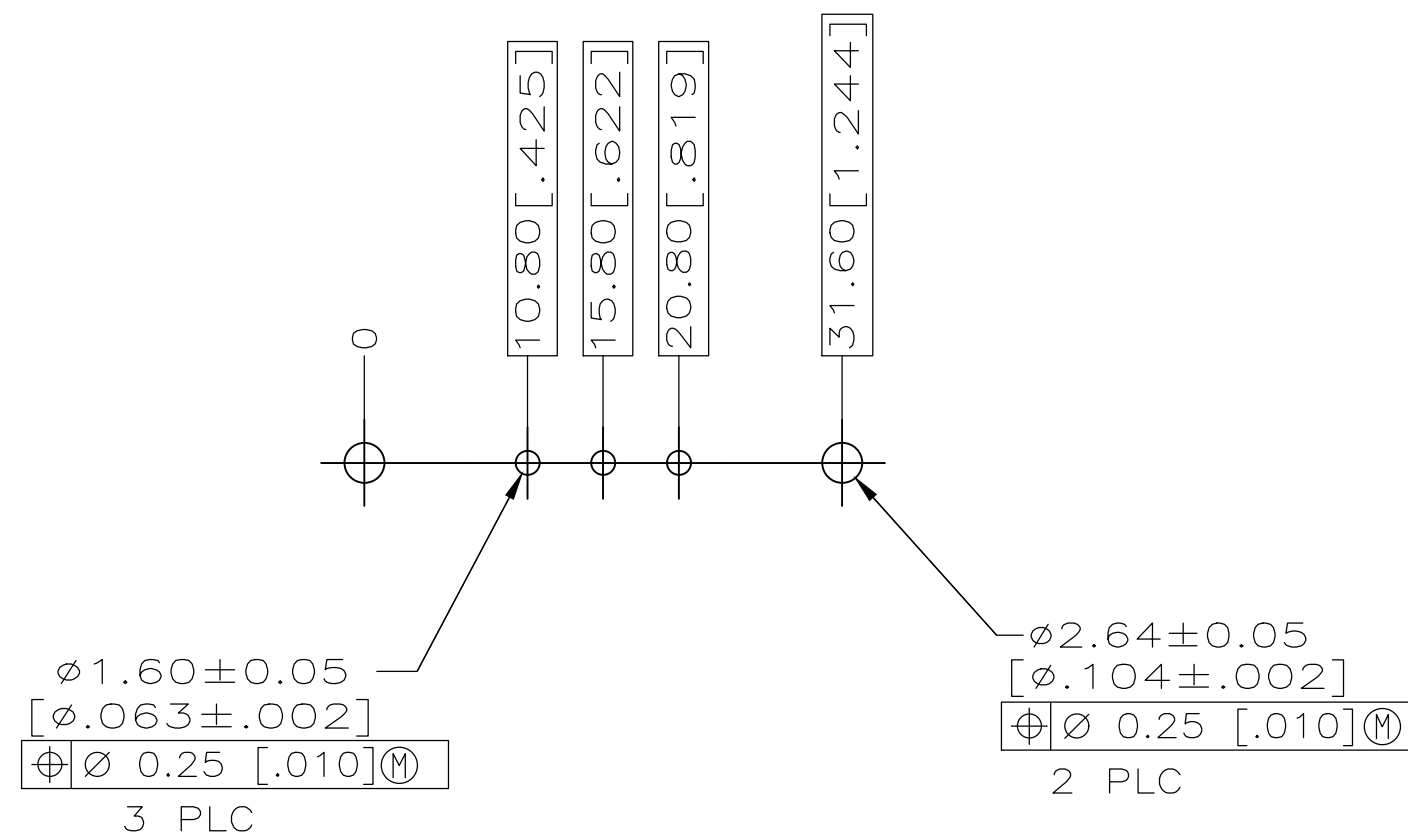
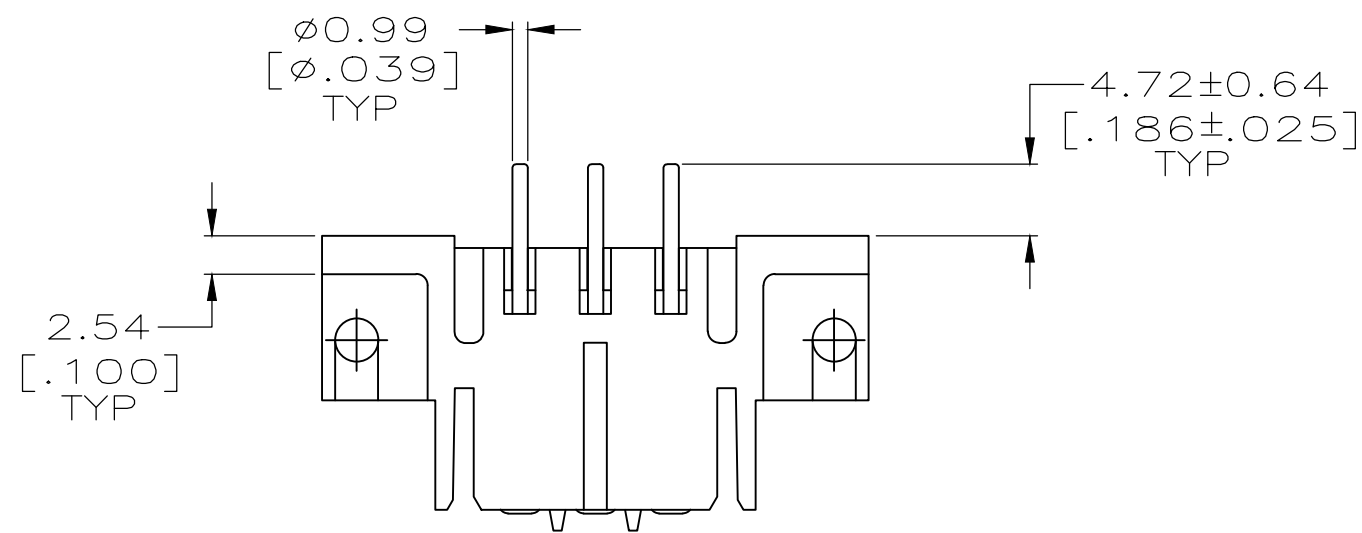
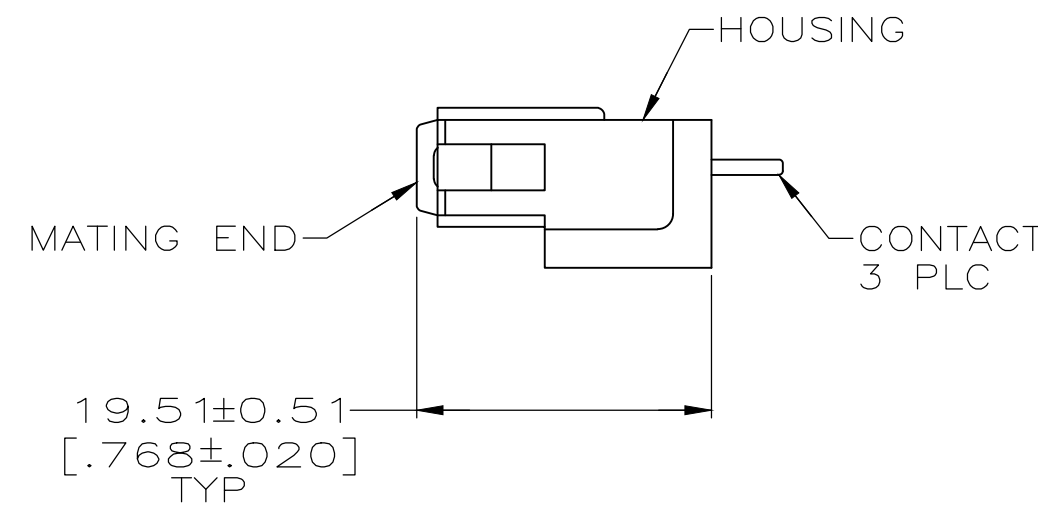
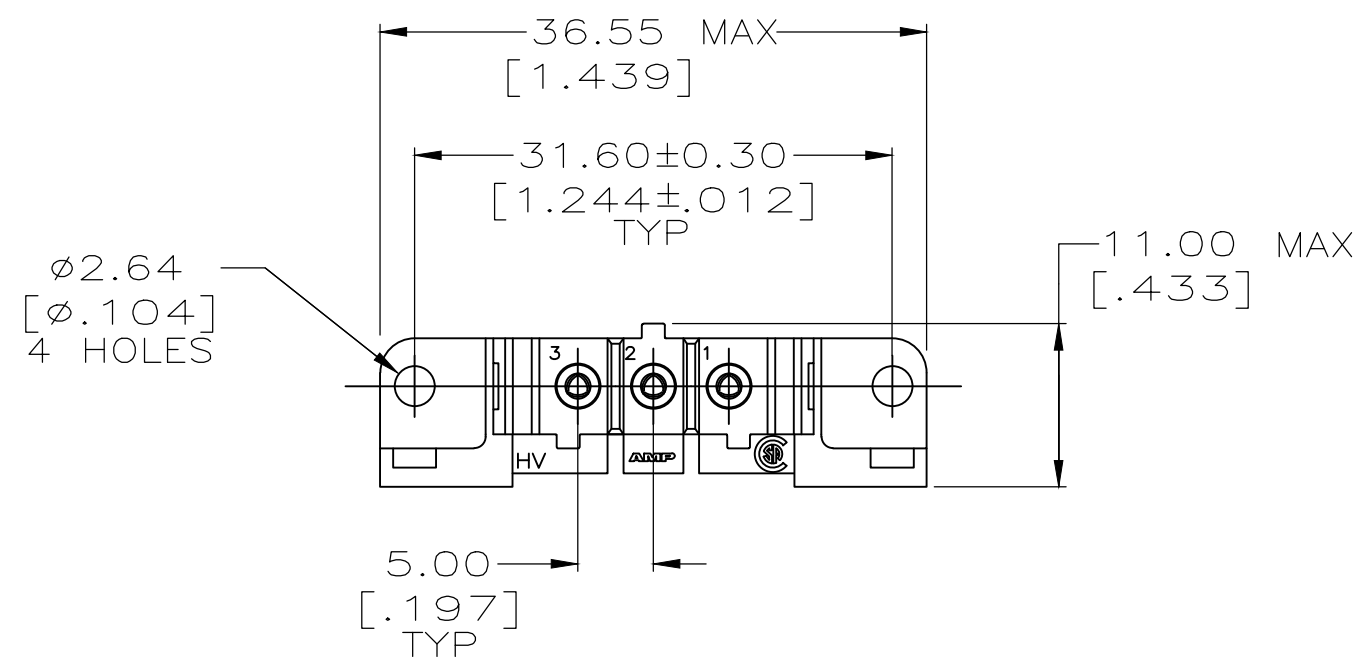


THIS DRAWING IS UNPUBLISHED. RELEASED FOR PUBLICATION
 © COPYRIGHT - By - ALL RIGHTS RESERVED.

REVISIONS					
P	LTR	DESCRIPTION	DATE	DWN	APVD
K		REVISED PER ECO-18-000443	23JAN2018	RS	MZ
L		REVISED PER ECO-20-001564	05FEB2020	SG	MZ



RECOMMENDED PC BOARD LAYOUT



① HOUSING MATERIAL: PA66, BLACK, UL 94 V-0 RATED.

② CONTACT HOOD: STAINLESS STEEL
 CONTACT BODY: PHOSPHOR BRONZE

③ 3.81um [.000150] MIN TIN-LEAD OVER 1.27um [.000050] MIN NICKEL.

④ 0.76um [.000030] MIN GOLD FOR A LENGTH OF 5.08 [.200] MIN FROM MATING END, 3.81um [.000150] MIN TIN-LEAD FOR A LENGTH OF 5.36 [.211] MIN FROM OPPOSITE END, BOTH OVER 1.27um [.000050] MIN NICKEL.

⑤ 3.81um [.000150] MIN TIN OVER 1.27um [.000050] MIN NICKEL.

⑥ 0.76um [.000030] MIN GOLD FOR A LENGTH OF 5.08 [.200] MIN FROM MATING END, 3.81um [.000150] MIN TIN FOR A LENGTH OF 5.36 [.211] MIN FROM OPPOSITE END, BOTH OVER 1.27um [.000050] MIN NICKEL.

	⑥	207609-7
	⑤	207609-6
OBSOLETE	④	207609-3
OBSOLETE	③	207609-1
	CONTACT FINISH	PART NO

THIS DRAWING IS A CONTROLLED DOCUMENT.		DWN	L.SIPE	08/07/92	TE Connectivity Ltd.		
DIMENSIONS: mm [INCHES]		CHK	R.STONE	8-25-92			
TOLERANCES UNLESS OTHERWISE SPECIFIED:		APVD	A.TRAVIS	8-25-92	NAME		
0 PLC ± -		PRODUCT SPEC		SOCKET HEADER ASSEMBLY, 3 POSN, IN-LINE, METRIMATE			
1 PLC ± -		APPLICATION SPEC		SIZE			
2 PLC ± 0.25 [.010]		WEIGHT		CAGE CODE			
3 PLC ± -		CUSTOMER DRAWING		DRAWING NO			
4 PLC ± -		SCALE		SHEET			
ANGLES ± -		2:1		1 OF 1			
CONTACTS: SEE TBL		REV		L			

X-ON Electronics

Largest Supplier of Electrical and Electronic Components

Click to view similar products for [Headers & Wire Housings](#) category:

Click to view products by [TE Connectivity](#) manufacturer:

Other Similar products are found below :

[95000-104TRLF](#) [10135584-644402LF](#) [DF62W-EP2022PCA](#) [95000-106TRLF](#) [DF62W-2022SCA](#) [DF62W-EP2022PC](#) [2203348](#) [DF62W-2022SC](#) [1084018](#) [1029039](#) [1084017](#) [802-10-012-10-002000](#) [1112640](#) [1112639](#) [000-34000](#) [0009482033](#) [0009507031](#) [57102-S06-03LF](#) [57202-S52-04LF](#) [PCN6-15S-2.5E](#) [0039019024](#) [58102-G61-06LF](#) [582553-1](#) [0009508121](#) [0050291907](#) [018731A](#) [LY20-4P-DT1-P1E-BR](#) [02.125.8002.8](#) [60101931](#) [60598-1 \(Cut Strip\)](#) [M1625-3R/100](#) [61062-3](#) [61082-181009](#) [636-1427](#) [638009-1](#) [641938-9](#) [641991-4](#) [644168-1](#) [647662-1](#) [65039-019ELF](#) [65817-002LF](#) [65817-015LF](#) [65863-015LF](#) [66207-023LF](#) [67016-026LF](#) [67046-001LF](#) [67095-007LF](#) [68002-116](#) [68016-236H](#) [68648-049](#)