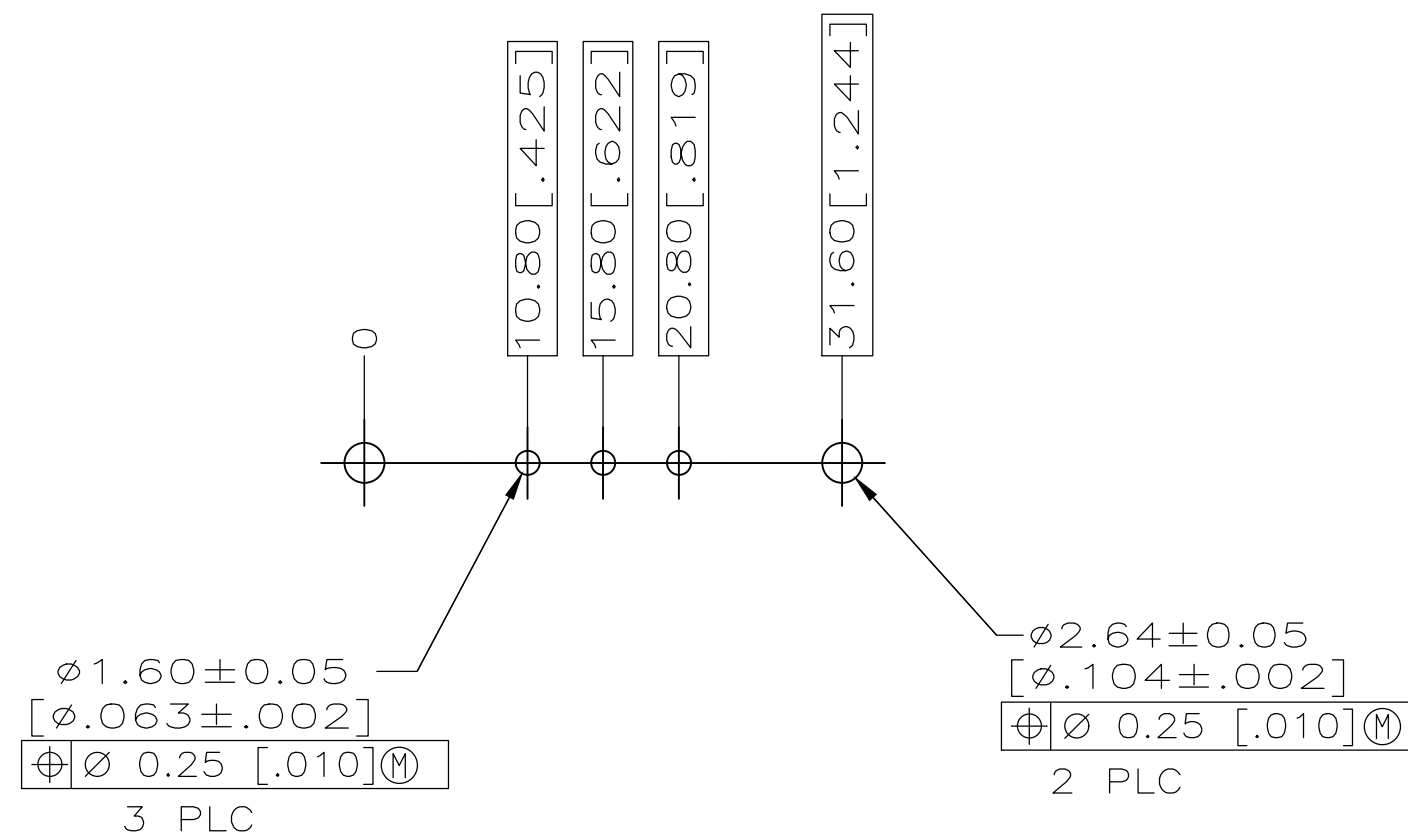
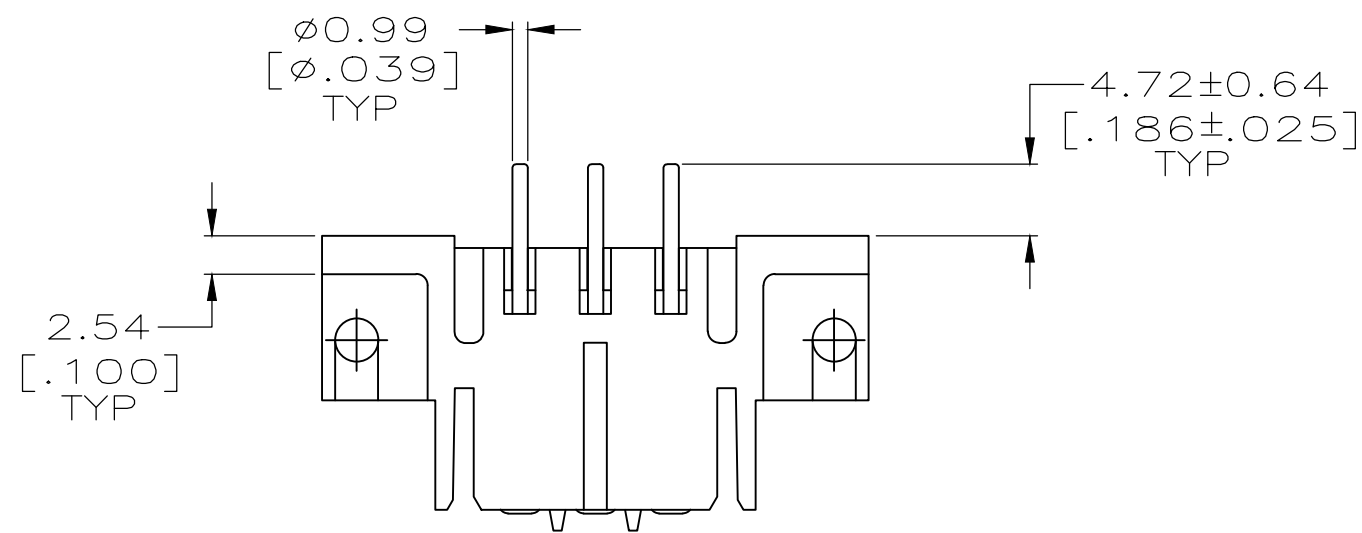
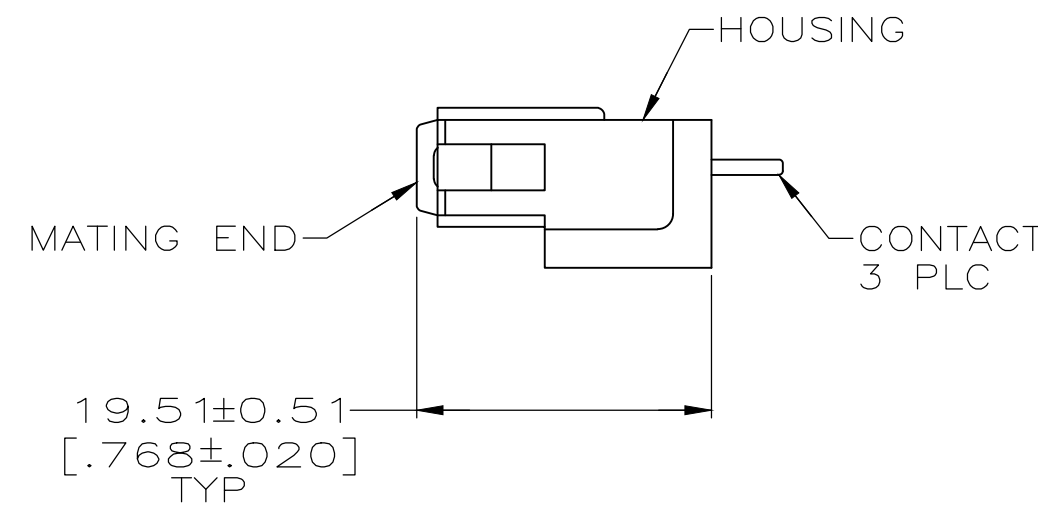
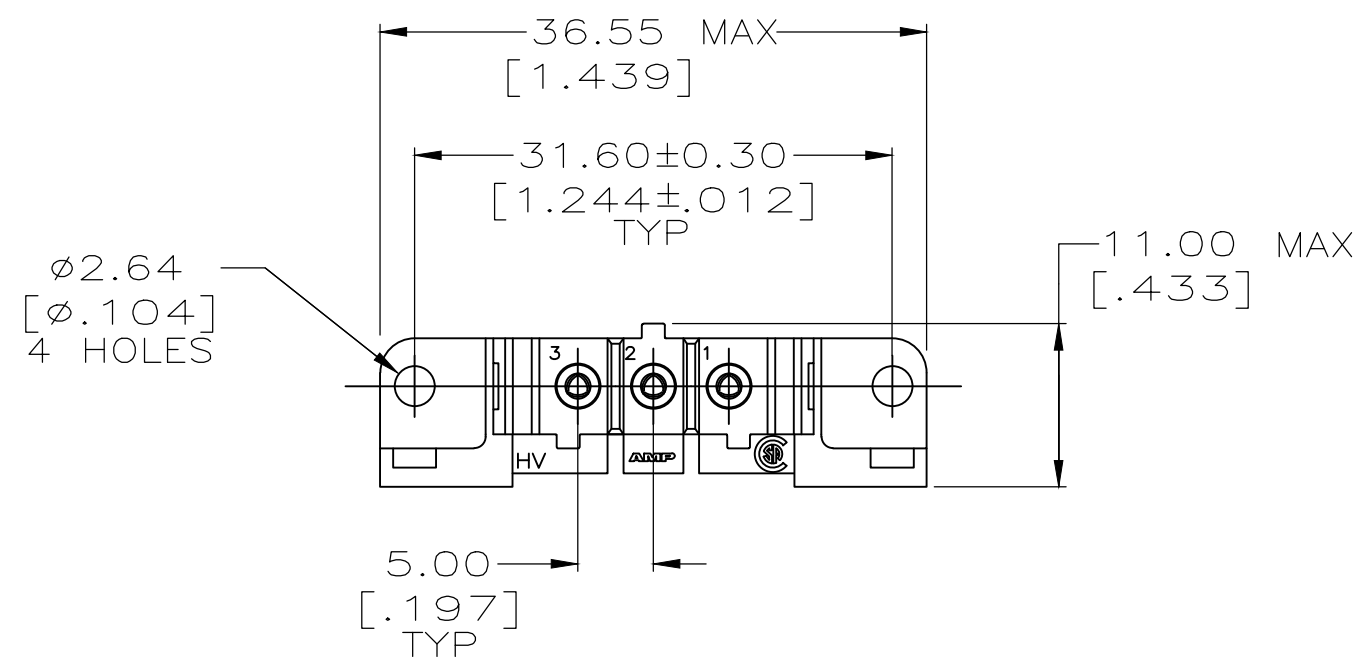


THIS DRAWING IS UNPUBLISHED. RELEASED FOR PUBLICATION
 © COPYRIGHT - By - ALL RIGHTS RESERVED.

REVISIONS					
P	LTR	DESCRIPTION	DATE	DWN	APVD
K		REVISED PER ECO-18-000443	23JAN2018	RS	MZ
L		REVISED PER ECO-20-001564	05FEB2020	SG	MZ



RECOMMENDED PC BOARD LAYOUT



① HOUSING MATERIAL: PA66, BLACK, UL 94 V-0 RATED.

② CONTACT HOOD: STAINLESS STEEL
 CONTACT BODY: PHOSPHOR BRONZE

③ 3.81um [.000150] MIN TIN-LEAD OVER 1.27um [.000050] MIN NICKEL.

④ 0.76um [.000030] MIN GOLD FOR A LENGTH OF 5.08 [.200] MIN FROM MATING END, 3.81um [.000150] MIN TIN-LEAD FOR A LENGTH OF 5.36 [.211] MIN FROM OPPOSITE END, BOTH OVER 1.27um [.000050] MIN NICKEL.

⑤ 3.81um [.000150] MIN TIN OVER 1.27um [.000050] MIN NICKEL.

⑥ 0.76um [.000030] MIN GOLD FOR A LENGTH OF 5.08 [.200] MIN FROM MATING END, 3.81um [.000150] MIN TIN FOR A LENGTH OF 5.36 [.211] MIN FROM OPPOSITE END, BOTH OVER 1.27um [.000050] MIN NICKEL.

	⑥	207609-7
	⑤	207609-6
OBSOLETE	④	207609-3
OBSOLETE	③	207609-1
	CONTACT FINISH	PART NO

THIS DRAWING IS A CONTROLLED DOCUMENT.		DWN	L.SIPE	08/07/92	TE Connectivity Ltd.		
DIMENSIONS: mm [INCHES]		CHK	R.STONE	8-25-92			
TOLERANCES UNLESS OTHERWISE SPECIFIED:		APVD	A.TRAVIS	8-25-92	NAME		
0 PLC ± -		PRODUCT SPEC		SOCKET HEADER ASSEMBLY, 3 POSN, IN-LINE, METRIMATE			
1 PLC ± -		APPLICATION SPEC		SIZE			
2 PLC ± 0.25 [.010]		WEIGHT		CAGE CODE			
3 PLC ± -		CUSTOMER DRAWING		DRAWING NO			
4 PLC ± -		SCALE		SHEET			
ANGLES ± -		2:1		1 OF 1			
CONTACTS: SEE TBL		REV		L			

X-ON Electronics

Largest Supplier of Electrical and Electronic Components

Click to view similar products for [Power to the Board](#) category:

Click to view products by [TE Connectivity](#) manufacturer:

Other Similar products are found below :

[6450171-4](#) [6450552-7](#) [6600323-8](#) [6643429-1](#) [6646040-2](#) [6651939-1](#) [6766604-1](#) [120959-1](#) [1393557-2](#) [1393532-2](#) [1393532-3](#) [1393532-4](#)
[1393557-1](#) [1600812-5](#) [1-6450861-2](#) [1744132-7](#) [1761122-1](#) [1766250-1](#) [1892109-1](#) [2-6450860-5](#) [2-6450870-0](#) [1-6450161-4](#) [1-6450850-6](#) [1-6450869-6](#) [1645526-2](#) [1-6600130-0](#) [2005243-2](#) [377-0020-11130](#) [TE34-12-16P-F0](#) [5-6450830-6](#) [5646956-4](#) [377-0080-11131A](#) [4-6450830-9](#)
[4-6600333-3](#) [10125416-4050LF](#) [6600320-3](#) [3-6450860-5](#) [1888123-2](#) [6450166-1](#) [6643978-1](#) [6766605-1](#) [701-15-02109](#) [N11444](#) [6651938-1](#)
[6450810-7](#) [46437-1112](#) [1-1589677-8](#) [5646956-5](#) [6450813-2](#) [6450129-4](#)