

4

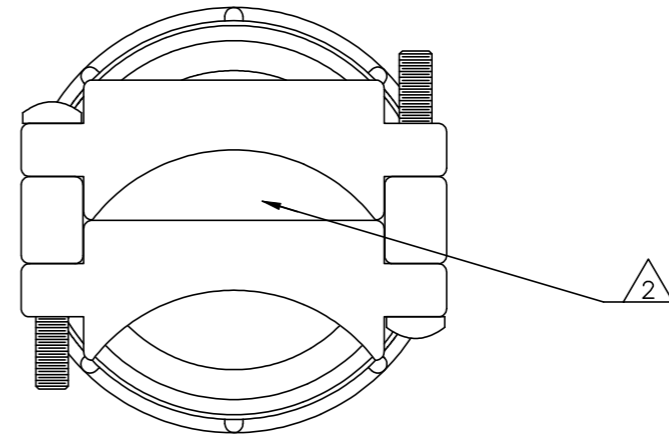
3

2

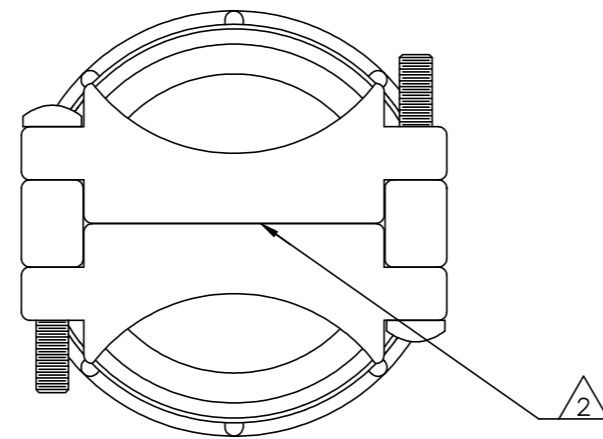
1

THIS DRAWING IS UNPUBLISHED. RELEASED FOR PUBLICATION. ALL RIGHTS RESERVED.

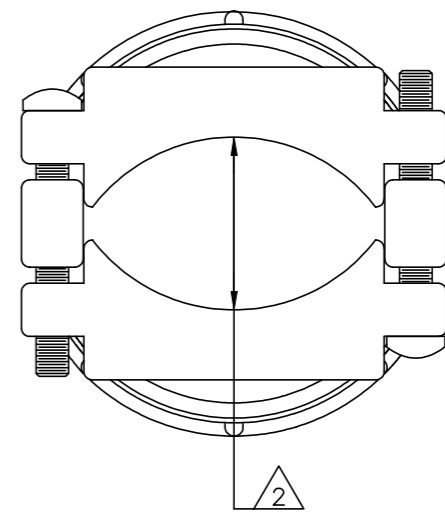
| REVISIONS | | | | |
|-----------|-----|---------------------------|-----------|--------|
| P | LTR | DESCRIPTION | DATE | APVD |
| E | 1 | REVISED PER ECO-11-004820 | 11MAR11 | RK HMR |
| F | | REVISED PER ECO-19-014983 | 14OCT2019 | RS MZ |



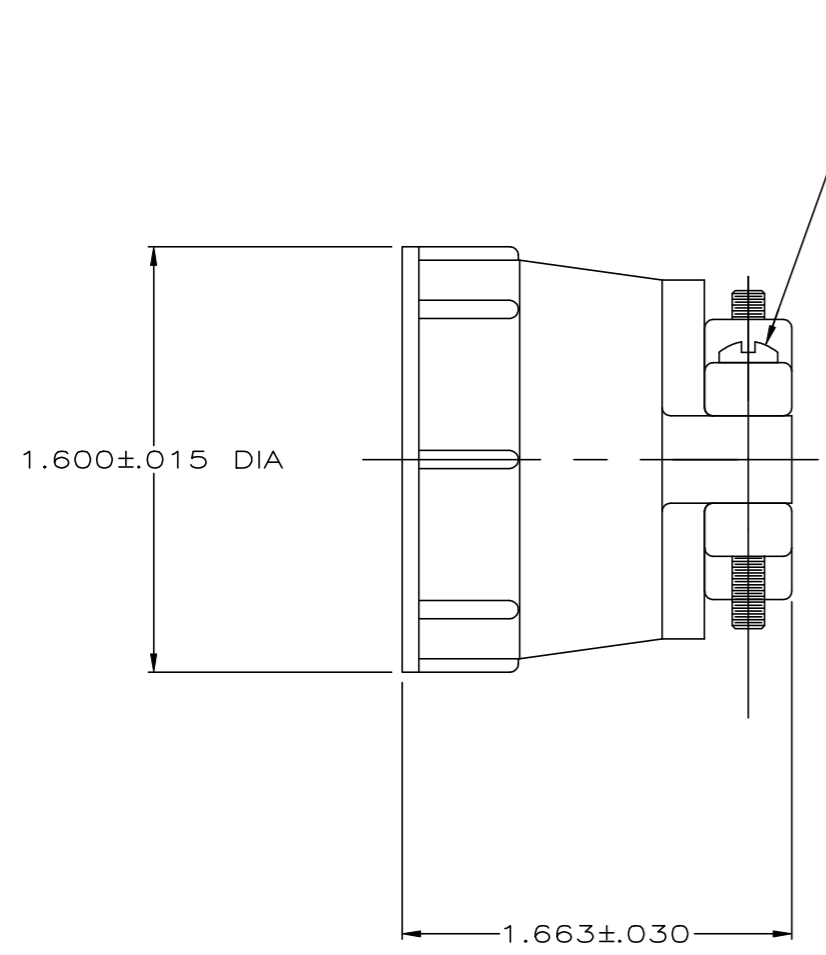
INTERMEDIATE



MINIMUM



MAXIMUM



(2) #5-20 SELF-TAPPING SCREWS,
SOLID OR SLOTTED SHANK.
MATERIAL: ZINC PLATED STEEL
LENGTH: 1.00 ± .008

1 PARTS PACKAGED UNASSEMBLED.

2 CABLE CLAMPING AREA ADJUSTABLE FROM .000 TO .652 SQ IN, MAX CABLE DIA = 1.125 INCHES. TWO CLAMPING INSERTS SUPPLIED WITH ASSEMBLY, CLAMPING SREA DETERMINED BY POSITION OF INSERTS AS SHOWN AT RIGHT.

3 BULK PACKAGED KITS TO BE ORDERED IN MULTIPLES OF 250 ONLY.

4 SCREWS NON-HEXAVALENT CHROMATE COATED.

| | | | |
|-----------|---|------------|-------------|
| 4 | 3 | BULK | 207774-4 |
| 4 | 4 | INDIVIDUAL | 207774-3 |
| 4 | 3 | BULK | 207774-2 |
| 4 | 4 | INDIVIDUAL | 207774-1 |
| PACKAGING | | | PART NUMBER |

| | | | | |
|----------------------------------------|--|------------------------------|--------------------------------------------------------|------------------------|
| THIS DRAWING IS A CONTROLLED DOCUMENT. | | DWN A.STAUB BG 4-3-91 | TE Connectivity | |
| DIMENSIONS: INCHES | | CHK W.G.LENKER 7-23-92 | CABLE CLAMP KIT, SELF CENTERING, SHELL SIZE 23, CPC | |
| TOLERANCES UNLESS OTHERWISE SPECIFIED: | | APVD - | NAME | |
| 0 PLC ± - | | PRODUCT SPEC 108-10024 | SIZE A2 | |
| 1 PLC ± - | | APPLICATION SPEC - | CAGE CODE 00779 | DRAWING NO C=207774 |
| 2 PLC ± - | | WEIGHT - | RESTRICTED TO - | SCALE 2:1 |
| 3 PLC ± - | | CUSTOMER DRAWING | | |
| 4 PLC ± - | | SHEET 1 of 1 | | |
| ANGLES ± - | | REV F | | |
| FINISH - | | | | |

207774

X-ON Electronics

Largest Supplier of Electrical and Electronic Components

Click to view similar products for [Standard Circular Connector](#) category:

Click to view products by [TE Connectivity](#) manufacturer:

Other Similar products are found below :

[5M2530B10P](#) [600259N006](#) [600273N007](#) [6134-336-13149](#) [6134-337-11149](#) [6134-337-2390](#) [6134-341-17149](#) [6280-4SG-516](#) [6280-7SG-3DC](#)
[6290](#) [6291A](#) [66200A-10](#) [680-SMG](#) [681-PMG](#) [CXS3102A14S2P](#) [CXS3102A181S](#) [7271-6SG-300](#) [7282-3PG-300-CH3](#) [75-474014-05S](#) [75-](#)
[474618-01S](#) [75-474618-04P](#) [75-474618-04S](#) [799539-000](#) [MI8-SE](#) [805-005-07NF11-19PC](#) [805-005-07NF15-7PA](#) [8280-4PG-516](#) [8280-7PG-](#)
[519](#) [8282-5PG-519](#) [836783-1](#) [MP-4102-25P-C](#) [862256-1](#) [864019-2](#) [866857-1](#) [867865-1](#) [PT01SP-14-18P](#) [PT08P-14-5S](#) [120-1833-000](#)
[QCM019PC2DC012B](#) [1-2069279-1](#) [121583-0217](#) [121667-0020](#) [129591AU](#) [1000B BULK](#) [RD10A16-19-P6CS051/1](#) [RD10A20-31-](#)
[P8CS051/1](#) [RD16A14-12-S6CS051/2](#) [1301240290](#) [1301240347](#) [1301860202](#) [1301240268](#)