

4

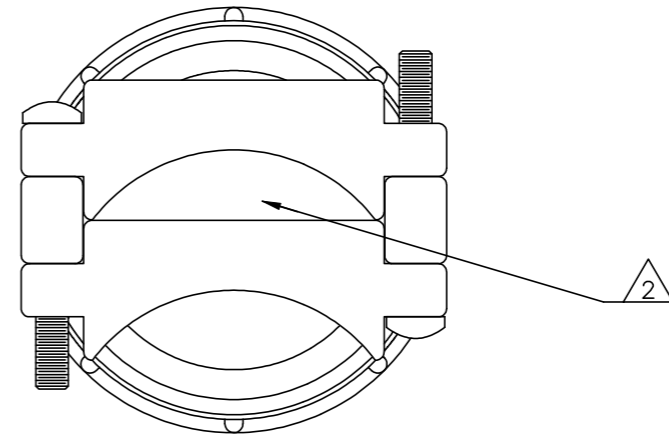
3

2

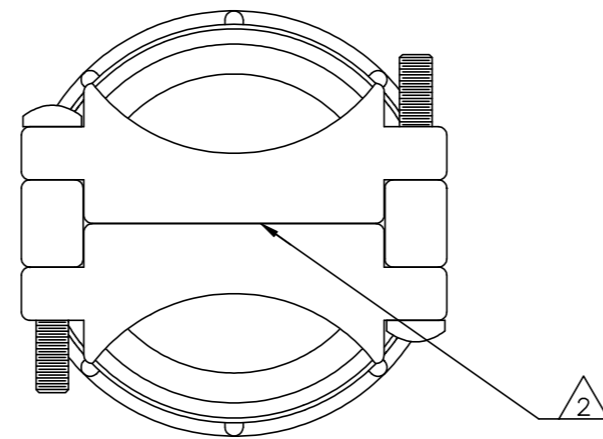
1

THIS DRAWING IS UNPUBLISHED. RELEASED FOR PUBLICATION. ALL RIGHTS RESERVED.

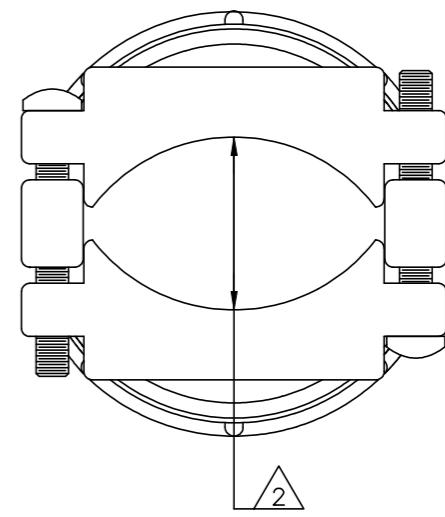
REVISIONS				
P	LTR	DESCRIPTION	DATE	APVD
E1		REVISED PER ECO-11-004820	11MAR11	RK HMR
F		REVISED PER ECO-19-014983	14OCT2019	RS MZ



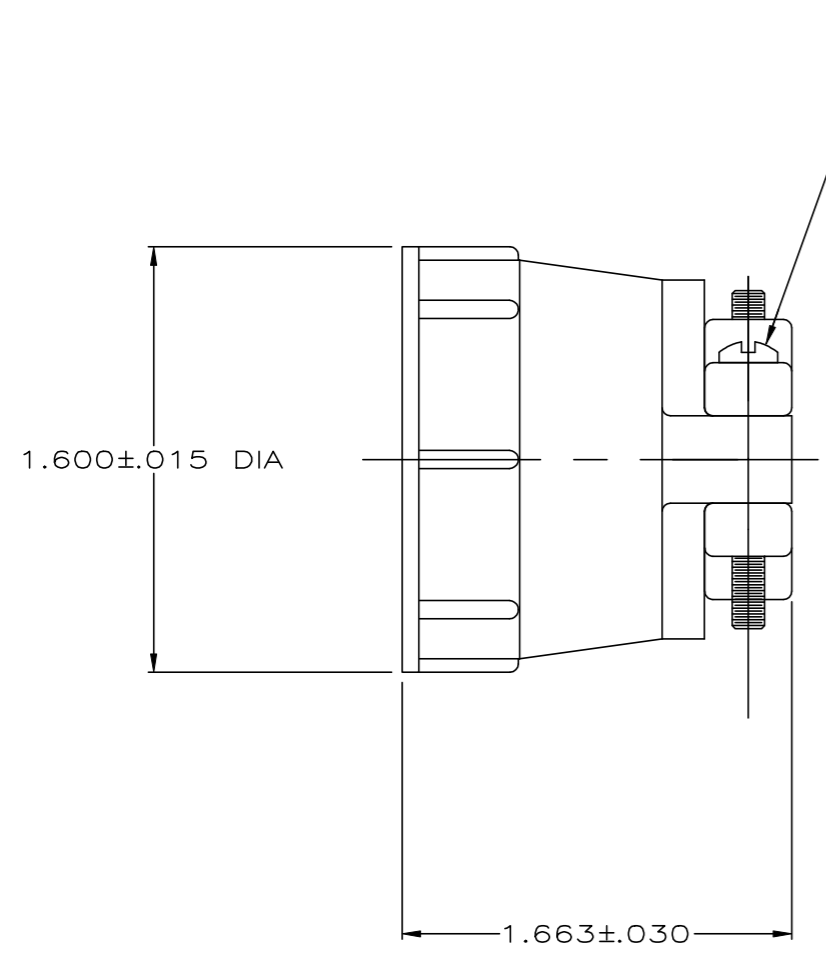
INTERMEDIATE



MINIMUM



MAXIMUM



(2) #5-20 SELF-TAPPING SCREWS,
SOLID OR SLOTTED SHANK.
MATERIAL: ZINC PLATED STEEL
LENGTH: 1.00 ± .008

1 PARTS PACKAGED UNASSEMBLED.

2 CABLE CLAMPING AREA ADJUSTABLE FROM .000 TO .652 SQ IN, MAX CABLE DIA = 1.125 INCHES. TWO CLAMPING INSERTS SUPPLIED WITH ASSEMBLY, CLAMPING SREA DETERMINED BY POSITION OF INSERTS AS SHOWN AT RIGHT.

3 BULK PACKAGED KITS TO BE ORDERED IN MULTIPLES OF 250 ONLY.

4 SCREWS NON-HEXAVALENT CHROMATE COATED.

4	3	BULK	207774-4
4	4	INDIVIDUAL	207774-3
4	3	BULK	207774-2
4	4	INDIVIDUAL	207774-1
PACKAGING			PART NUMBER

THIS DRAWING IS A CONTROLLED DOCUMENT.		DWN A.STAUB BG 4-3-91	TE Connectivity	
DIMENSIONS: INCHES		CHK W.G.LENKER 7-23-92	NAME	
TOLERANCES UNLESS OTHERWISE SPECIFIED:		APVD -	PRODUCT SPEC 108-10024	
0 PLC ± -		APPLICATION SPEC -	SIZE A2	CAGE CODE 00779
1 PLC ± -		WEIGHT -	DRAWING NO C=207774	RESTRICTED TO -
2 PLC ± -		CUSTOMER DRAWING	SCALE 2:1	SHEET 1 of 1
3 PLC ± -			REV F	
4 PLC ± -				
ANGLES ± -				
FINISH -				
MATERIAL THERMOPLASTIC				

207774

A

X-ON Electronics

Largest Supplier of Electrical and Electronic Components

Click to view similar products for [Standard Circular Connector](#) category:

Click to view products by [TE Connectivity](#) manufacturer:

Other Similar products are found below :

[5M2530B10P](#) [600259N006](#) [600273N007](#) [6134-336-13149](#) [6134-337-11149](#) [6134-337-2390](#) [6134-341-17149](#) [6280-4SG-516](#) [6280-7SG-3DC](#)
[6290](#) [6291A](#) [66200A-10](#) [680-SMG](#) [681-PMG](#) [CXS3102A14S2P](#) [CXS3102A181S](#) [7251-5SG-300](#) [7271-6SG-300](#) [7282-3PG-300-CH3](#) [75-](#)
[474618-01S](#) [75-474618-04P](#) [75-474618-04S](#) [799539-000](#) [MI8-SE](#) [805-005-07NF11-19PC](#) [805-005-07NF15-7PA](#) [8280-4PG-516](#) [8280-7PG-](#)
[519](#) [8282-5PG-519](#) [836783-1](#) [MP-4102-25P-C](#) [862256-1](#) [864019-2](#) [866857-1](#) [867865-1](#) [PT01SP-14-18P](#) [PT08P-14-5S](#) [PTSF06SE-14-12S](#)
[120-1833-000](#) [QCM019PC2DC012B](#) [1-2069279-1](#) [121583-0217](#) [121667-0020](#) [129591AU](#) [1000B BULK](#) [RD10A16-19-P6CS051/1](#)
[RD10A20-31-P8CS051/1](#) [RD16A14-12-S6CS051/2](#) [1301240290](#) [1301240347](#) [1301860202](#)