

THIS DRAWING IS UNPUBLISHED. RELEASED FOR PUBLICATION
 © COPYRIGHT 19 BY AMP INCORPORATED. ALL INTERNATIONAL RIGHTS RESERVED.

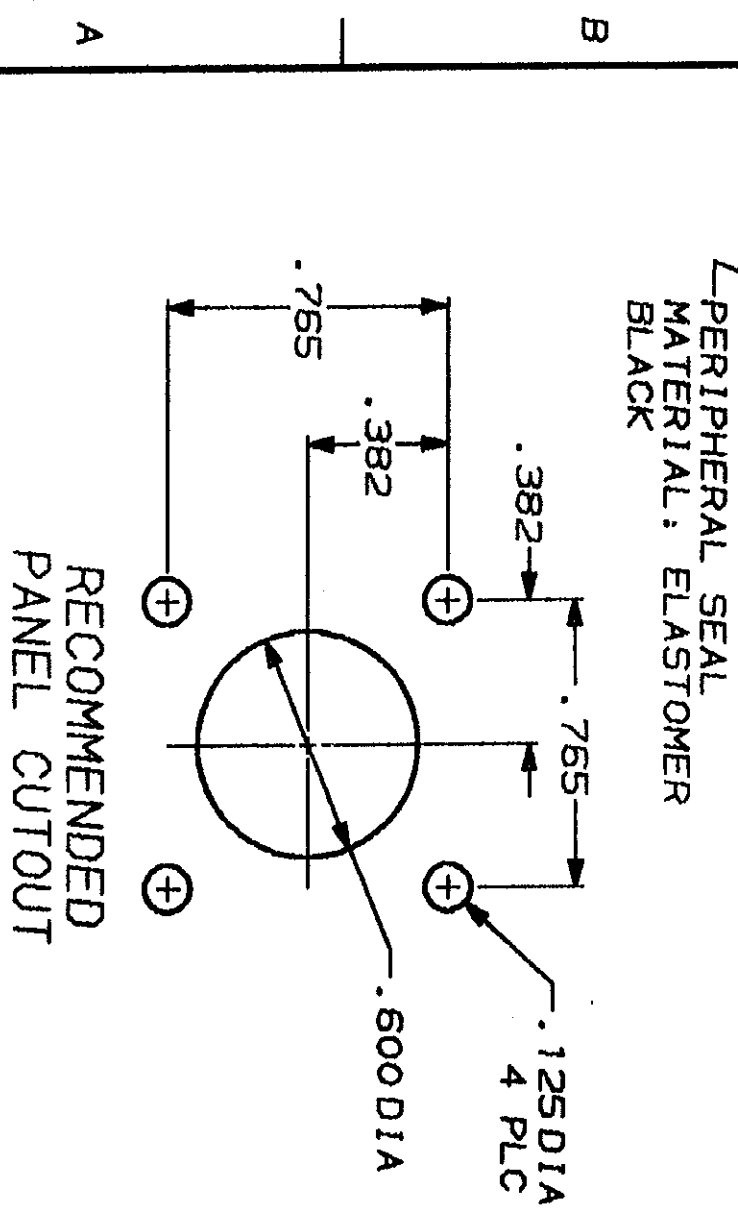
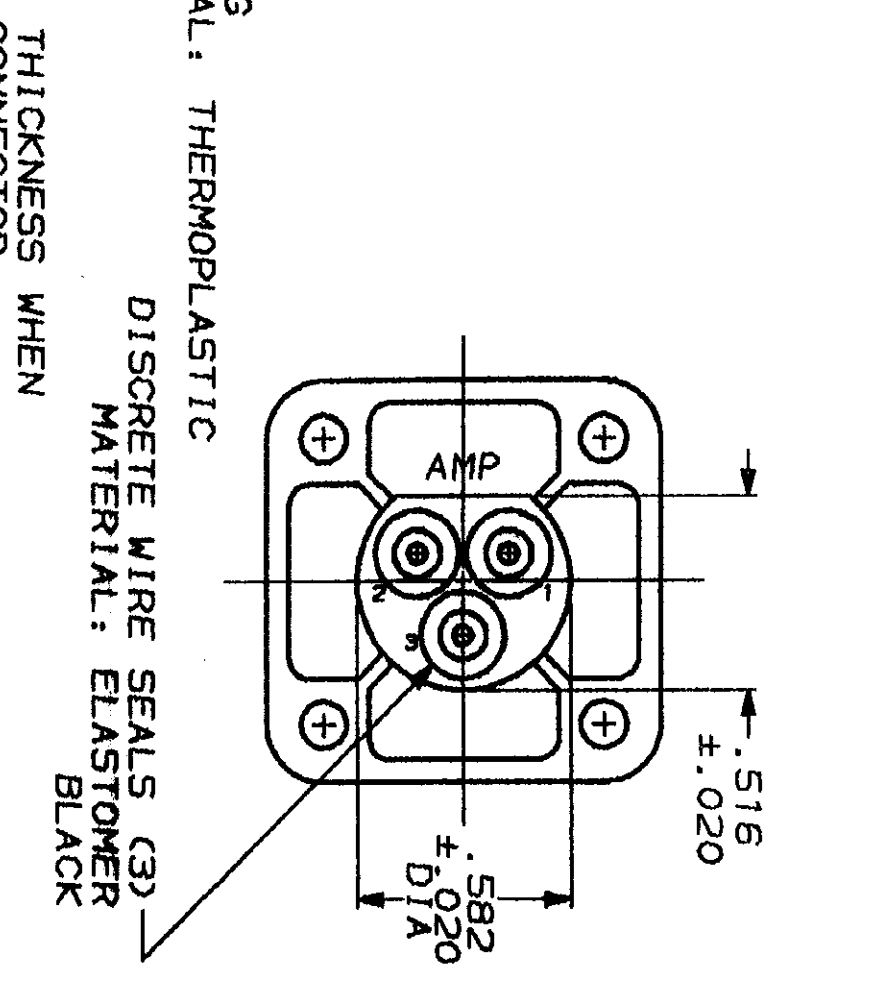
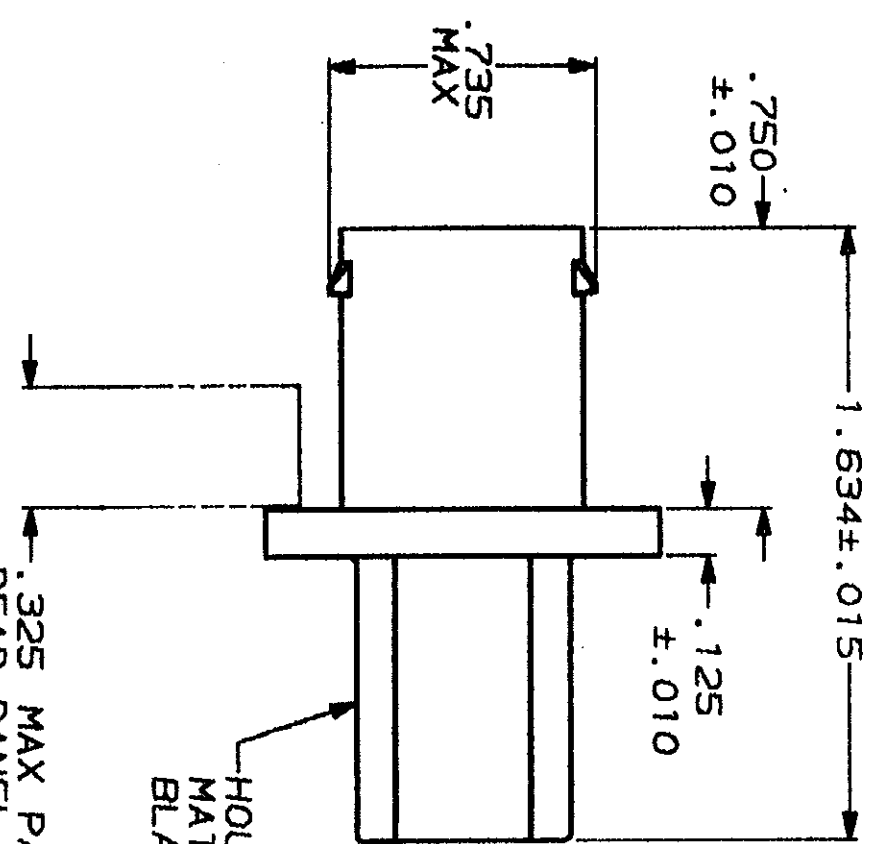
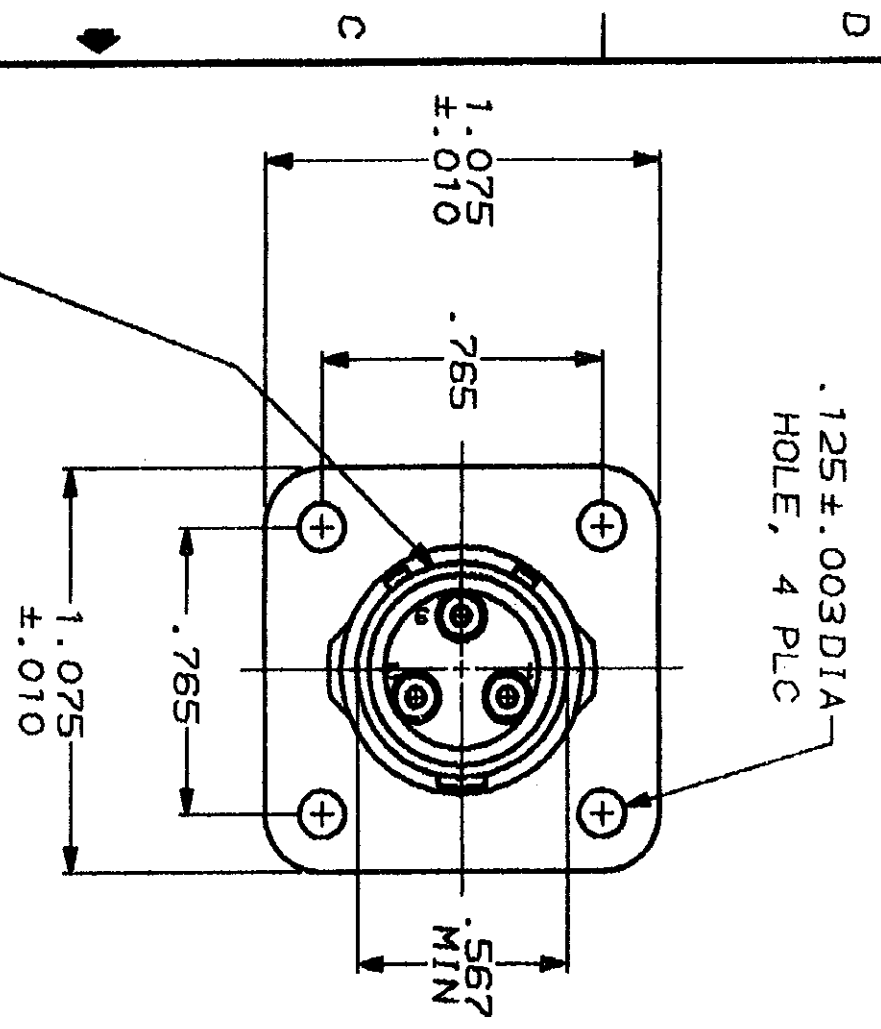
MOD 23
 LOC BD
 DIST 39

✓ P
 ✓ F

ZONE LTR
 6

REVISIONS
 DESCRIPTION
 REDRAWN AND REV PER ECN BD4183

DATE 8-21-80
 APPD KB



1. WIRE INSULATION SEALING RANGE .070-.130 DIA.
2. THIN MEMBRANE PERMISSIBLE ON SMALL DIAMETER OF WIRE SEALS.

207807-1
 PART NUMBER

DO NOT SCALE PRINT. DIMENSIONS SPECIFIED IN INCHES UNLESS OTHERWISE NOTED.		DR 8-21-80	CHK J SULLICI BE	APPD H. R. RAY	DATE 1-18-91	NAME	AMP INCORPORATED
MATERIAL		DR 8-21-80	CHK J SULLICI BE	APPD H. R. RAY	DATE 1-18-91	NAME	AMP INCORPORATED
FINISH		DR 8-21-80	CHK J SULLICI BE	APPD H. R. RAY	DATE 1-18-91	NAME	AMP INCORPORATED
APPLICATION SPEC		DR 8-21-80	CHK J SULLICI BE	APPD H. R. RAY	DATE 1-18-91	NAME	AMP INCORPORATED
SCALE		DR 8-21-80	CHK J SULLICI BE	APPD H. R. RAY	DATE 1-18-91	NAME	AMP INCORPORATED
WEIGHT		DR 8-21-80	CHK J SULLICI BE	APPD H. R. RAY	DATE 1-18-91	NAME	AMP INCORPORATED
SIZE		DR 8-21-80	CHK J SULLICI BE	APPD H. R. RAY	DATE 1-18-91	NAME	AMP INCORPORATED
DRAWING NO		DR 8-21-80	CHK J SULLICI BE	APPD H. R. RAY	DATE 1-18-91	NAME	AMP INCORPORATED
SHEET		DR 8-21-80	CHK J SULLICI BE	APPD H. R. RAY	DATE 1-18-91	NAME	AMP INCORPORATED

X-ON Electronics

Largest Supplier of Electrical and Electronic Components

Click to view similar products for [Automotive Connectors](#) category:

Click to view products by [TE Connectivity](#) manufacturer:

Other Similar products are found below :

[003-018-000](#) [600858](#) [60403001](#) [60993906-B](#) [60993913-B](#) [629515004020001](#) [M83723/71R1808N L/C](#) [M902-2131](#) [M902-2161](#) [M902-2344](#)
[72.330.1035.1](#) [73.353.4028.0](#) [F118010](#) [F119300-B](#) [F132210](#) [F166900](#) [F180100](#) [F258300](#) [F258300-B](#) [F294300-B](#) [F339100](#) [F339700](#)
[F358300-B](#) [F374110](#) [F407400](#) [F412210](#) [F444110](#) [F487000](#) [F495100](#) [F500900-B](#) [F509500B-B](#) [770444-1](#) [827153-1](#) [881735-1](#)
[8N1515-32-24P](#) [9-1326729-8](#) [925467-1](#) [925474-1](#) [928905-1](#) [936398-2](#) [964562-4](#) [964731-2](#) [968782-1](#) [GT17SA-8DS-HU](#) [GT17VS-10DP-](#)
[5.2CF](#) [98315-0001](#) [98315-0010](#) [98891-1012](#) [98895-2014](#) [98936-1039](#)