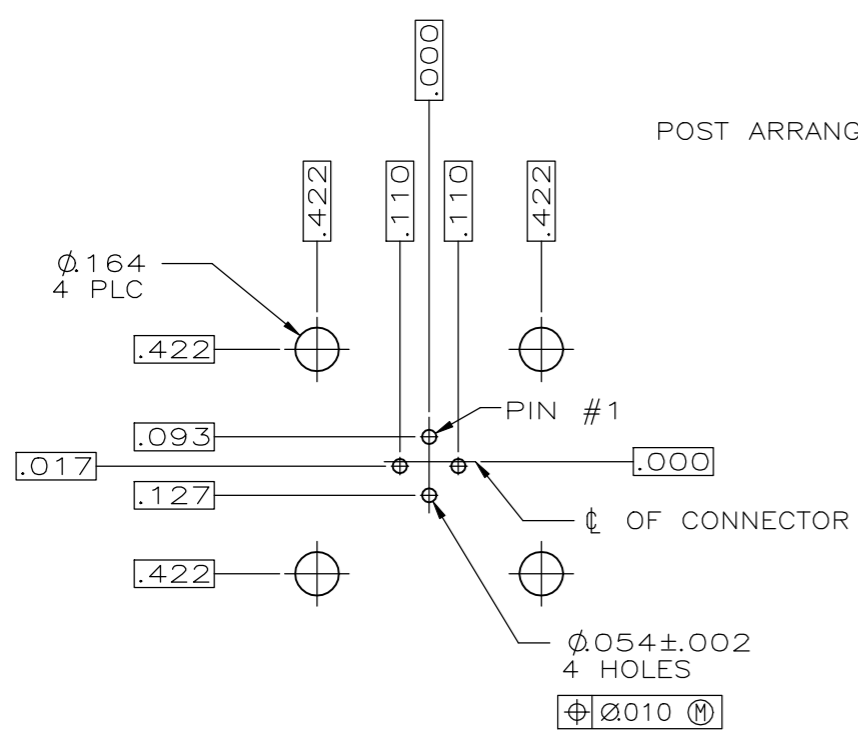
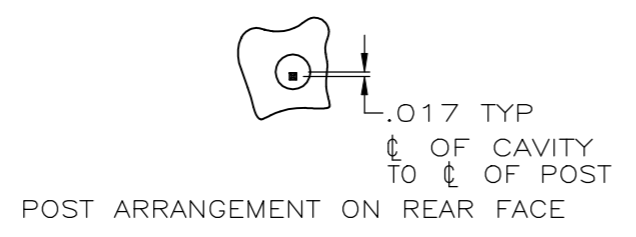
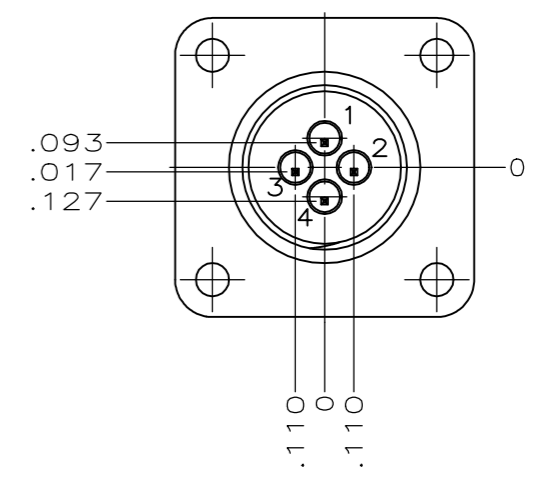
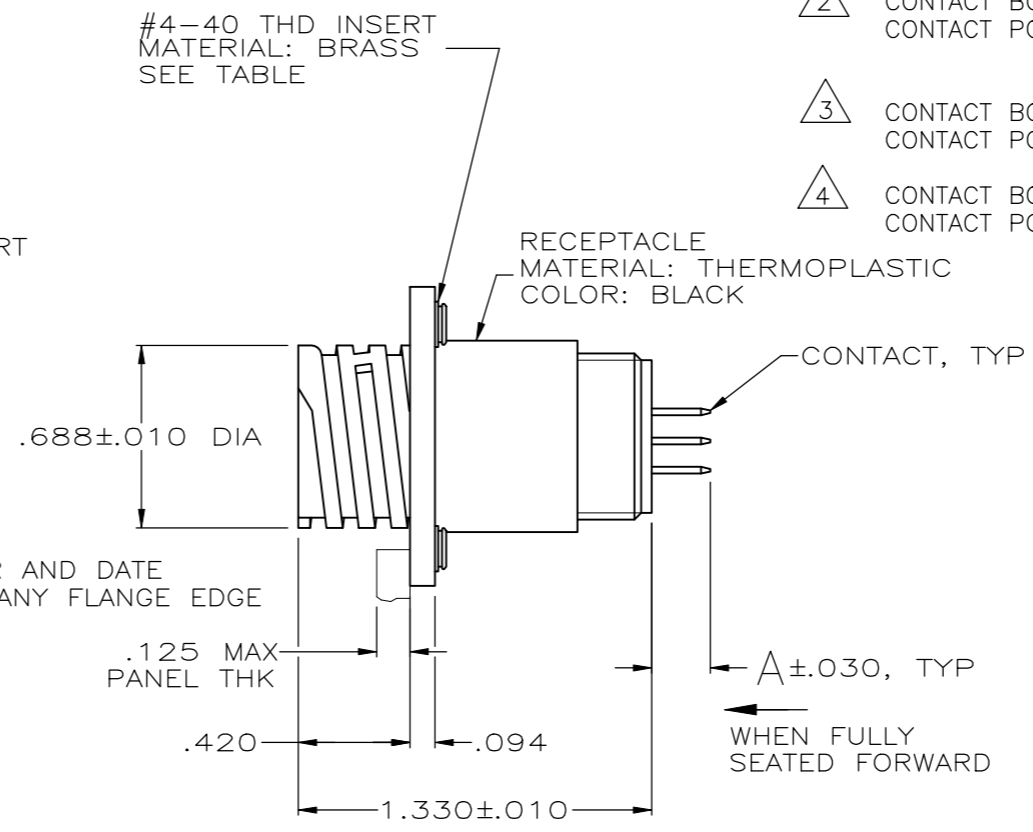
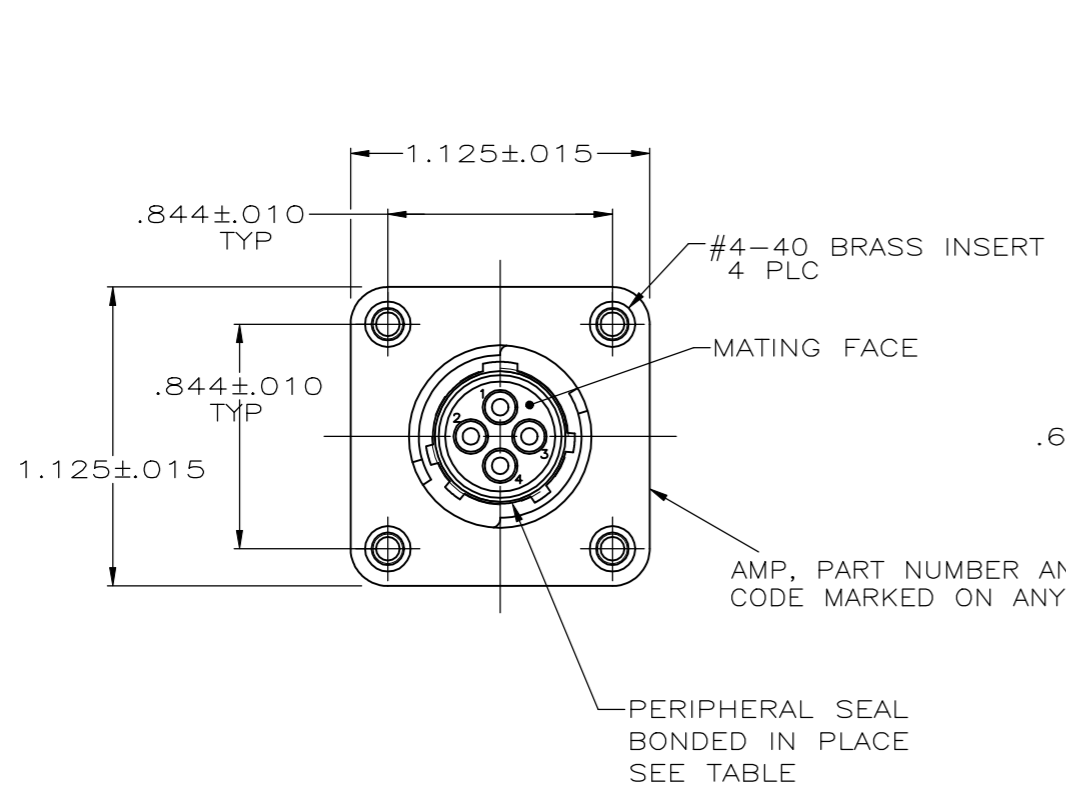


REVISIONS				
P	LTR	DESCRIPTION	DATE	APVD
T		REVISED PER ECO-18-007248	17MAY2018	KH MZ
T1		REVISED PER ECO-18-016525	22OCT2018	RS MZ

- 1 RECEPTACLE IS LOADED WITH 4 TYPE III+ POSTED PIN CONTACTS.
- △2 CONTACT BODY: GOLD PER MIL-G-45204 OVER NICKEL PER QQ-N-290. CONTACT POST: TIN-LEAD PER MIL-T-10727 OVER COPPER PER MIL-C-14550A.
- △3 CONTACT BODY: GOLD PER MIL-G-45204 OVER NICKEL PER QQ-N-290. CONTACT POST: TIN OVER COPPER PER MIL-C-14550A.
- △4 CONTACT BODY: TIN OVER NICKEL PER MIL-C-14550A. CONTACT POST: TIN OVER NICKEL PER MIL-C-14550A.



CONTACT FINISH	PERIPHERAL SEAL	THREADED INSERTS	PART NUMBER
△3			1-207825-5
△4			1-207825-4
△3			1-207825-2
△4			1-207825-1
△3			1-207825-0
△3			207825-9
△2			207825-8
△2			207825-7
△2			207825-6
△2			207825-5
△2			207825-4
△2			207825-3
△2			207825-2
△2			207825-1
CONTACT FINISH	A	PERIPHERAL SEAL	PART NUMBER

THIS DRAWING IS A CONTROLLED DOCUMENT. DWN R.LEE BG 7-1-91
 CHK W.G.LENKER 4-14-92
 APVD - NAME
 PRODUCT SPEC 108-10024
 APPLICATION SPEC -
 MATERIAL - FINISH - WEIGHT -
 CONTACT: △2

STE TE Connectivity
 RECEPTACLE ASSEMBLY, POSTED, STD SEX, SERIES 1, 11-4, CPC

SIZE A2 CAGE CODE 00779 DRAWING NO C=207825 RESTRICTED TO -
 SCALE 2:1 SHEET 1 of 1 REV T1

X-ON Electronics

Largest Supplier of Electrical and Electronic Components

Click to view similar products for [Standard Circular Connector](#) category:

Click to view products by [TE Connectivity](#) manufacturer:

Other Similar products are found below :

[5M2530B10P](#) [600259N006](#) [600273N007](#) [6134-336-13149](#) [6134-337-11149](#) [6134-337-2390](#) [6134-341-17149](#) [6280-4SG-516](#) [6280-7SG-3DC](#)
[6290](#) [6291A](#) [66200A-10](#) [680-SMG](#) [681-PMG](#) [CXS3102A14S2P](#) [CXS3102A181S](#) [7251-5SG-300](#) [7271-6SG-300](#) [7282-3PG-300-CH3](#) [75-](#)
[474618-01S](#) [75-474618-04P](#) [75-474618-04S](#) [799539-000](#) [MI8-SE](#) [805-005-07NF11-19PC](#) [805-005-07NF15-7PA](#) [8280-4PG-516](#) [8280-7PG-](#)
[519](#) [8282-5PG-519](#) [836783-1](#) [MP-4102-25P-C](#) [862256-1](#) [864019-2](#) [866857-1](#) [867865-1](#) [PT01SP-14-18P](#) [PT08P-14-5S](#) [PTSF06SE-14-12S](#)
[120-1833-000](#) [QCM019PC2DC012B](#) [1-2069279-1](#) [121583-0217](#) [121667-0020](#) [129591AU](#) [1000B BULK](#) [RD10A16-19-P6CS051/1](#)
[RD10A20-31-P8CS051/1](#) [RD16A14-12-S6CS051/2](#) [1301240290](#) [1301240347](#) [1301860202](#)