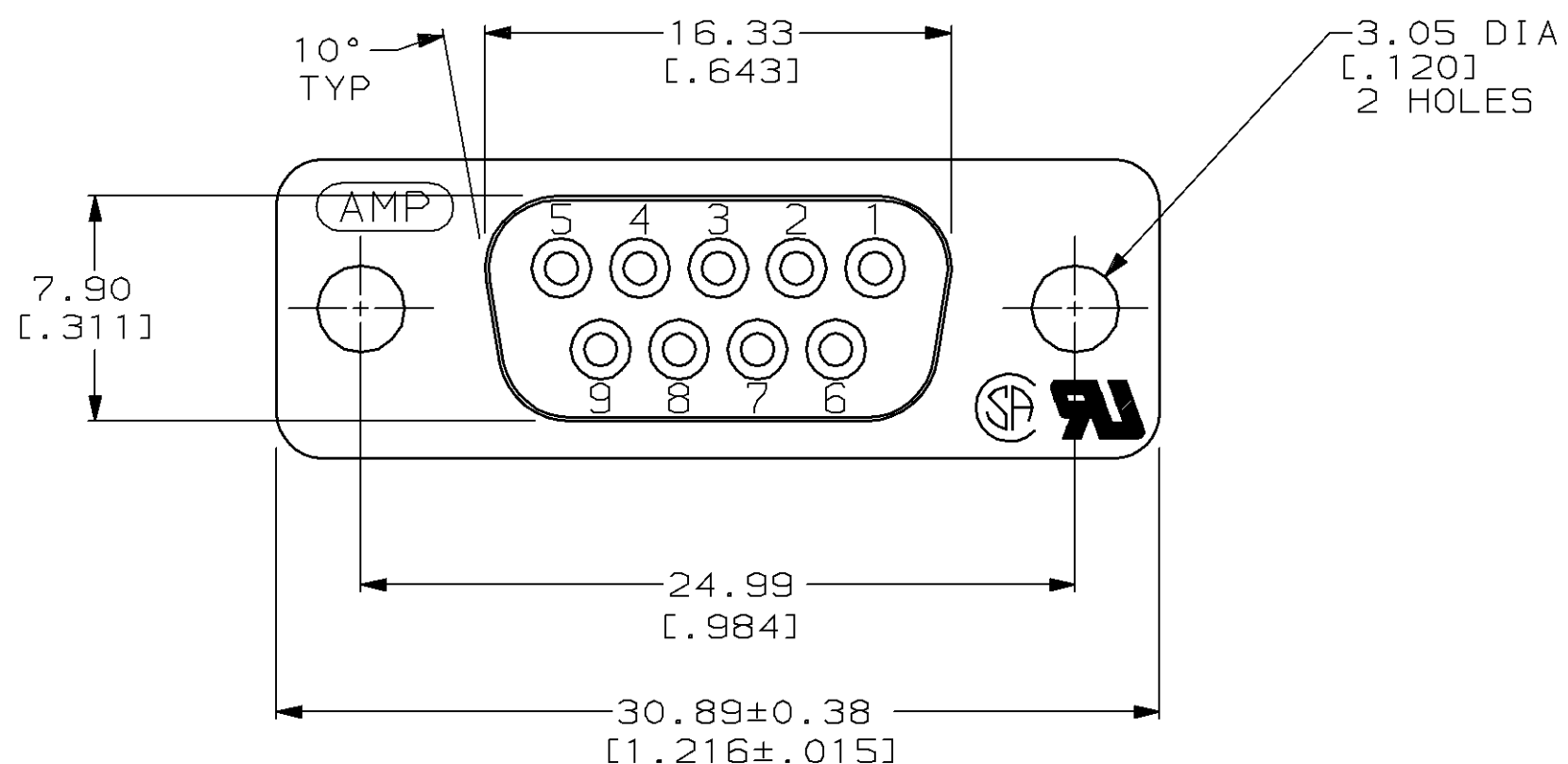
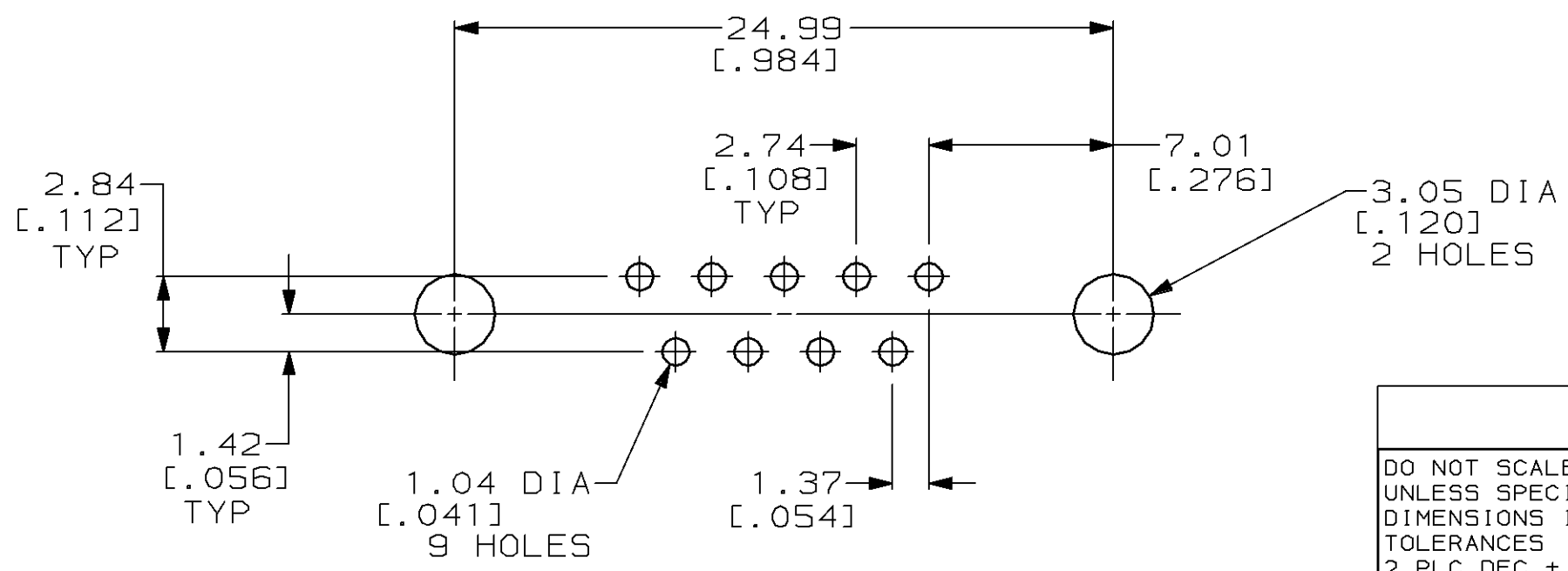
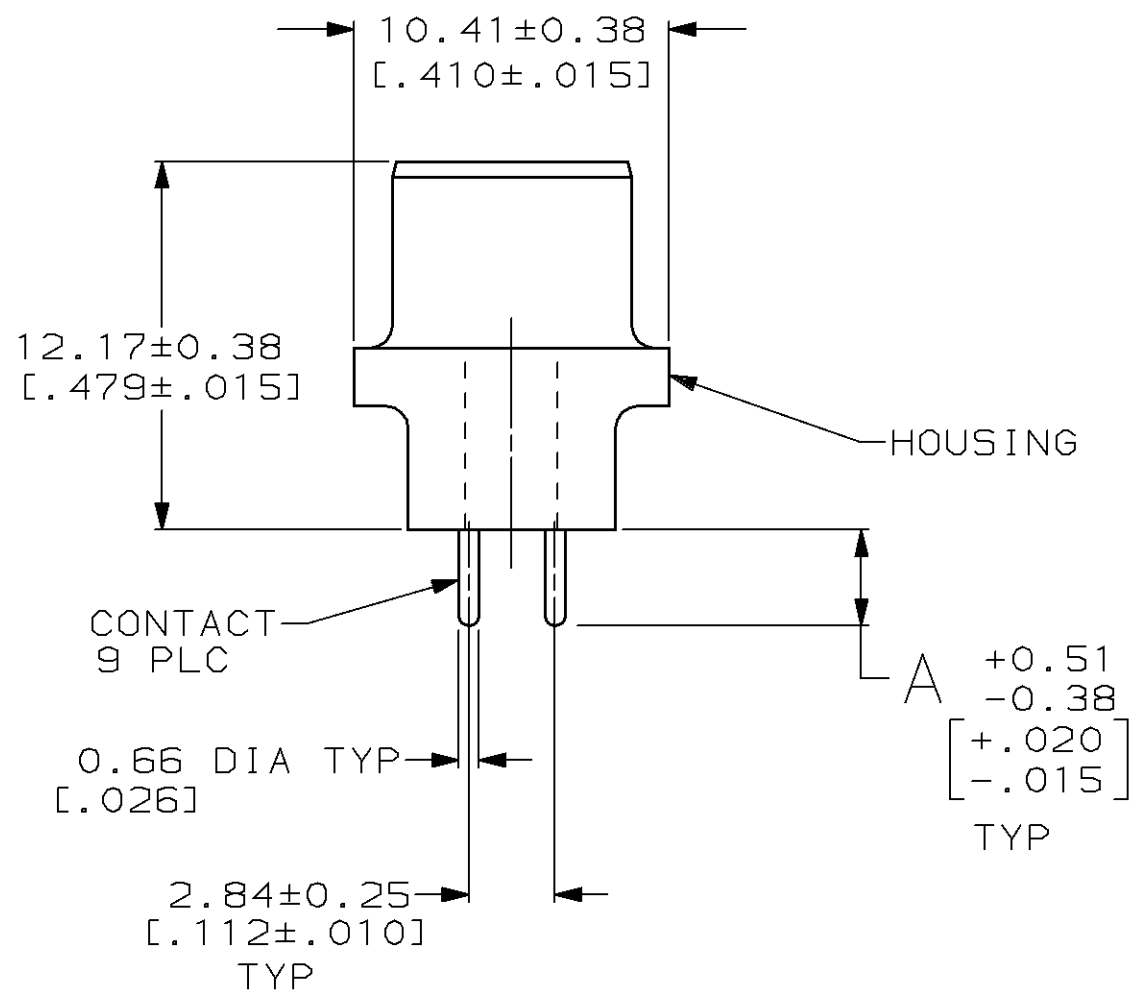
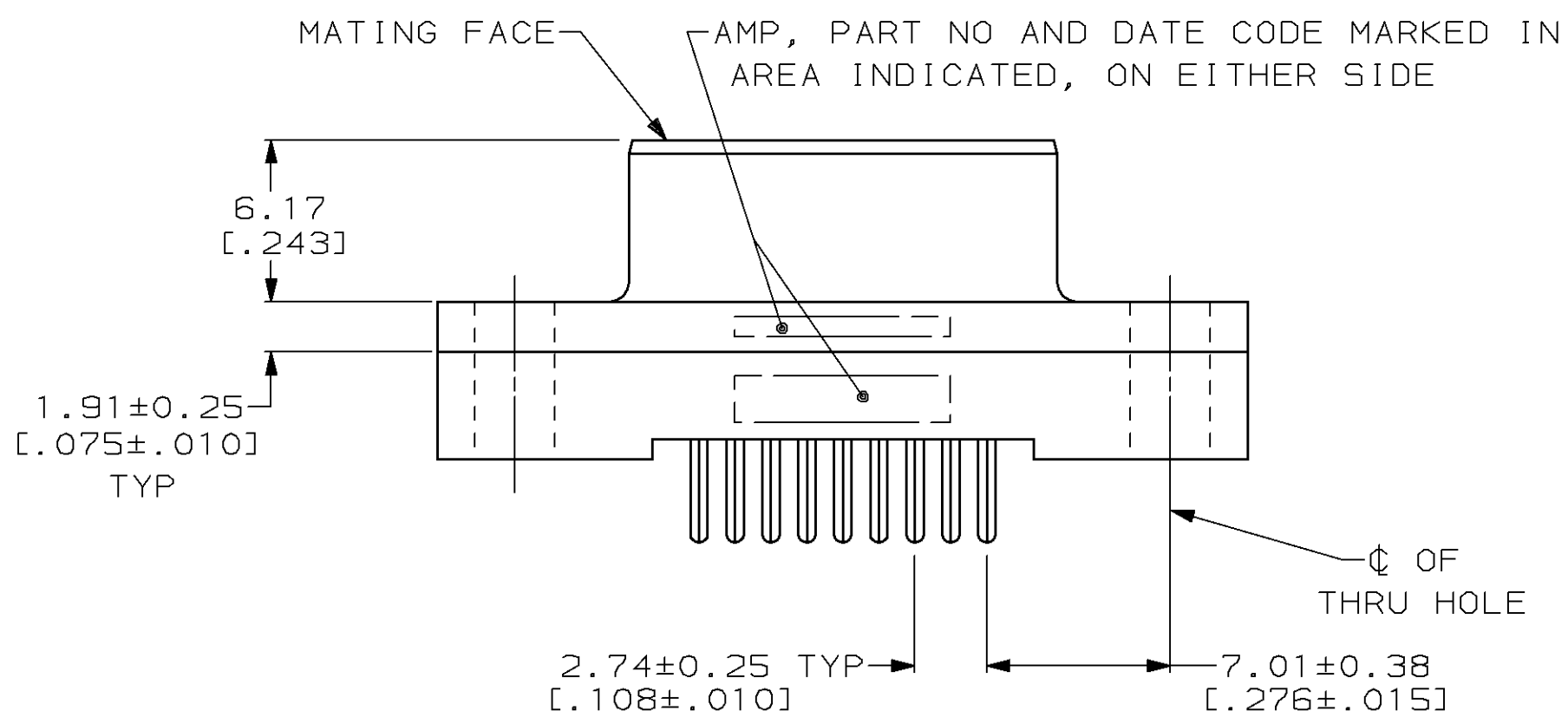


| LOC | DIST | P | F | REVISIONS | | | |
|-----|------|---|---|-----------|-------------------------------|----------|------|
| | | | | ZONE | LTR | DATE | APPD |
| BD | 77 | | | D | REDRAWN & REVISED, ECN BD3361 | 11-89 | SS |
| | | | | E | OBS 207826-7, -8 BD6038 | 06/10/92 | CR |
| | | | | F | OBS -5, -6 PER EC 0020-964-93 | 04/05/94 | CR |



- ① HOUSING: BLACK POLYESTER, UL 94V-0 RATED; CONTACTS: PHOSPHOR BRONZE PER QQ-B-750.
- ② GOLD PLATING PER MIL-G-45204, TIN PLATING PER MIL-T-10727, NICKEL PLATING PER QQ-N-290.
- ③ GOLD FLASH FOR A LENGTH OF 2.54[.100] MIN FROM MATING END, 2.54μm[.000100] MIN TIN OR TIN-LEAD FOR A LENGTH OF DIMENSION A FROM OPPOSITE END, ALL OVER 1.27μm[.000050] MIN NICKEL.
- ④ 0.76μm[.000030] MIN GOLD FOR A LENGTH OF 2.54[.100] MIN FROM MATING END, 2.54μm[.000100] MIN TIN OR TIN-LEAD FOR A LENGTH OF DIMENSION A FROM OPPOSITE END, ALL OVER 1.27μm[.000050] MIN NICKEL.



| CONTACT FINISH | SIZE | CAGE CODE | DRAWING NO |
|----------------|-------------|-----------|------------|
| ④ | 6.35 [.250] | | 207826-8 |
| ③ | 6.35 [.250] | | 207826-7 |
| ④ | 4.32 [.170] | | 207826-6 |
| ③ | 4.32 [.170] | | 207826-5 |
| ④ | 3.18 [.125] | | 207826-4 |
| ③ | 3.18 [.125] | | 207826-3 |

| | | | |
|--|--|---|--------------------|
| DO NOT SCALE PRINT. UNLESS SPECIFIED DIMENSIONS IN mm [INCHES] TOLERANCES ON: 2 PLC DEC ± 0.13 [.005] 3 PLC DEC ± - ANGLES ± 2° | | DR 11-16-89 J McCLINTON | |
| MATERIAL | | CHK 2-1-90 R.STONE | |
| FINISH ② | | APPD 2-2-90 S.SCHIEFFERLY | |
| CONTACT: SEE TABLE | | APPD 2-2-90 C.ROHDE | |
| WEIGHT - | | PRODUCT SPEC 108-40025 | |
| APPLICATION SPEC - | | SIZE C | CAGE CODE 00779 |
| SCALE 4:1 | | DRAWING NO 207826 | |
| SHEET 1 OF 1 | | NAME RECEPTACLE ASSEMBLY, SIZE 1, 9 POSN, VERTICAL, AMPLIMITE® HD-20 | |

X-ON Electronics

Largest Supplier of Electrical and Electronic Components

Click to view similar products for D-Sub Standard Connectors category:

Click to view products by TE Connectivity manufacturer:

Other Similar products are found below :

[56F711-015](#) [012-9507-004](#) [LV242999-142T12](#) [015-0341-000](#) [015-0349-000](#) [015-0372-005](#) [015-0372-008](#) [015-8755-001](#) [020419-0104](#) [012-0467-000](#) [012-0515-000](#) [012-9507-034](#) [012-9507-114](#) [020745-0008](#) [609-25P](#) [M24308/2-23Z](#) [CT2-14S-2PCA34](#) [CT2-18-11PCAU](#) [CT2-36-15SC](#) [CT6-14S-2SC](#) [CT6E14SA7SC](#) [CT6E22-14PC](#) [CT6E22-14PS](#) [CT6E22-22PS](#) [M83513/01-FC](#) [M85049/48-3-2F](#) [6STD09PCM99B70X](#) [6STD09SCM99B30X](#) [6STD09SCT99S40X](#) [6STD15PCT99S40X](#) [6STD15SCM99B30X](#) [6STD15SCT99S40X](#) [6STF09PCM05B70X](#) [7-135760-9](#) [MC11E-10-6SN](#) [747552-3](#) [MD1-21PS](#) [MDM-15SCBRM7-F222](#) [MDM96517-699](#) [MDM96521-744](#) [MDVB1-21SL1](#) [MIK0-1-7SH003](#) [MIKQ6-7SH076](#) [MIKQ7-7PH077](#) [MIKQ7-7PH11](#) [MIKQ7-7PH32](#) [MIKQ9-7PH003](#) [MJSV-28SL61](#) [MKJ4A1F14-55S](#) [8-135760-3](#)