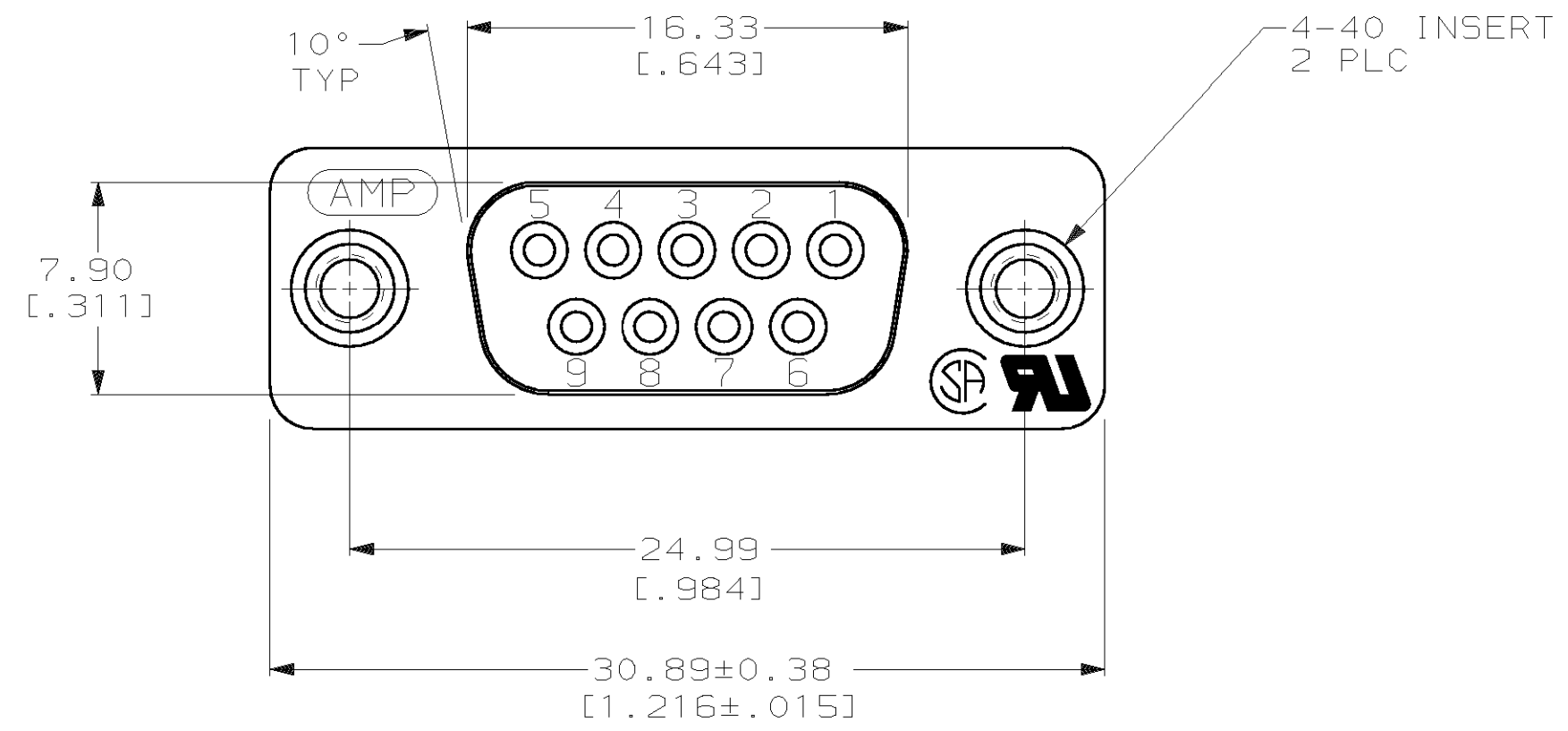
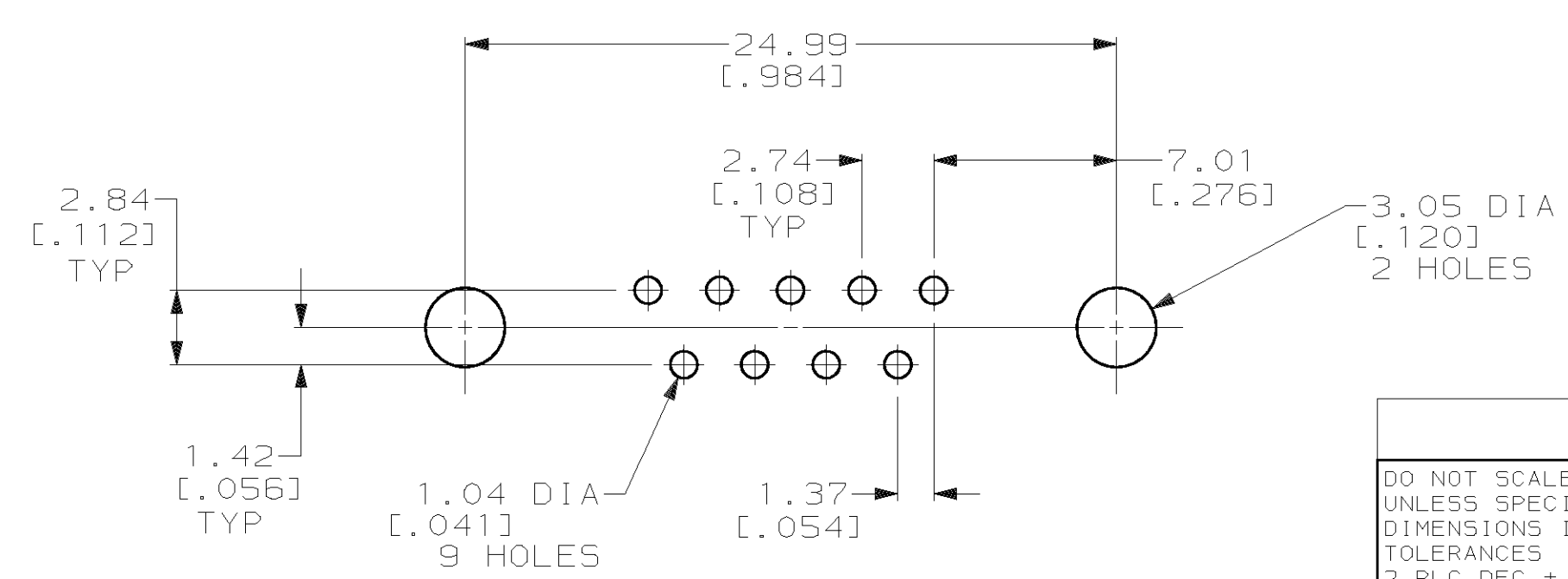
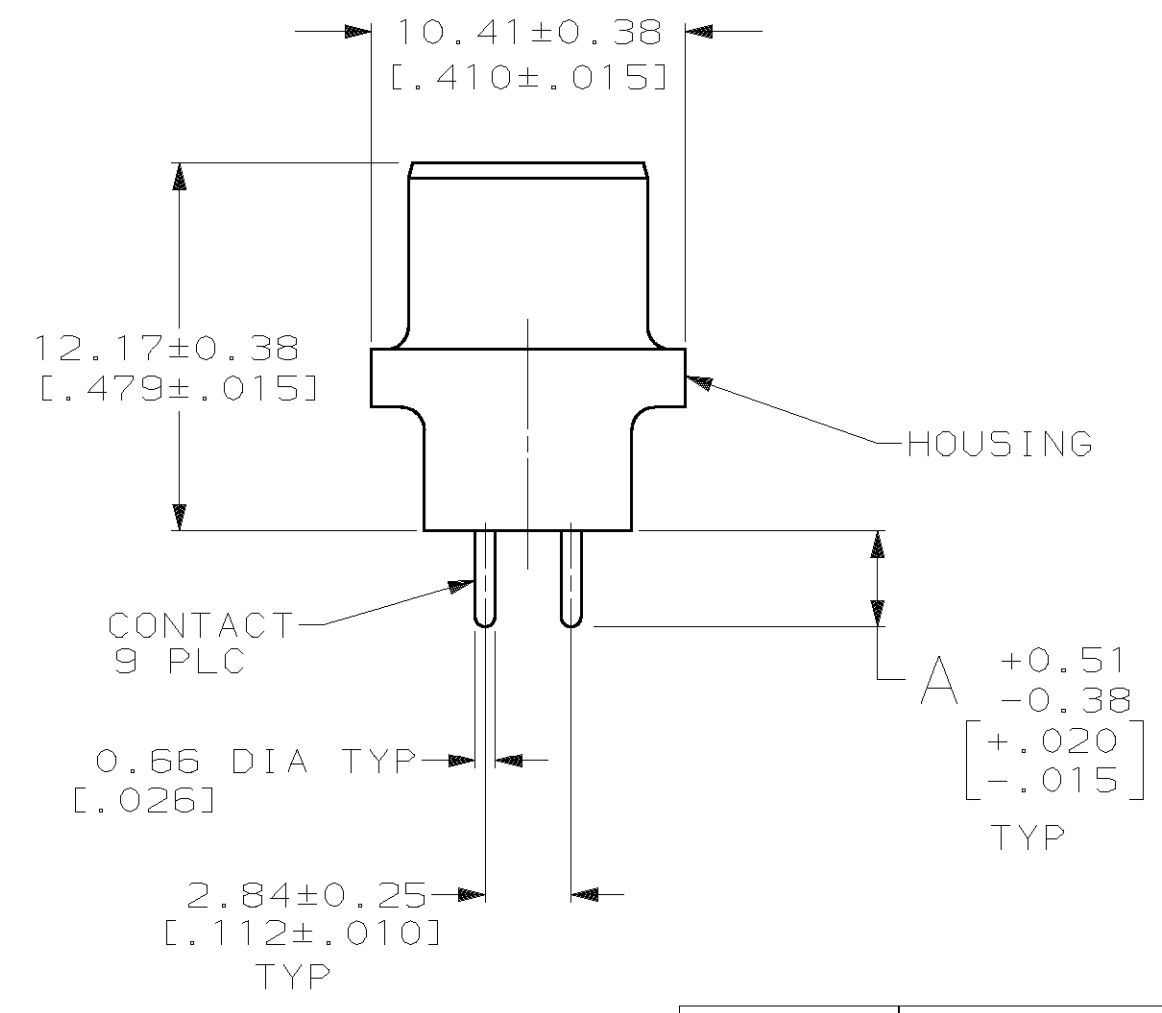
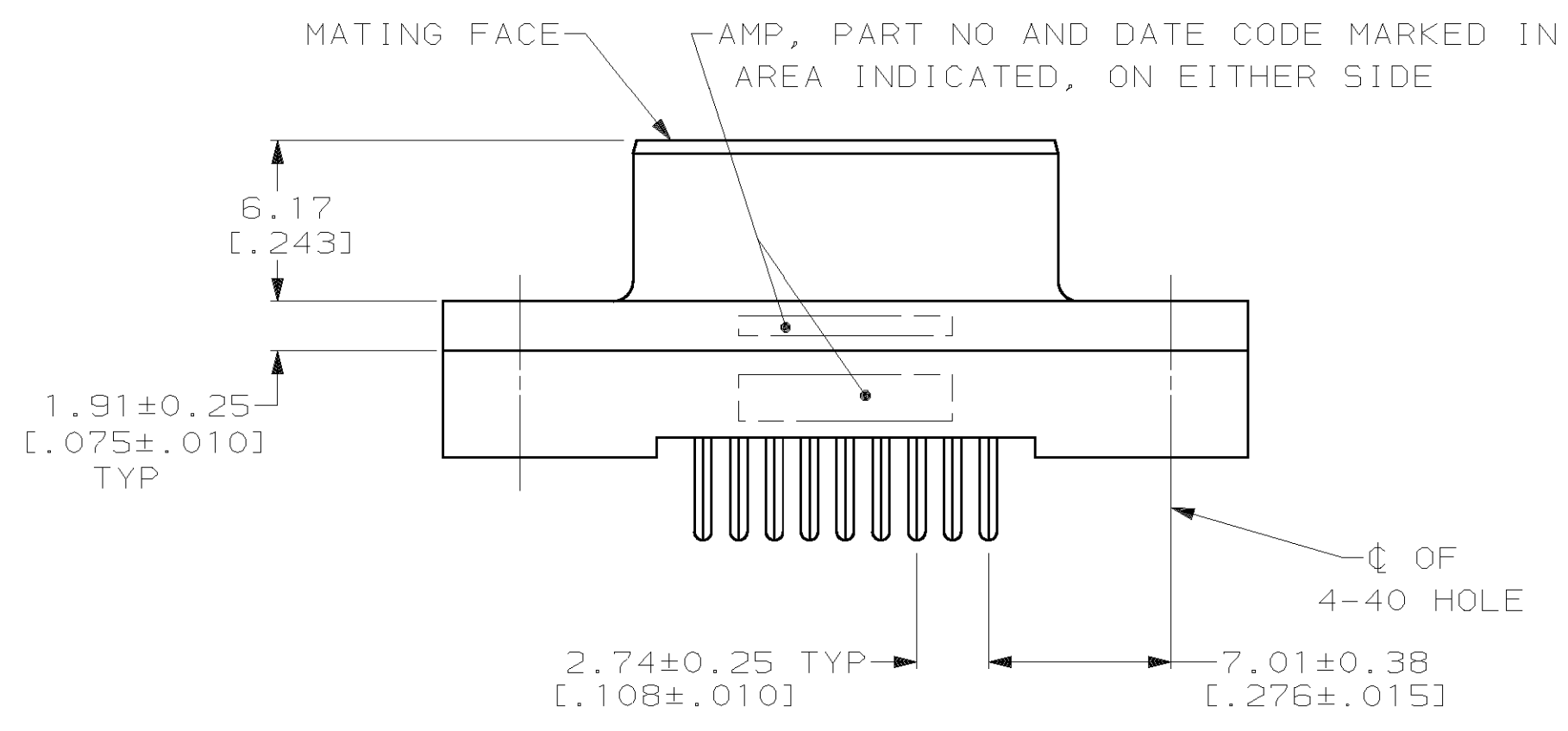


THIS DRAWING IS UNPUBLISHED. RELEASED FOR PUBLICATION .19
 © COPYRIGHT 19 BY AMP INCORPORATED. ALL INTERNATIONAL RIGHTS RESERVED.

LOC		DIST		P		F		REVISIONS		DATE	APPD
ZONE	LTR	DESCRIPTION		DATE	APPD						
BD	77			E		REDRAWN & REVISED, ECN BD3361		11-89	-		
				F		SUPSD-7 & OBS-1, -5, -6 PER EC 0020-964-93		04/11/94	CR		
				G		OBS -8 AND REV PER EC 001D-0126-00		01 NOV 00	RF		



- 1 HOUSING: BLACK POLYESTER, UL 94V-0 RATED; CONTACTS: PHOSPHOR BRONZE PER QQ-B-750; INSERTS: BRASS PER QQ-B-626.
- 2 GOLD PLATING PER MIL-G-45204, TIN PLATING PER MIL-T-10727, NICKEL PLATING PER QQ-N-290.
- 3 GOLD FLASH FOR A LENGTH OF 2.54[.100] MIN FROM MATING END, 2.54μm[.000100] MIN TIN OR TIN-LEAD FOR A LENGTH OF DIMENSION A FROM OPPOSITE END, ALL OVER 1.27μm[.000050] MIN NICKEL.
- 4 0.76μm[.000030] MIN GOLD FOR A LENGTH OF 2.54[.100] MIN FROM MATING END, 2.54μm[.000100] MIN TIN OR TIN-LEAD FOR A LENGTH OF DIMENSION A FROM OPPOSITE END, ALL OVER 1.27μm[.000050] MIN NICKEL.



STATUS	CONTACT FINISH	PART NO
OBSOLETE	6.35 [.250]	207841-8
SUPERSEDED BY 207841-8	6.35 [.250]	207841-7
OBSOLETE	4.32 [.170]	207841-6
OBSOLETE	4.32 [.170]	207841-5
	3.18 [.125]	207841-4
	3.18 [.125]	207841-3
OBSOLETE	3.56 [.140]	207841-1

DO NOT SCALE PRINT. UNLESS SPECIFIED DIMENSIONS IN mm [INCHES] TOLERANCES ON:		DR 11-16-89 J McCLINTON	
2 PLC DEC ± 0.13 [.005]	3 PLC DEC ± -	CHK 2-1-90 R. STONE	
ANGLES ± 2°		APPD 2-2-90 S. SCHIEFFERLY	
MATERIAL		APPD 2-5-90 C. ROHDE	
		PRODUCT SPEC 108-40025	
FINISH 2	CONTACT: SEE TABLE	APPLICATION SPEC -	
		WEIGHT -	
		SIZE C	CAGE CODE 00779
		SCALE 4:1	DRAWING NO 207841
			SHEET 1 OF 1

AMP AMP INCORPORATED
 Harrisburg, Pa. 17105

NAME
 RECEPTACLE ASSEMBLY, SIZE 1,
 9 POSN, VERTICAL,
 AMPLIMITE® HD-20

X-ON Electronics

Largest Supplier of Electrical and Electronic Components

Click to view similar products for [D-Sub Standard Connectors](#) category:

Click to view products by [TE Connectivity](#) manufacturer:

Other Similar products are found below :

[56F711-015](#) [012-9507-004](#) [LV242999-142T12](#) [015-0341-000](#) [015-0372-005](#) [015-0372-008](#) [015-8755-001](#) [020419-0104](#) [012-0467-000](#) [012-0515-000](#) [012-9507-034](#) [012-9507-114](#) [020745-0008](#) [609-25P](#) [M24308/2-23Z](#) [CT2-14S-2PCA34](#) [CT2-18-11PCAU](#) [CT6-10SL-3SC](#) [CT6-10SL-4SC](#) [CT6-14S-2SC](#) [CT6E14SA7SC](#) [M83513/01-FC](#) [M83723/76W24619 L/C](#) [M85049/48-3-2F](#) [6STD09PCM99B70X](#) [6STD09SCM99B30X](#) [6STD09SCT99S40X](#) [6STD15PCT99S40X](#) [6STD15SCM99B30X](#) [6STD15SCT99S40X](#) [6STF09PCM05B70X](#) [7-135760-9](#) [MC11E-10-6SN](#) [747552-3](#) [MD1-21PS](#) [MDM-15SCBRM7-F222](#) [MDM96517-699](#) [MDM96521-744](#) [MDVB1-21SL1](#) [MIK0-1-7SH003](#) [MIKQ6-7SH076](#) [MIKQ7-7PH077](#) [MIKQ7-7PH11](#) [MIKQ7-7PH32](#) [MJSV-28SL61](#) [MKJ4A1F14-55S](#) [8-135760-3](#) [8STD09PCM99B30X](#) [PG-KV/PV-16-GROM-SEALING](#) [GDA15P](#)