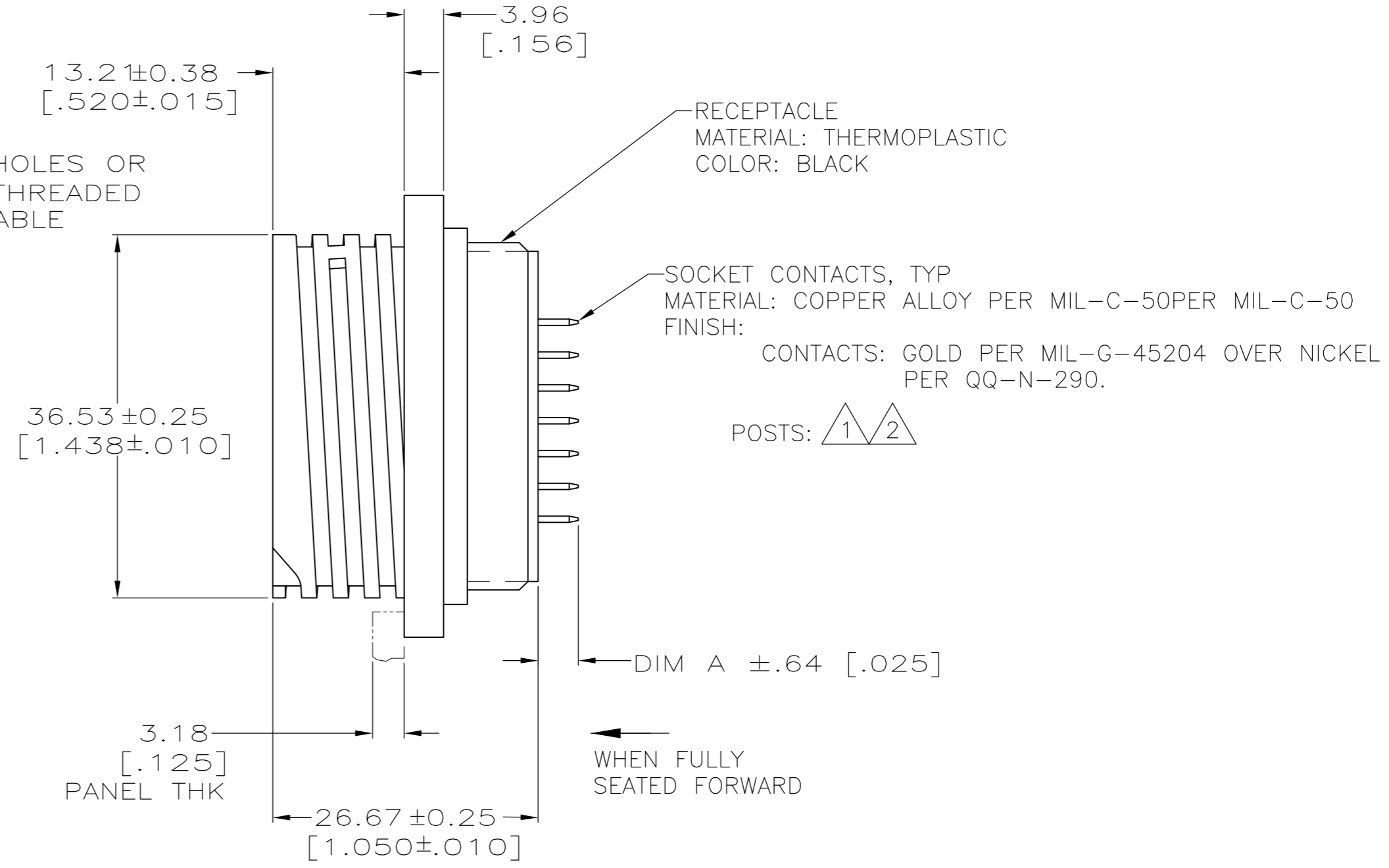
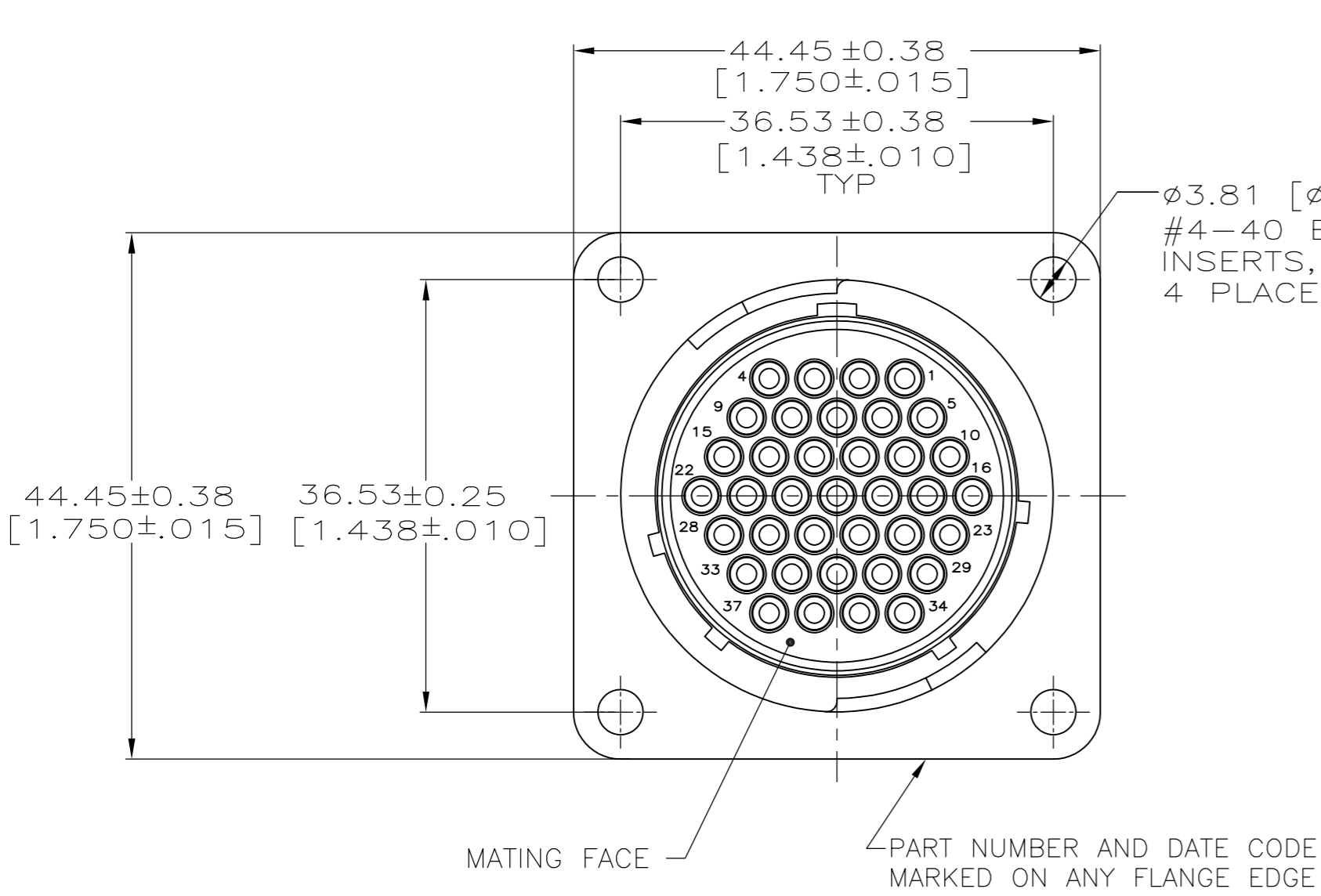
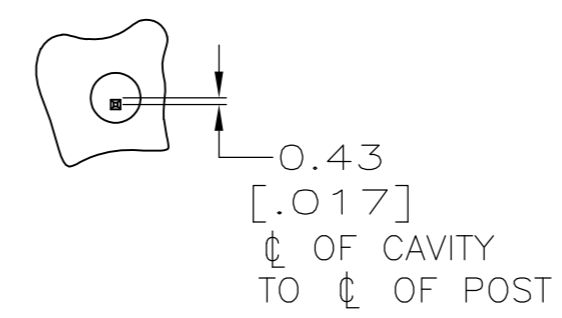


THIS DRAWING IS UNPUBLISHED. RELEASED FOR PUBLICATION
 © COPYRIGHT - By - ALL RIGHTS RESERVED.

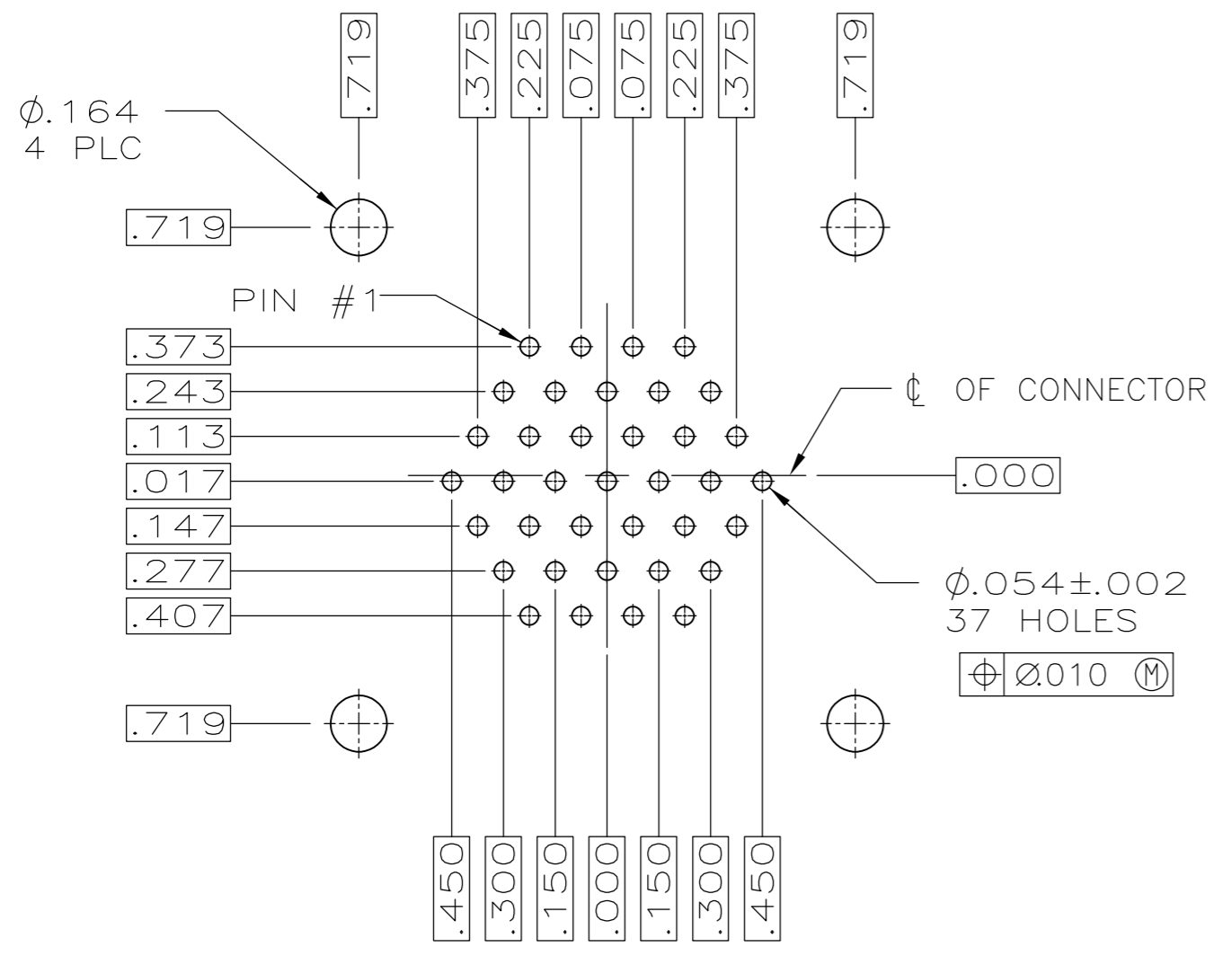
REVISIONS					
P	LTR	DESCRIPTION	DATE	DWN	APVD
F1		REVISED PER ECO-13-017833	12FEB2014	NK	MZ
G		REVISED PER ECO-17-004657	05APR2017	RS	MZ



- $\triangle 1$.000100 MIN. MATTE TIN-LEAD OVER .000050 MIN NICKEL.
- $\triangle 2$.000100 MIN. MATTE TIN OVER .000050 MIN NICKEL.



POST ARRANGEMENT ON REAR FACE



RECOMMENDED P.C. BOARD LAYOUT

OBSOLETE	6.53 [.257]	YES	NO	$\triangle 2$	207890-5
	4.04 [.159]	NO	YES	$\triangle 2$	207890-3
	4.04 [.159]	NO	NO	$\triangle 2$	207890-2
	4.04 [.159]	NO	NO	$\triangle 1$	207890-1
DIM A	4-40 THREADED INSERTS	PERIPHERAL SEAL	FINISH	PART NUMBER	

THIS DRAWING IS A CONTROLLED DOCUMENT.		DWN C.J.REIFSNYDER 05/15/95			
DIMENSIONS: mm [INCHES]		CHK R.STONE 05/24/95			
TOLERANCES UNLESS OTHERWISE SPECIFIED:		APVD AL FRANTUM 05/25/95	NAME		
0 PLC ± -		PRODUCT SPEC	RECEPTACLE ASSEMBLY, POSTED, REVERSE SEX, SERIES 1, 23-37, CPC		
1 PLC ± -		APPLICATION SPEC	SIZE	CAGE CODE	DRAWING NO
2 PLC ± 0.13[.005]		WEIGHT	A2	00779	C=207890
3 PLC ± -		MATERIAL	RESTRICTED TO		
4 PLC ± -		FINISH	SCALE 2:1 SHEET 1 of 1 REV G		
ANGLES ± -		SEE CALLOUT	CUSTOMER DRAWING		

X-ON Electronics

Largest Supplier of Electrical and Electronic Components

Click to view similar products for [Standard Circular Connector](#) category:

Click to view products by [TE Connectivity](#) manufacturer:

Other Similar products are found below :

[5M2530B10P](#) [600259N006](#) [600273N007](#) [6134-336-13149](#) [6134-337-11149](#) [6134-337-2390](#) [6134-341-17149](#) [6280-4SG-516](#) [6280-7SG-3DC](#)
[6290](#) [6291A](#) [66200A-10](#) [680-SMG](#) [681-PMG](#) [CXS3102A14S2P](#) [CXS3102A181S](#) [7271-6SG-300](#) [7282-3PG-300-CH3](#) [75-474618-01S](#) [75-](#)
[474618-04P](#) [75-474618-04S](#) [799539-000](#) [MI8-SE](#) [805-005-07NF11-19PC](#) [805-005-07NF15-7PA](#) [8280-4PG-516](#) [8280-7PG-519](#) [8282-5PG-](#)
[519](#) [836783-1](#) [MP-4102-25P-C](#) [862256-1](#) [864019-2](#) [866857-1](#) [867865-1](#) [PT01SP-14-18P](#) [PT08P-14-5S](#) [120-1833-000](#)
[QCM019PC2DC012B](#) [1-2069279-1](#) [121583-0217](#) [121667-0020](#) [129591AU](#) [1000B BULK](#) [RD10A16-19-P6CS051/1](#) [RD10A20-31-](#)
[P8CS051/1](#) [RD16A14-12-S6CS051/2](#) [1301240290](#) [1301240347](#) [1301860202](#) [1301240268](#) [1301240275](#)