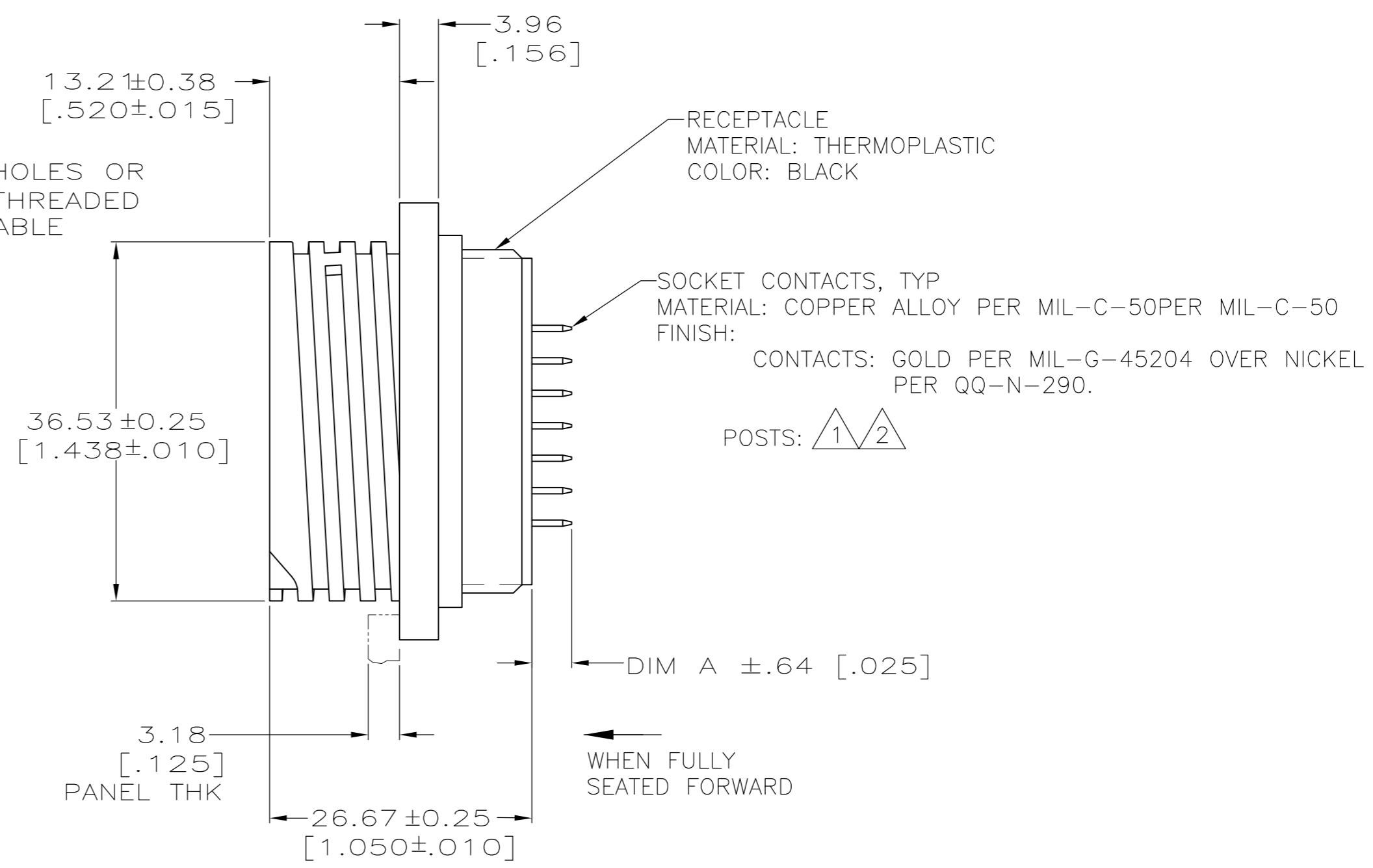
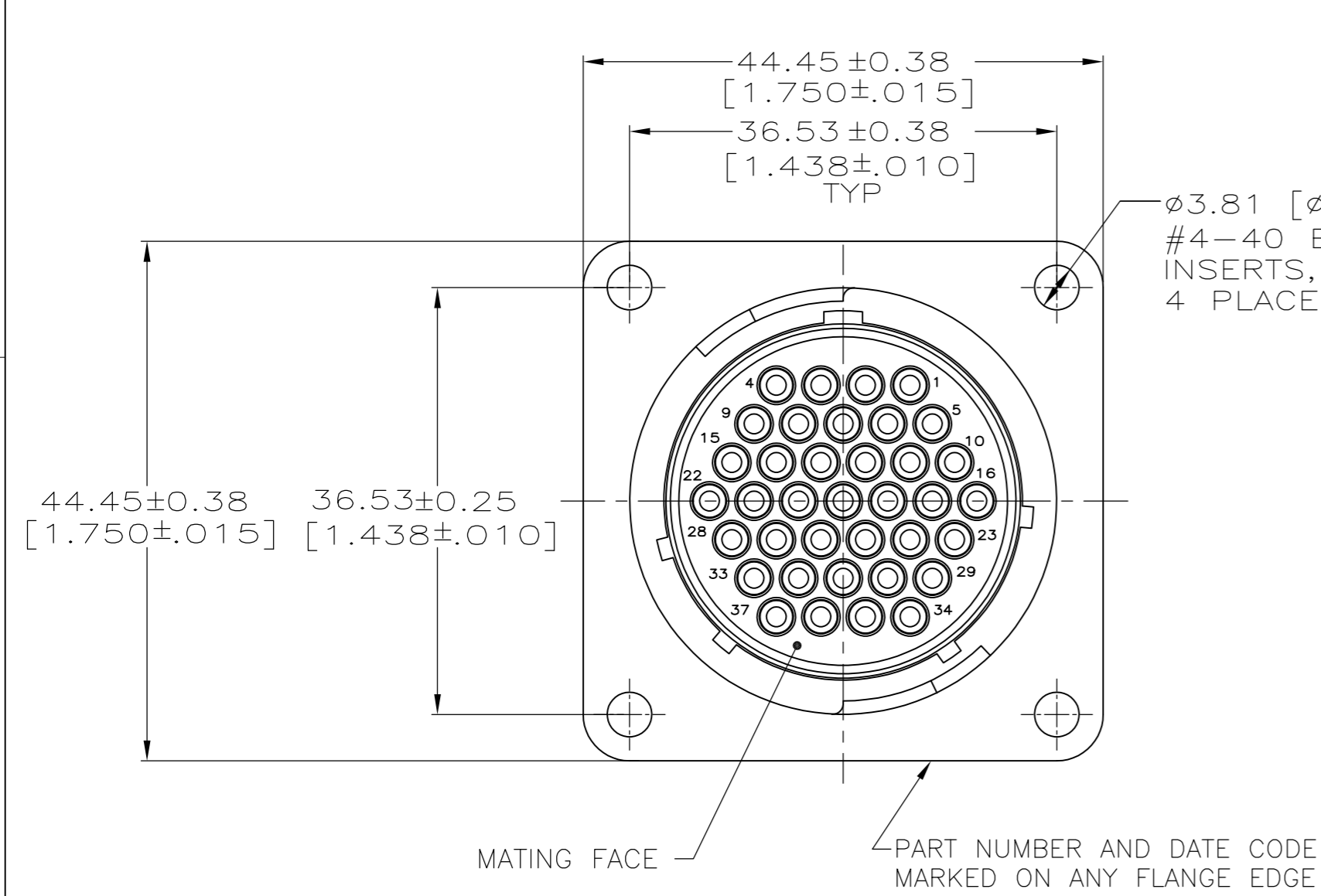
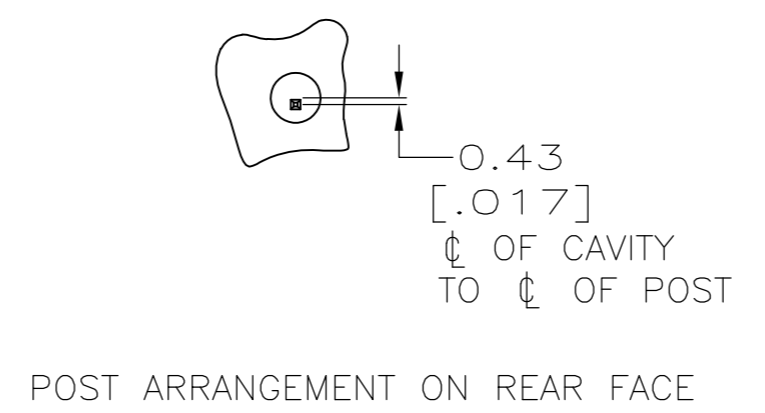
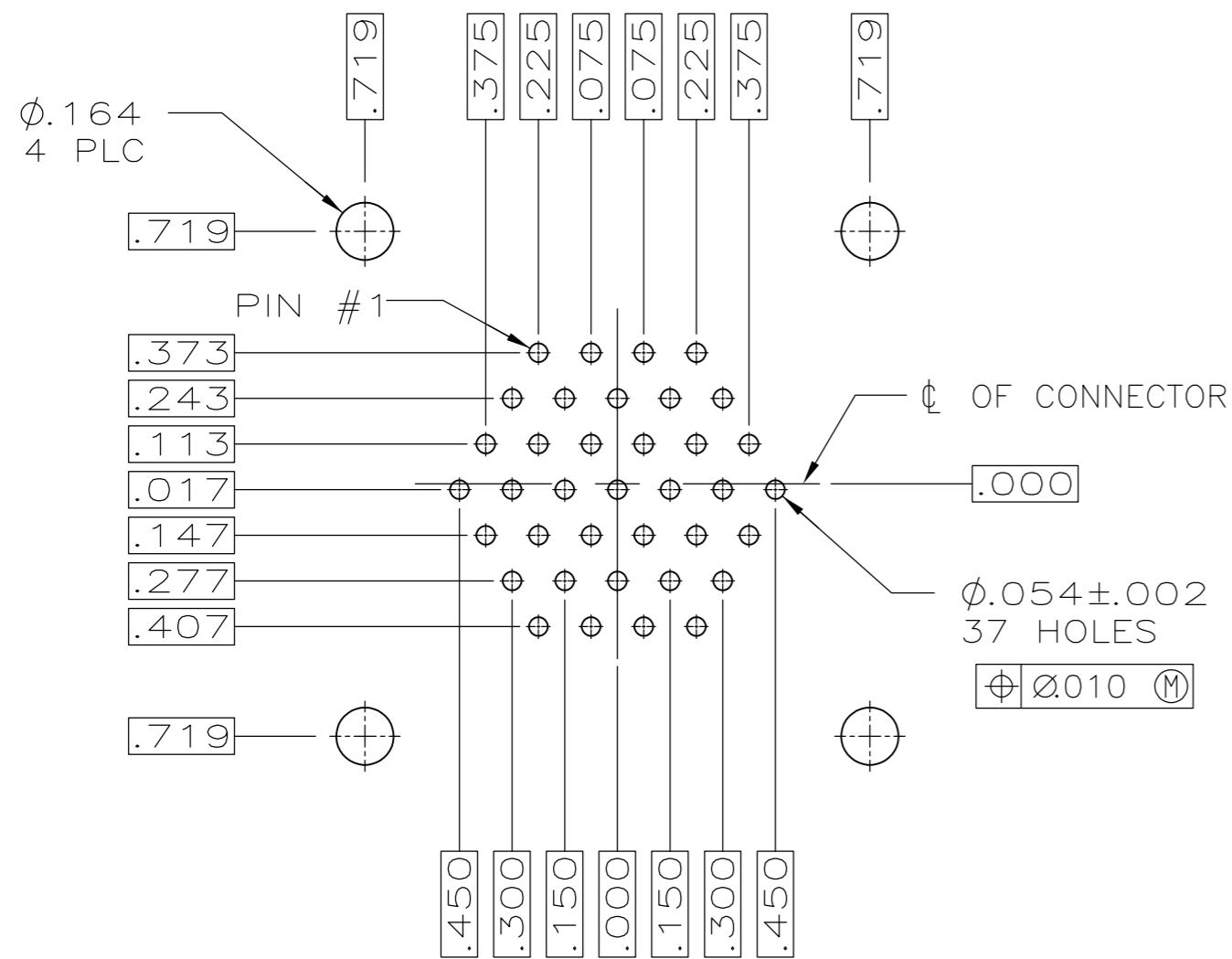


THIS DRAWING IS UNPUBLISHED. RELEASED FOR PUBLICATION
 © COPYRIGHT - By - ALL RIGHTS RESERVED.

REVISIONS					
P	LTR	DESCRIPTION	DATE	DWN	APVD
F1		REVISED PER ECO-13-017833	12FEB2014	NK	MZ
G		REVISED PER ECO-17-004657	05APR2017	RS	MZ



- $\triangle 1$.000100 MIN. MATTE TIN-LEAD OVER .000050 MIN NICKEL.
- $\triangle 2$.000100 MIN. MATTE TIN OVER .000050 MIN NICKEL.



OBSOLETE	6.53 [.257]	YES	NO	$\triangle 2$	207890-5
	4.04 [.159]	NO	YES	$\triangle 2$	207890-3
	4.04 [.159]	NO	NO	$\triangle 2$	207890-2
	4.04 [.159]	NO	NO	$\triangle 1$	207890-1
DIM A	4-40 THREADED INSERTS	PERIPHERAL SEAL	FINISH	PART NUMBER	

RECOMMENDED P.C. BOARD LAYOUT

THIS DRAWING IS A CONTROLLED DOCUMENT.

DIMENSIONS: mm [INCHES]	TOLERANCES UNLESS OTHERWISE SPECIFIED:	DWN C.J. REIFSNYDER 05/15/95	TE Connectivity	
	0 PLC ± -	CHK R.STONE 05/24/95	RECEPTACLE ASSEMBLY, POSTED, REVERSE SEX, SERIES 1, 23-37, CPC	
	1 PLC ± -	APVD AL FRANTUM 05/25/95	SIZE A2	CAGE CODE 00779
	2 PLC ± 0.13 [.005]	PRODUCT SPEC	DRAWING NO C=207890	RESTRICTED TO -
	3 PLC ± -	APPLICATION SPEC	SCALE 2:1	SHEET 1 of 1
4 PLC ± -	FINISH SEE CALLOUT	WEIGHT -	REV G	
MATERIAL SEE CALLOUT	FINISH SEE CALLOUT	CUSTOMER DRAWING		

X-ON Electronics

Largest Supplier of Electrical and Electronic Components

Click to view similar products for [Standard Circular Connector](#) category:

Click to view products by [TE Connectivity](#) manufacturer:

Other Similar products are found below :

[C015](#) [10F006](#) [001](#) [1](#) [5M2530B10P](#) [600247N007](#) [600259N006](#) [600273N007](#) [600432N009](#) [6280-2PG-519](#) [6280-3PG-311](#) [6280-3SG-311](#)
[6280-7SG-3DC](#) [6280-7SG-522](#) [6282-5PG-311](#) [6282-6PG-519](#) [6282-8SG-311](#) [6283-11](#) [6283-15](#) [6290](#) [6293](#) [6382-2PG-311](#) [6382-2PG-3DC](#)
[6382-2SG-321](#) [6382-2SG-3DC](#) [6382-4SG-516](#) [67-03E20-37P](#) [681-PMG](#) [CXC3106A1811S](#) [CXS3102A14S2P](#) [CXS3102A181S](#)
[CXS3106A14S6S](#) [D38999/20FC8SA](#) [L/C](#) [MB12P-1](#) [MB12R-6](#) [7251-2PG-300](#) [7251-2SG-300](#) [7251-4PG-300](#) [7251-4SG-300](#) [7251-5PG-300](#)
[7251-5SG-300](#) [7251-6SG-300](#) [7251-7PG-300](#) [7251-8PG-300](#) [7271-6SG-300](#) [7282-3PG-300-CH3](#) [73000005663](#) [75-190011-03P](#) [75-190216-08S](#) [75-190218-10P](#) [75-214636-52P](#) [75-474118-10P](#) [75-474211-03P](#)