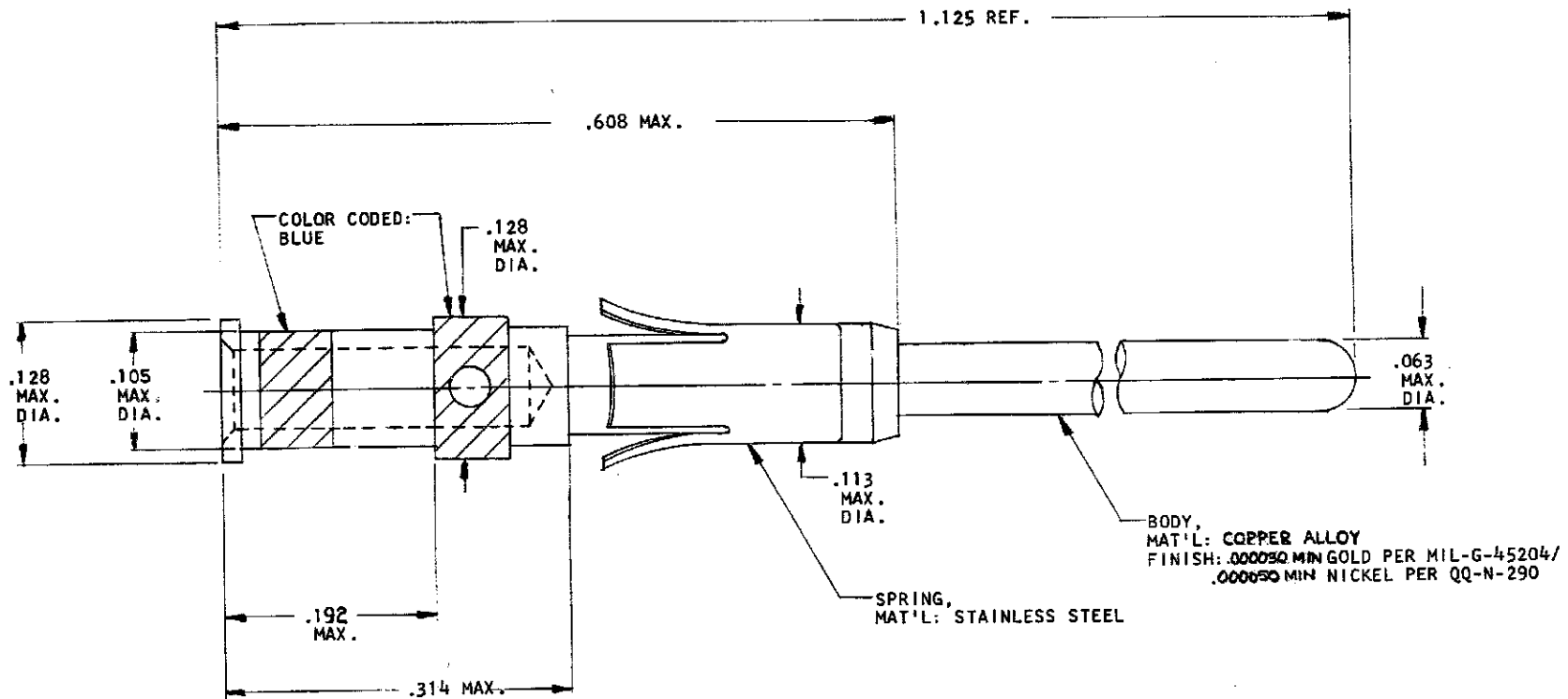
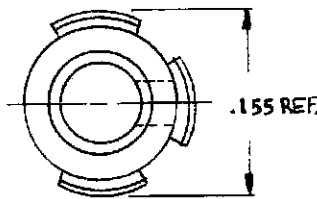


DRAWING MADE IN THIRD ANGLE PROJECTION

© COPYRIGHT 1978 BY AMP INCORPORATED, HARRISBURG, PA.  
 ALL INTERNATIONAL RIGHTS RESERVED. AMP INCORPORATED PRODUCTS  
 COVERED BY U. S. AND FOREIGN PATENTS AND/OR PATENTS PENDING.

207893-1 1. AS SHOWN.

REVISIONS				M	LOC	DIST
P	F	ZONE/LTR	DESCRIPTION	DATE	APPROVED	
0		0	RELEASED	9/8/78	THW	
✓		A	REVISED ECN 54142	9-22-81	THW	
✓		B	REVISED ECN B02619	3-19-89	THW	



UNLESS OTHERWISE SPECIFIED DIMENSIONS ARE IN INCHES. TOLERANCES ON: DECIMALS ± .01 ANGLES ± 1°		CONTRACT NO		PART NO	
MATERIAL SEE CALLOUTS		DR <i>David L. Szymon</i> 9/8/78		AMP INCORPORATED Harrisburg, Pa.	
FINISH SEE CALLOUTS		CHK <i>W. J. [unclear]</i> 9/11		NAME ASSEMBLY, CONTACT, PIN #16, TYPE II, GROUNDING PIN FOR CPC (18-16) WIRE SIZE	
		APP <i>Don Cooby</i> 9/13/78		SIZE CODE IDENT NO DRAWING NO	
		APPD <i>[unclear]</i> 9/15/78		C 00779 207893	
		DSG.J APPD		SCALE	
		OTHER APPD		SHEET 1 OF 1	

## X-ON Electronics

Largest Supplier of Electrical and Electronic Components

*Click to view similar products for [Standard Circular Contacts](#) category:*

*Click to view products by [TE Connectivity](#) manufacturer:*

Other Similar products are found below :

[RC16M23J](#) [133780-1](#) [RM20M13D28](#) [RM24M9D28](#) [RMMX110-1D28](#) [MS3474W10-6P L/C](#) [ELVP16100E](#) [164-901-CD](#) [EN3545007SCE](#)  
[BV002BSQ20049CZ](#) [BV002SSQ160404CZ](#) [1900ND05S1B00B](#) [166566-1](#) [1900ND04S1X00D](#) [ST-JL05-16S-C3-100](#) [ST-JL05-20S-C1-100](#)  
[ST-JL05-20S-C2-100](#) [T01-CRIMP-S03](#) [APK-SA16A07-002](#) [27963-15T12](#) [CONT-JL05-08S-C2-10](#) [CONT-JL05-12S-C1-10](#) [RC16M-23T](#)  
[RFD26L-1D28](#) [BV002ASJ16049CW](#) [JN1-22-20S-R-PKG100](#) [031-50213](#) [031-50565](#) [031-50794](#) [SJS861301M](#) [ST-JL05-16S-C1-100](#) [ST-](#)  
[JL05-20P-C1-100](#) [82911466K](#) [192991-0087](#) [192900-0570](#) [44-100-1414P-1000-101](#) [T3P16FC3LZ](#) [ST-JL05-16S-C2-3500](#) [ZP-4016-10NF](#)  
[CONT-JL05-12P-C1-10](#) [RM20M12G8D28](#) [031-50676](#) [12115010110](#) [RJFTVC2MG](#) [CAP-DACMDPC2](#) [031-50675-002](#) [CAP-DD1FDPC2](#)  
[CAP-DACMDPC1](#) [031-50966-010](#) [ASSP-10-F-A-C-SA](#)