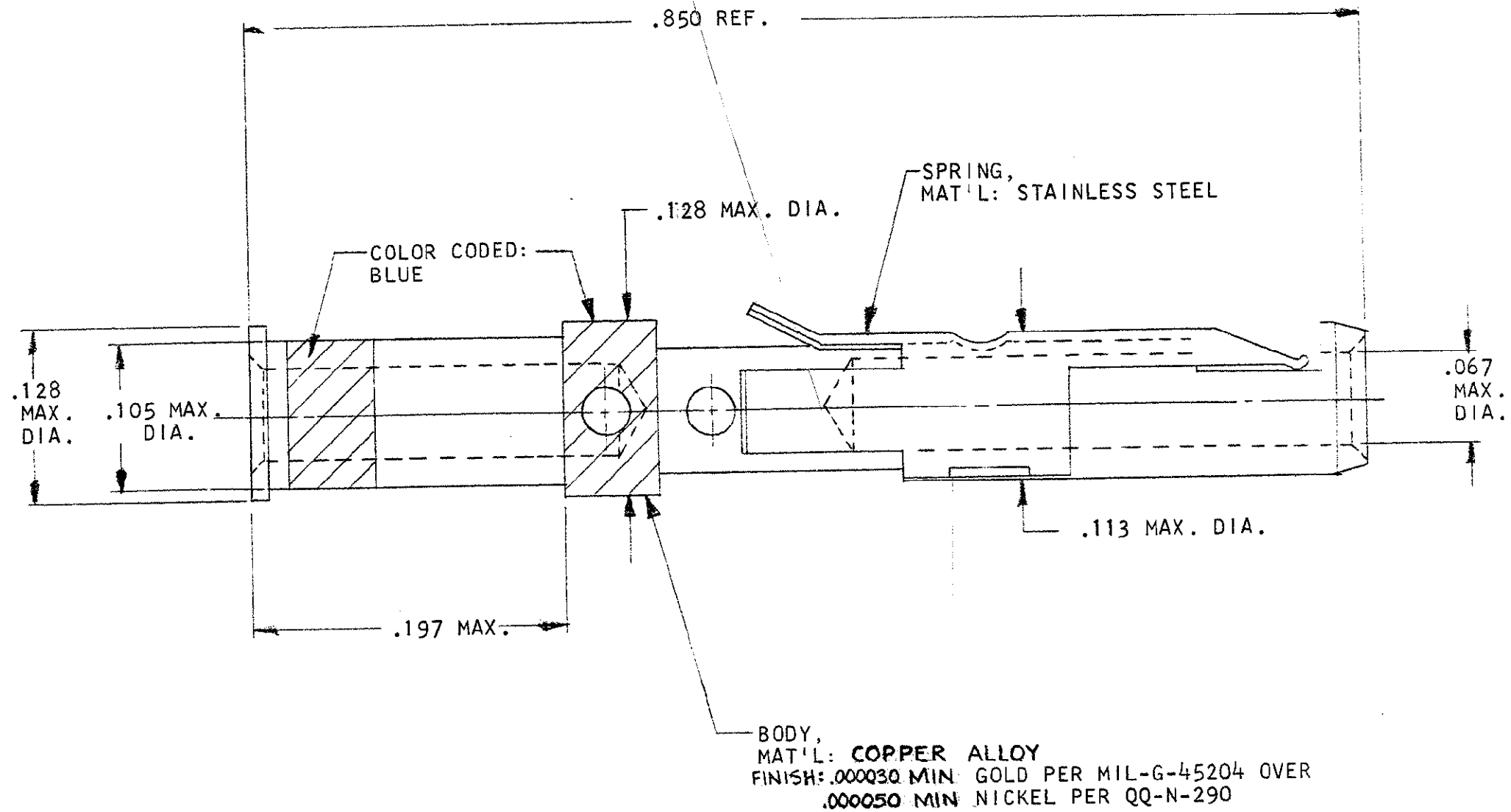
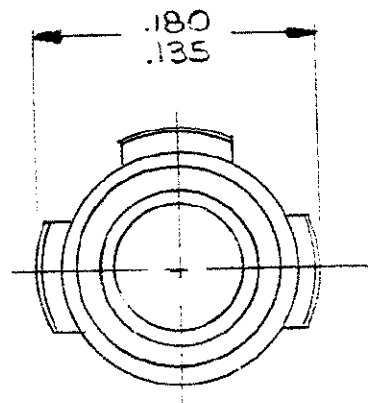


DRAWING MADE IN THIRD ANGLE PROJECTION

© COPYRIGHT 1978 BY AMP INCORPORATED, HARRISBURG, PA.  
 ALL INTERNATIONAL RIGHTS RESERVED. AMP INCORPORATED PRODUCTS  
 COVERED BY U. S. AND FOREIGN PATENTS AND/OR PATENTS PENDING.

207896-1 1. AS SHOWN.

		REVISIONS		M	LOC	DIST
P	F	ZONE	LTR	DATE	APPROVED	
0	✓		0	7-19-78	<i>[Signature]</i>	
✓	✓	A		9-22-81	<i>[Signature]</i>	
✓	✓	B		3-21-89	<i>[Signature]</i>	



UNLESS OTHERWISE SPECIFIED DIMENSIONS ARE IN INCHES. TOLERANCES ON: DECIMALS ## ANGLES ##		CONTRACT NO	AMP INCORPORATED Harrisburg, Pa.
MATERIAL	SEE CALLOUTS	DR <i>[Signature]</i> 11/3/78 CHK <i>[Signature]</i> 9/11 APPD <i>[Signature]</i> 9/13/78 APPD <i>[Signature]</i> 9/15/78	
FINISH	SEE CALLOUTS	DSGN APPD	NAME ASSEMBLY, CONTACT, SOCKET #16, TYPE II, GROUNDING PIN FOR CPC (18-16) WIRE SIZE
		OTHER APPD	SIZE CODE IDENT NO DRAWING NO C C0779 207896
			SCALE <i>[Signature]</i> SHEET 1 OF 1

CUSTOMER DRAWING

## X-ON Electronics

Largest Supplier of Electrical and Electronic Components

*Click to view similar products for [Standard Circular Contacts](#) category:*

*Click to view products by [TE Connectivity](#) manufacturer:*

Other Similar products are found below :

[RC16M23J](#) [133780-1](#) [RM20M13D28](#) [RM24M9D28](#) [RMMX110-1D28](#) [MS3474W10-6P L/C](#) [ELVP16100E](#) [164-901-CD](#) [EN3545007SCE](#)  
[BV002BSQ20049CZ](#) [BV002SSQ160404CZ](#) [1900ND05S1B00B](#) [192900-0718](#) [166566-1](#) [1900ND04S1X00D](#) [ST-JL05-16S-C3-100](#) [ST-JL05-20S-C1-100](#) [ST-JL05-20S-C2-100](#) [T01-CRIMP-S03](#) [APK-SA16A07-002](#) [27963-15T12](#) [CONT-JL05-08S-C2-10](#) [CONT-JL05-12S-C1-10](#)  
[RC16M-23T](#) [RFD26L-1D28](#) [BV002ASJ16049CW](#) [JN1-22-20S-R-PKG100](#) [031-50213](#) [031-50565](#) [031-50794](#) [SJS861301M](#) [ST-JL05-16S-C1-100](#) [ST-JL05-20P-C1-100](#) [82911466K](#) [192991-0087](#) [192900-0570](#) [44-100-1414P-1000-101](#) [T3P16FC3LZ](#) [ST-JL05-16S-C2-3500](#) [ZP-4016-10NF](#) [CONT-JL05-12P-C1-10](#) [RM20M12G8D28](#) [031-50676](#) [12115010110](#) [RJFTVC2MG](#) [CAP-DACMDPC2](#) [031-50675-002](#) [CAP-DD1FDPC2](#) [CAP-DACMDPC1](#) [031-50966-010](#)