

REVISIONS					
P	LTR	DESCRIPTION	DATE	DWN	APVD
	T1	AS PER ECO-20-015929	10NOV2020	RJ	MT

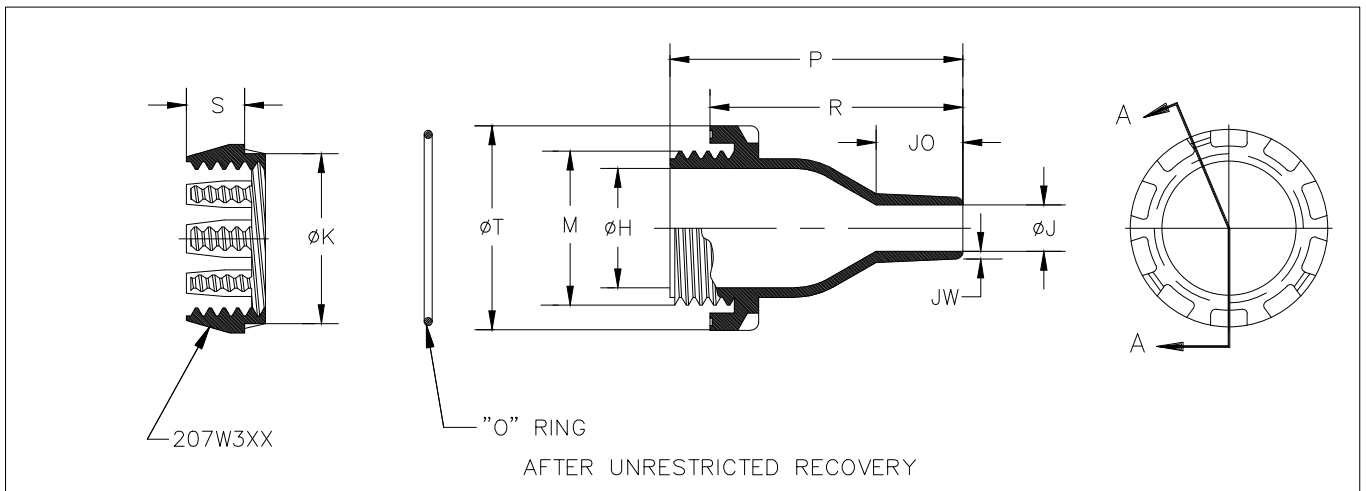
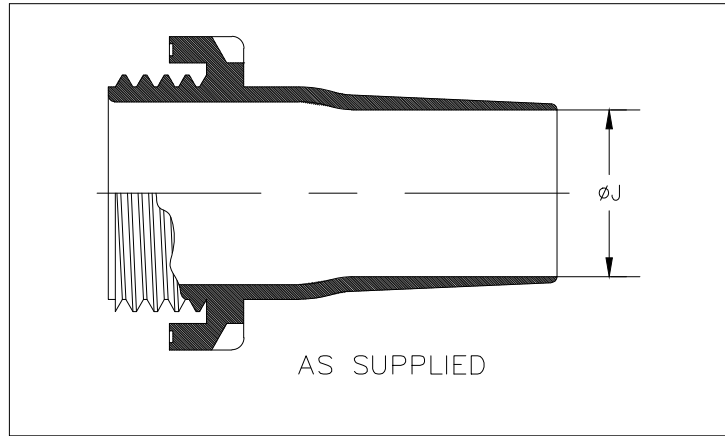


TABLE OF DIMENSIONS

PART NUMBER	H		J		JO Max b	K Ref b	M THREAD b	P $\pm 10\%$ b	R $\pm 10\%$ b	S $\pm 10\%$ b	T Ref b	JW $\pm 20\%$ b	Hole DIA ± 0.5 [.02]	Torque Nm
	Ref b	Min a	Max b											
207W213	12.0 [.47]	10.0 [.39]	4.0 [.15]	15.3 [.60]	23.0 [.90]	20.0 [.78]	62.0 [2.44]	49.0 [1.93]	13.0 [.51]	32.0 [1.25]	1.0 [.04]	24.0 [.94]	3	
207W223	20.0 [.78]	18.0 [.71]	7.0 [.27]	19.5 [.76]	33.0 [1.30]	30.0 [1.18]	72.0 [2.83]	59.0 [2.32]	16.0 [.63]	42.0 [1.65]	1.8 [.07]	34.0 [1.33]	8	
207W234	31.0 [1.22]	28.0 [1.10]	12.0 [.47]	27.0 [1.06]	46.0 [1.81]	42.0 [1.65]	87.0 [3.42]	74.0 [2.91]	18.0 [.71]	58.0 [2.28]	2.5 [.10]	47.0 [1.85]	11	
207W245	45.0 [1.77]	42.0 [1.65]	18.0 [.71]	32.2 [1.26]	59.5 [2.34]	56.0 [2.20]	102.0 [4.01]	89.0 [3.50]	18.0 [.71]	71.0 [2.79]	3.0 [.12]	60.5 [2.38]	14	
207W256	68.0 [2.67]	64.0 [2.52]	30.0 [1.18]	39.0 [1.53]	84.0 [3.30]	80.0 [3.15]	122.0 [4.80]	109.0 [4.29]	18.0 [.71]	97.0 [3.82]	3.0 [.12]	85.0 [3.34]	16	
207W264	40.0 [1.57]	38.0 [1.49]	15.0 [.59]	28.3 [1.11]	54.0 [2.12]	50.0 [1.97]	82.0 [3.74]	82.0 [3.22]	18.0 [.71]	66.5 [2.62]	2.5 [.10]	55.0 [2.16]	11	

TE Connectivity. All Rights Reserved.



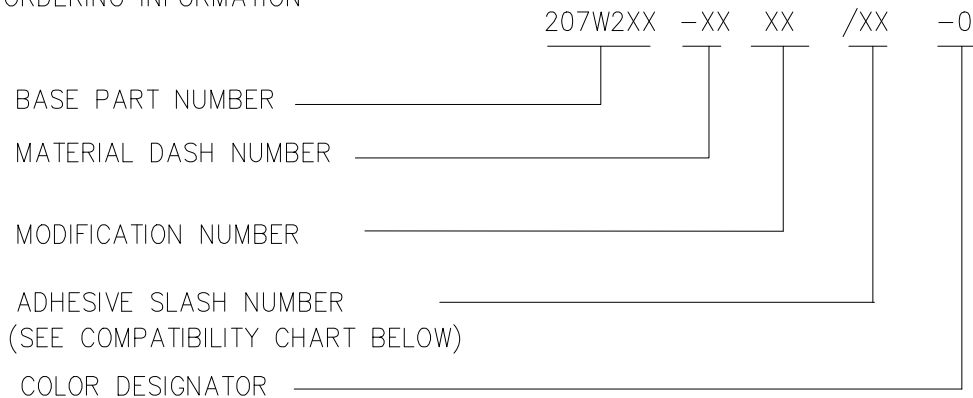
DIMENSIONS: mm [INCHES]	DWN PRAVEEN N T 25JAN2019	MATERIAL SEE SHEET 2	FINISH -
	CHK N NAGAR 25JAN2019	TE Connectivity Ltd.	
TOLERANCES UNLESS OTHERWISE SPECIFIED:	APVD M TAYLOR 25JAN2019		
0 PLC $\pm -$	PRODUCT SPEC -	SIZE A4	RESTRICTED TO -
1 PLC ± 0.50 [.10]	APPLICATION SPEC -	CAGE CODE 00779	DRAWING NO 207W213-XX-0THRU264-XX-0
2 PLC ± 0.25 [.01]		WEIGHT -	
3 PLC ± 0.13 [.005]		SHEET 1 OF 2	
4 PLC $\pm -$		REV T1	
ANGLES $\pm 1^\circ$	CUSTOMER DRAWING		

REVISIONS					
P	LTR	DESCRIPTION	DATE	DWN	APVD
	-	SEE SHEET 1	-	-	-

COMPATIBILITY CHART

MATERIAL DASH NO.	MATERIAL DESCRIPTION	SPEC REFERENCE	COATING SLASH NUMBER	COATING S NUMBER
-3	POLYOLEFIN, SEMI RIGID	RT-301	/42; /86; /180	S1017; S1048; S1030
-4	POLYOLEFIN, FLEXIBLE	RT-1304	/42; /86; /180	S1017; S1048; S1030
-25	ELASTOMER, FLUID RESISTANT	RW-2070	/42; /86; /225	S1017; S1048; S1206
-100	POLYOLEFIN, SEMI FLEXIBLE, ZEROHAL	RW-2082	/86; /180	S1048; S1030

ORDERING INFORMATION



NOTES

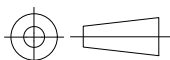
- DIMENSIONS APPEARING IN TABLE ARE AS FOLLOWS:
 - a - AS SUPPLIED
 - b - AFTER UNRESTRICTED RECOVERY
- COATING IS OPTIONAL. AS SUPPLIED DIMENSIONS APPEARING IN TABLE ARE FOR UNCOATED PARTS WHEN COATING IS ADDED, ENTRY DIAMETERS WILL BE REDUCED BY 1.5mm[.06] MAX.
- RECOMENDED MAXIMUM PANEL THICKNESS IS 8mm[.314].

TE Connectivity. All Rights Reserved.

-



DIMENSIONS: mm [INCHES]	DWN PRAVEEN N T	25JAN2019	MATERIAL -	FINISH -
	CHK N NAGAR	25JAN2019	TE Connectivity Ltd.	
TOLERANCES UNLESS OTHERWISE SPECIFIED:	APVD M TAYLOR	25JAN2019		
	0 PLC ± -	PRODUCT SPEC -	SIZE A4	CAGE CODE 00779
1 PLC ± 0,50 [.10]	APPLICATION SPEC -	RESTRICTED TO -	SCALE DNS	
2 PLC ± 0,25 [.01]	WEIGHT	SHEET 2 OF 2		REV T1
3 PLC ± 0,13 [.005]	CUSTOMER DRAWING			
4 PLC ± -				
ANGLES ± -				



X-ON Electronics

Largest Supplier of Electrical and Electronic Components

Click to view similar products for [Heat Shrink Cable Boots & End Caps](#) category:

Click to view products by [TE Connectivity](#) manufacturer:

Other Similar products are found below :

[577159N001](#) [645494-000](#) [CX4132-000](#) [687025-000](#) [705331-000](#) [718446-000](#) [725666N001](#) [729257-000](#) [F27131-000](#) [F85868-000](#) [770-003S106W2](#) [806542N001](#) [807507-000](#) [808059-000](#) [808362-000](#) [808618-000](#) [809125-000](#) [809130-000](#) [809218-000](#) [812014-000](#) [812047-000](#) [813166-000](#) [813767N002](#) [814741-000](#) [819117N001](#) [823026-000](#) [823070-000](#) [825002-000](#) [841189N001](#) [861471-000](#) [866647-000](#) [879515-000](#) [937577-000](#) [957073-000](#) [982033-2](#) [A77813-000](#) [R280576000](#) [D96192-000](#) [163549-000](#) [MTPSRBCL-C](#) [1954015-1](#) [200W531-3-0](#) [202A163-4-0-CS5067](#) [202A343-3-00-0](#) [202B221-13-0](#) [202B231-13-0](#) [202B563-25-07-0](#) [202C241-13-0](#) [202D121-4-01/86-0](#) [202D132-4-07/42-0](#)