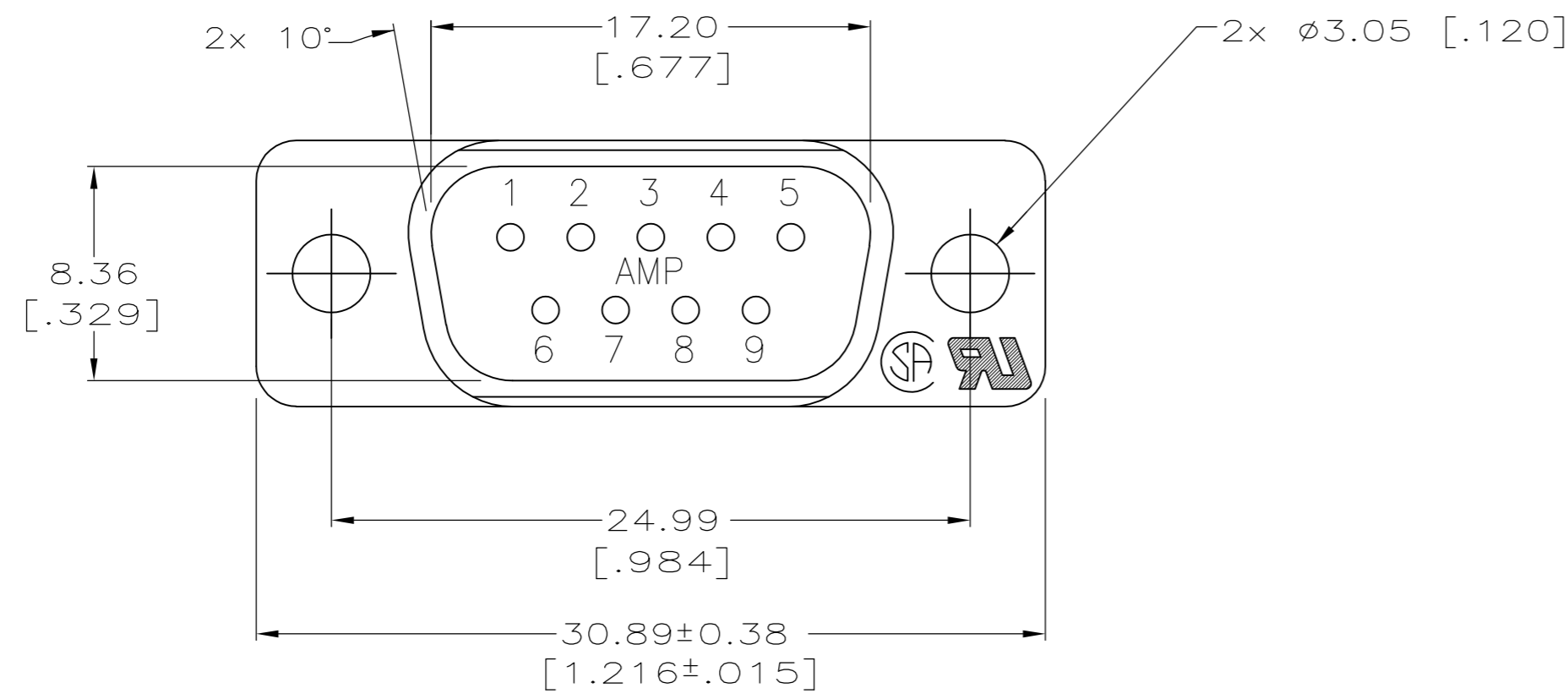
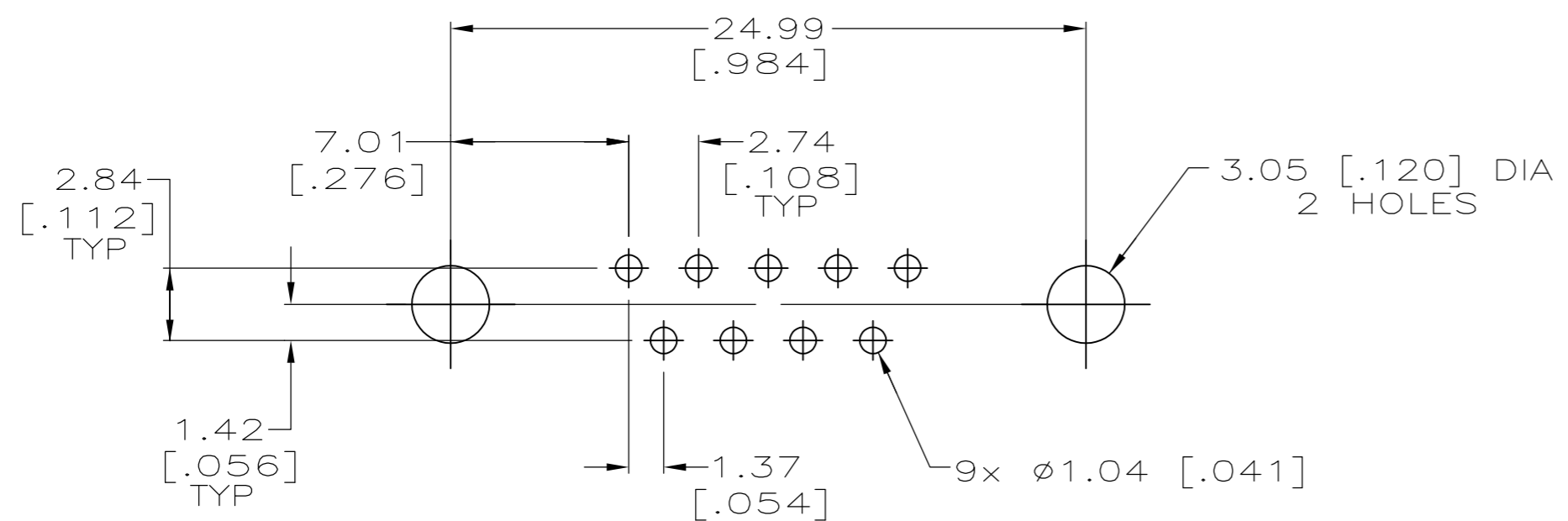
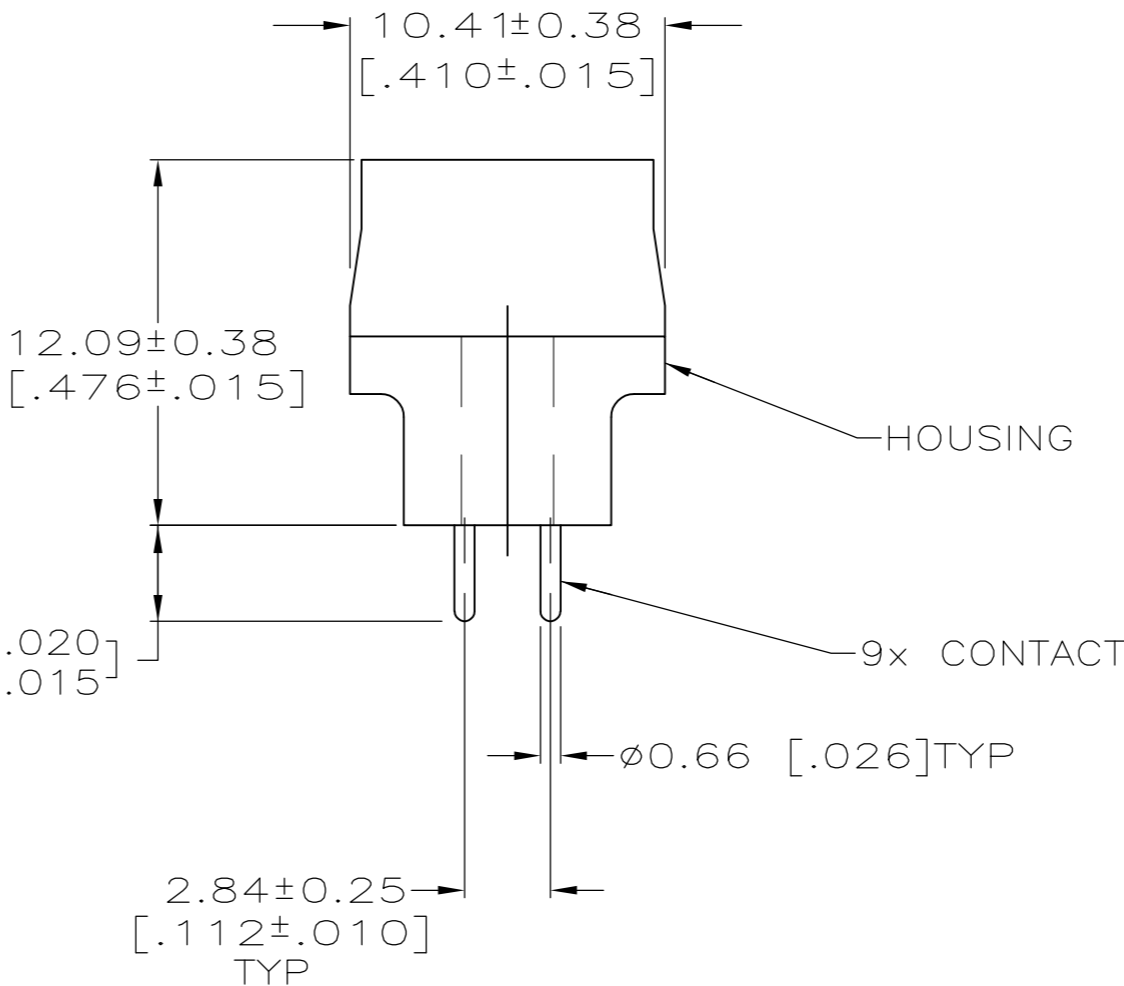
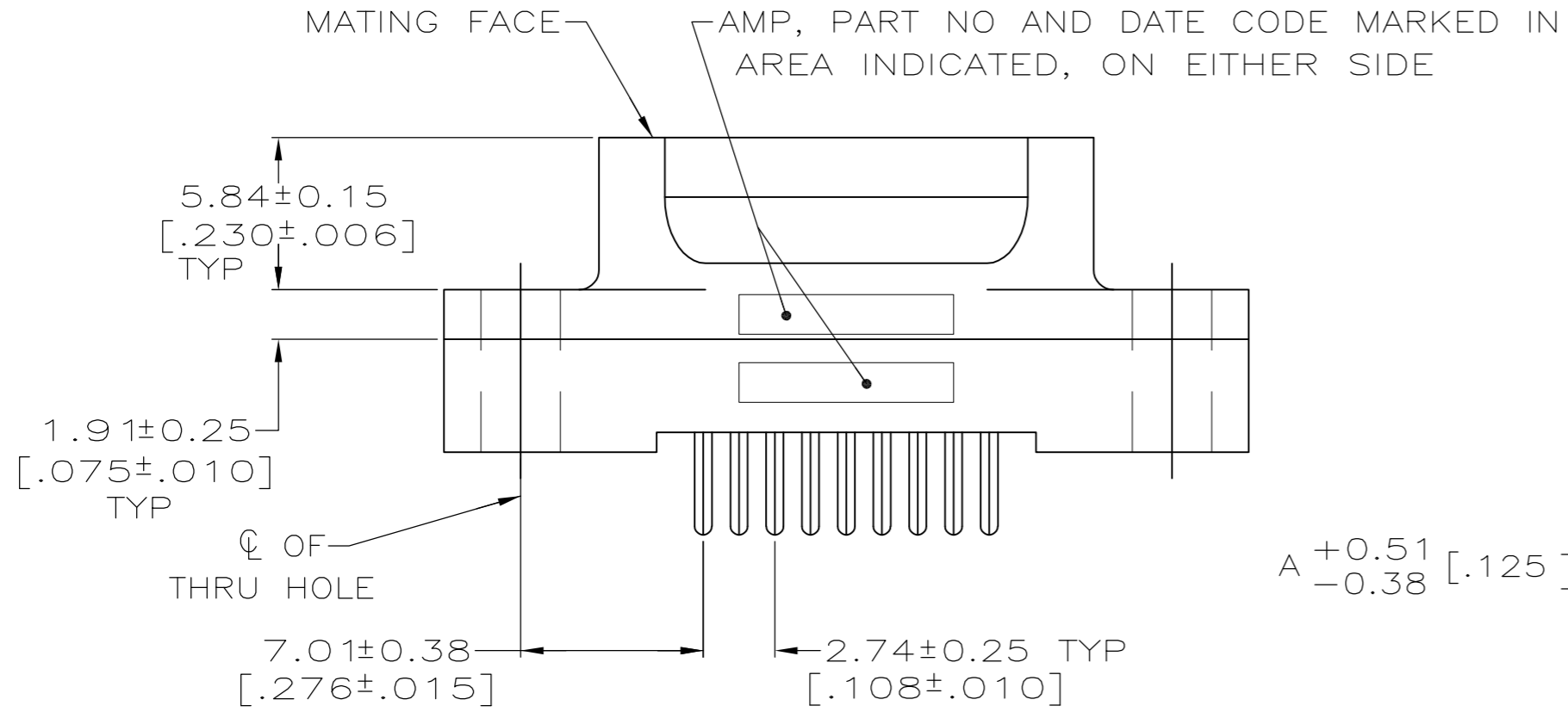


THIS DRAWING IS UNPUBLISHED. RELEASED FOR PUBLICATION  
 © COPYRIGHT - By - ALL RIGHTS RESERVED.

LOC		DIST		REVISIONS			
P	LTR	DESCRIPTION	DATE	DWN	APVD		
GP	00	L1	REVISED PER ECO-11-004835	11MAR11	RK	HMR	



- ① HOUSING: BLACK POLYESTER, UL 94V-0 RATED.  
CONTACTS: BRASS PER MIL-C-50.
- ② GOLD PLATED PER MIL-G-45204,  
TIN PLATING PER MIL-T-10727,, BOTH OVER  
NICKEL PLATING PER QQ-N-290.
- ③ GOLD PLATED FOR LENGTH OF 3.81[.150] MIN FROM MATING END,  
GOLD FLASH IN MATED AREA,  
2.54µm [.000100] MIN TIN OR TIN-LEAD FOR A LENGTH OF DIMENSION A  
FROM OPPOSITE END, ALL OVER  
1.27µm [.000050] MIN NICKEL.
- ④ GOLD PLATED FOR LENGTH OF 3.81[.150] MIN FROM MATING END,  
0.76µm [.000030] MIN GOLD IN MATED AREA,  
2.54µm [.000100] MIN TIN OR TIN-LEAD FOR A LENGTH OF DIMENSION A  
FROM OPPOSITE END, ALL OVER  
1.27µm [.000050] MIN NICKEL.  
OR  
GOLD FLASH OVER PALLADIUM NICKEL PLATED FOR LENGTH OF  
3.81 [.150] MIN FROM MATING END,  
0.76µm [.000030] MIN PALLADIUM NICKEL IN MATED AREA,  
2.54µm [.000100] MIN TIN OR TIN-LEAD FOR A LENGTH OF DIMENSION A  
FROM OPPOSITE END, BOTH OVER  
1.27µm [.000050] MIN NICKEL.
- ⑤ SEE RESTRICTED CUSTOMER DRAWING: 208006-6.



RECOMMENDED PC BOARD MOUNTING DIMENSIONS

OBSOLETE			
OBSOLETE	-	-	⑤
OBSOLETE	6.35 [.250]	③	208006-5
OBSOLETE	4.32 [.170]	③ ④	208006-4
OBSOLETE	4.32 [.170]	③	208006-3
	3.18 [.125]	③ ④	208006-2
	3.18 [.125]	③	208006-1
	A	CONTACT FINISH	PART NUMBER

THIS DRAWING IS A CONTROLLED DOCUMENT.		DWN J. POLIGNONE 01FEB07	TE Connectivity	
DIMENSIONS: mm [INCHES]		CHK E. BRIANT 01FEB07	NAME	
TOLERANCES UNLESS OTHERWISE SPECIFIED:		APVD E. BRIANT 01FEB07	PRODUCT SPEC	
0 PLC ± -		108-40025		
1 PLC ± -		APPLICATION SPEC		
2 PLC ± 0.13 [.005]		SIZE CAGE CODE DRAWING NO		
3 PLC ± -		A2 00779 C=208006		
4 PLC ± -		RESTRICTED TO		
ANGLES ± 2°		SCALE 4:1 SHEET 1 OF 1 REV L1		
FINISH		CUSTOMER DRAWING		

## X-ON Electronics

Largest Supplier of Electrical and Electronic Components

*Click to view similar products for [D-Sub Standard Connectors](#) category:*

*Click to view products by [TE Connectivity](#) manufacturer:*

Other Similar products are found below :

[56F711-015](#) [012-9507-004](#) [LV242999-142T12](#) [015-0341-000](#) [015-0349-000](#) [015-0372-005](#) [015-0372-008](#) [015-8755-001](#) [020419-0104](#) [012-0467-000](#) [012-0515-000](#) [012-9507-034](#) [012-9507-114](#) [020745-0008](#) [609-25P](#) [M24308/2-23Z](#) [CT2-14S-2PCA34](#) [CT2-18-11PCAU](#) [CT2-36-15SC](#) [CT6-14S-2SC](#) [CT6E14SA7SC](#) [CT6E22-14PC](#) [CT6E22-14PS](#) [CT6E22-22PS](#) [M83513/01-FC](#) [M85049/48-3-2F](#) [6STD09PCM99B70X](#) [6STD09SCM99B30X](#) [6STD09SCT99S40X](#) [6STD15PCT99S40X](#) [6STD15SCM99B30X](#) [6STD15SCT99S40X](#) [6STF09PCM05B70X](#) [7-135760-9](#) [MC11E-10-6SN](#) [747552-3](#) [MD1-21PS](#) [MDM-15SCBRM7-F222](#) [MDM96517-699](#) [MDM96521-744](#) [MDVB1-21SL1](#) [MIK0-1-7SH003](#) [MIKQ6-7SH076](#) [MIKQ7-7PH077](#) [MIKQ7-7PH11](#) [MIKQ7-7PH32](#) [MIKQ9-7PH003](#) [MJSV-28SL61](#) [MKJ4A1F14-55S](#) [8-135760-3](#)