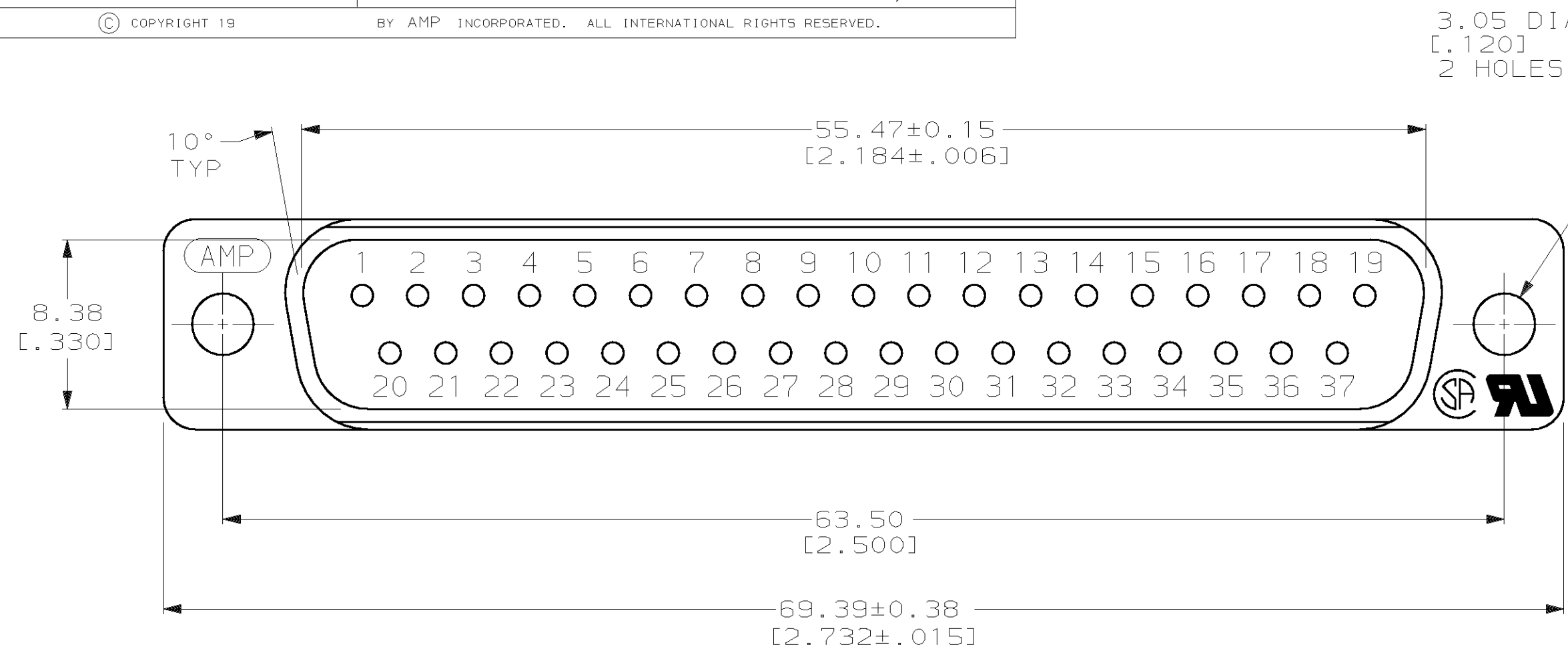
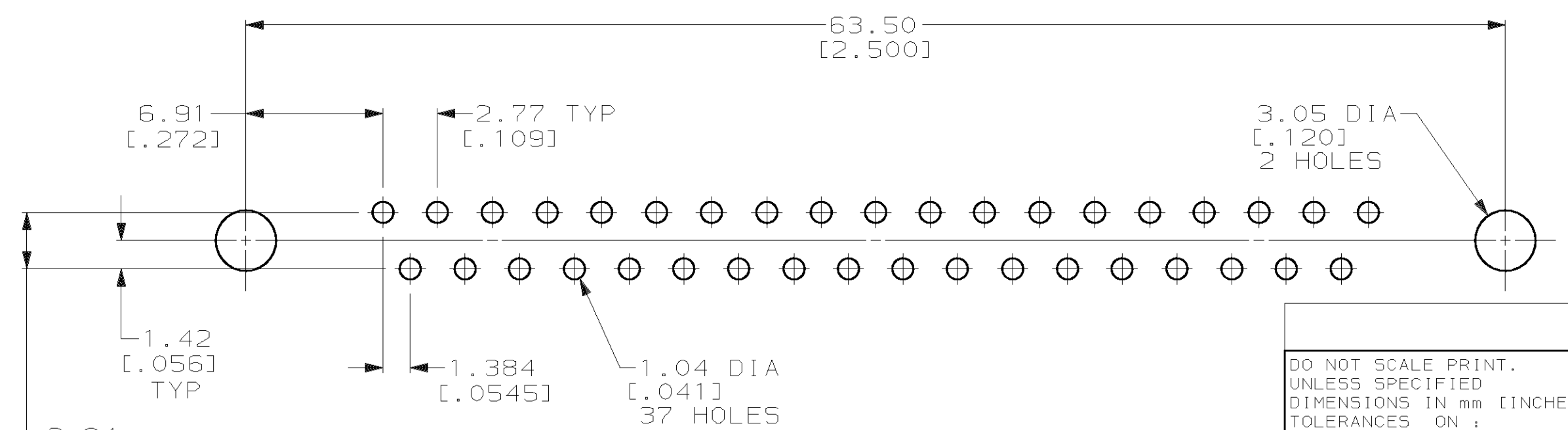
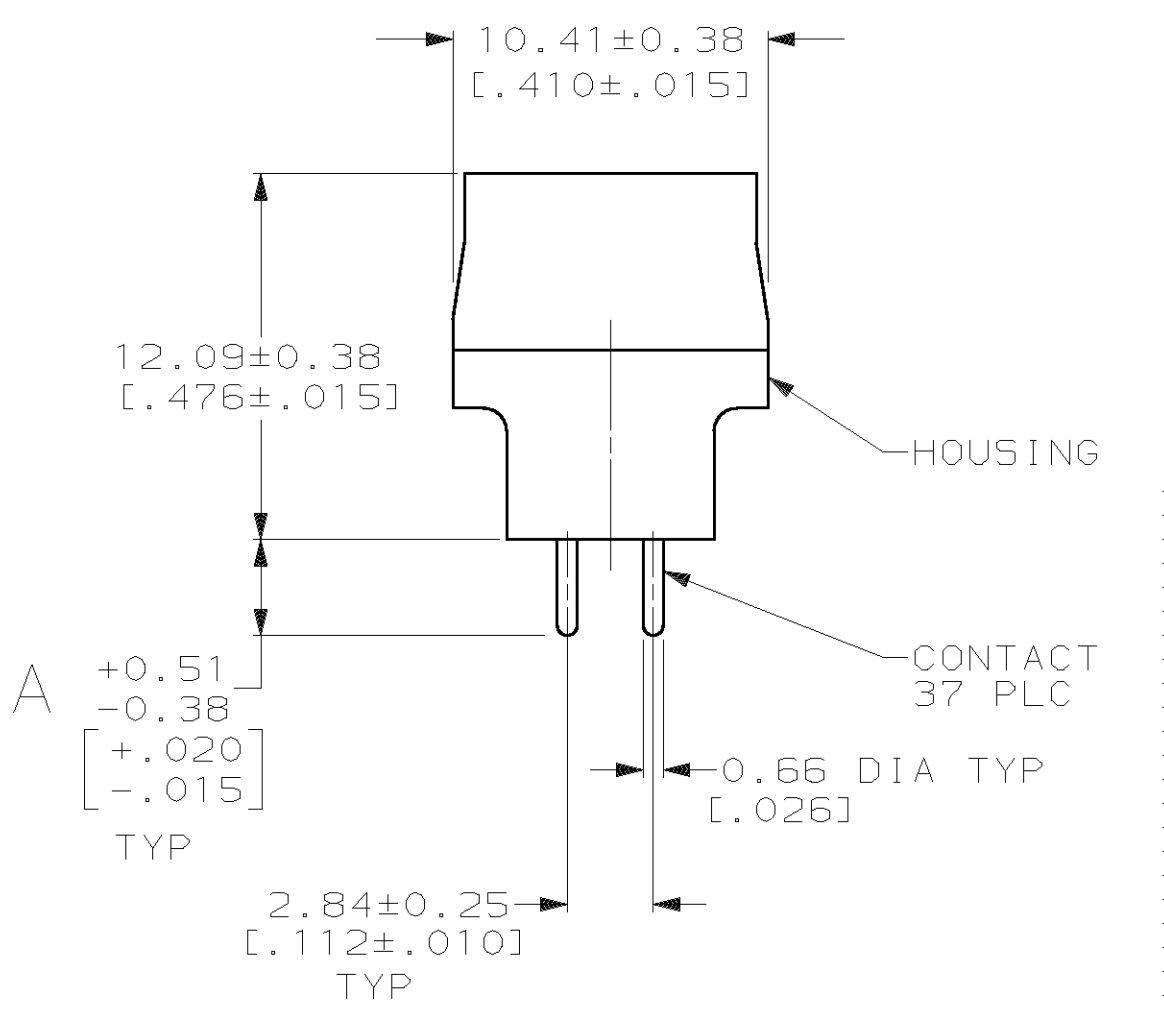
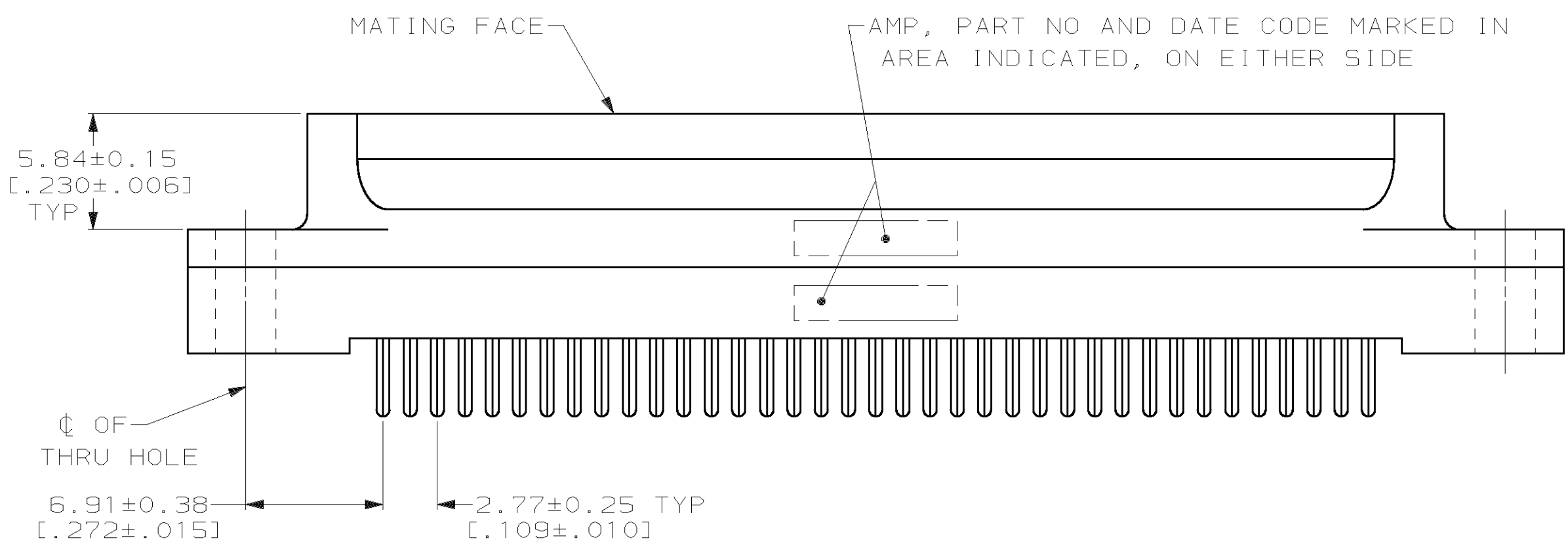


THIS DRAWING IS UNPUBLISHED. RELEASED FOR PUBLICATION  
 © COPYRIGHT 19 BY AMP INCORPORATED. ALL INTERNATIONAL RIGHTS RESERVED.

LOC	DIST	P	F	ZONE	LTR	DESCRIPTION	DATE	APPD
BD	77				E	REDRAWN & REVISED, ECN BD3361	11-89	-
					F	OBS-4, -5, -6 PER EC 0020-964-93	04/11/94	CR
					G	SUPERSEDED -2 PER EC 0020-506-96	06 MAR 97	RT
					H	REV PER EC 0640-421-98	17 MAR 99	RT



- 1 HOUSING: BLACK POLYESTER, UL 94V-0 RATED; CONTACT: BRASS PER MIL-C-50.
- 2 GOLD PLATING PER MIL-G-45204, TIN PLATING PER MIL-T-10727, NICKEL PLATING PER QQ-N-290.
- 3 GOLD PLATED FOR A LENGTH OF 3.81 [0.150] MIN FROM MATING END, GOLD FLASH IN MATED AREA, 2.54µm [0.000100] MIN TIN OR TIN-LEAD FOR A LENGTH OF DIMENSION A FROM OPPOSITE END, ALL OVER 1.27µm [0.000050] MIN NICKEL.
- 4 0.76µm [0.000030] MIN GOLD FOR A LENGTH OF 3.81 [0.150] MIN FROM MATING END, 2.54µm [0.000100] MIN TIN OR TIN-LEAD FOR A LENGTH OF DIMENSION A FROM OPPOSITE END, ALL OVER 1.27µm [0.000050] MIN NICKEL.



	A	CONTACT FINISH	PART NO
OBSOLETE	6.35 [0.250]	4	208009-6
OBSOLETE	6.35 [0.250]	3	208009-5
OBSOLETE	4.32 [0.170]	4	208009-4
	4.32 [0.170]	3	208009-3
SUPSD BY 208009-1	3.18 [0.125]	4	208009-2
	3.18 [0.125]	3	208009-1

RECOMMENDED PC BOARD MOUNTING DIMENSIONS

DO NOT SCALE PRINT. UNLESS SPECIFIED DIMENSIONS IN mm [INCHES] TOLERANCES ON: 2 PLC DEC ± 0.13 [0.005] 3 PLC DEC ± - ANGLES ± 2°	DR 11-14-89 J McCLINTON CHK 1-31-90 R.STONE APPD 2-2-90 S.SCHIEFERLY APPD 2-5-90 C.ROHDE PRODUCT SPEC 108-40025 APPLICATION SPEC - WEIGHT -	AMP INCORPORATED Harrisburg, Pa. 17105 NAME PLUG ASSEMBLY, SIZE 4, 37 POSN, VERTICAL, AMPLIMITE® HD-20 SIZE C CAGE CODE 00779 DRAWING NO 208009 SCALE 4:1 SHEET 1 OF 1
---	--	--

## X-ON Electronics

Largest Supplier of Electrical and Electronic Components

*Click to view similar products for [D-Sub Standard Connectors](#) category:*

*Click to view products by [TE Connectivity](#) manufacturer:*

Other Similar products are found below :

[56F711-015](#) [012-9507-004](#) [LV242999-142T12](#) [015-0341-000](#) [015-0372-005](#) [015-0372-008](#) [015-8755-001](#) [020419-0104](#) [012-0467-000](#) [012-0515-000](#) [012-9507-034](#) [012-9507-114](#) [020745-0008](#) [609-25P](#) [M24308/2-23Z](#) [CT2-14S-2PCA34](#) [CT2-18-11PCAU](#) [CT6-10SL-3SC](#) [CT6-10SL-4SC](#) [CT6-14S-2SC](#) [CT6E14SA7SC](#) [M83513/01-FC](#) [M83723/76W24619 L/C](#) [M85049/48-3-2F](#) [6STD09PCM99B70X](#) [6STD09SCM99B30X](#) [6STD09SCT99S40X](#) [6STD15PCT99S40X](#) [6STD15SCM99B30X](#) [6STD15SCT99S40X](#) [6STF09PCM05B70X](#) [7-135760-9](#) [MC11E-10-6SN](#) [747552-3](#) [MD1-21PS](#) [MDM-15SCBRM7-F222](#) [MDM96517-699](#) [MDM96521-744](#) [MDVB1-21SL1](#) [MIK0-1-7SH003](#) [MIKQ6-7SH076](#) [MIKQ7-7PH077](#) [MIKQ7-7PH11](#) [MIKQ7-7PH32](#) [MJSV-28SL61](#) [MKJ4A1F14-55S](#) [8-135760-3](#) [8STD09PCM99B30X](#) [PG-KV/PV-16-GROM-SEALING](#) [GDA15P](#)