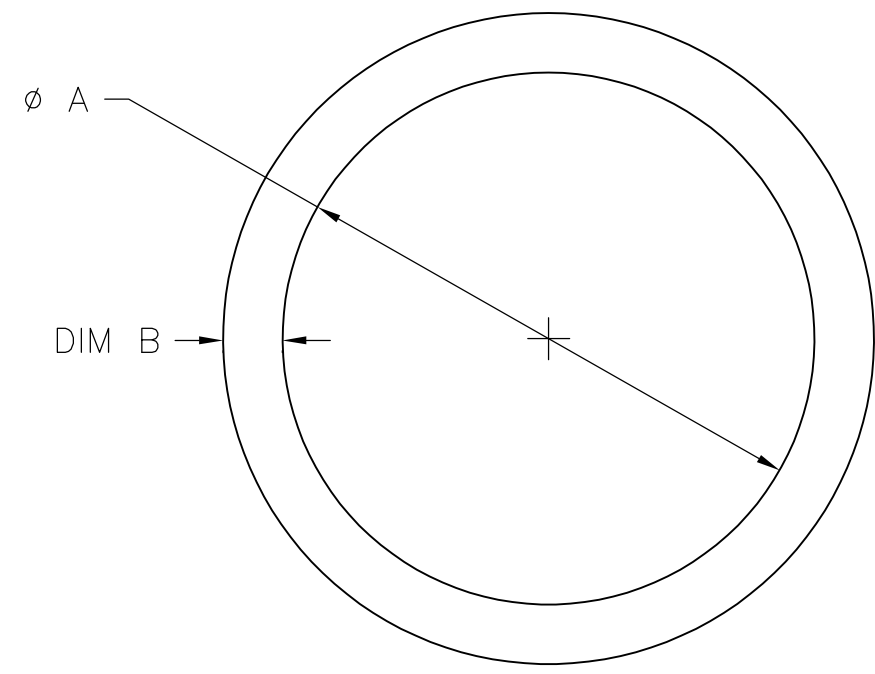



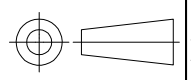
THIS DRAWING IS UNPUBLISHED. RELEASED FOR PUBLICATION - , - .
 © COPYRIGHT - By - ALL RIGHTS RESERVED.

| LOC | | DIST | | REVISIONS | | | |
|-----|-----|-------------|--|-----------|-----|------|--|
| P | LTR | DESCRIPTION | | DATE | DWN | APVD | |
| | A | RELEASED | | 1-15-14 | CT | WB | |



| PART NUMBER | MIL. SPECIFICATION | "A" DIM. | "B" DIM. |
|-------------|----------------------------|------------|----------|
| 208039-8 | FLUROSILICONE DUROMETER 60 | 1.378±.012 | .059 |
| 208039-9 | FLUROSILICONE DUROMETER 60 | 1.095±.010 | .059 |

1 MATERIAL: FLUROSILICONE PER MIL-R-25988, CLASS 1, GR 60, DUROMETER 60.

| | | | | | |
|--|--|-------------------------------|---|-----------|------------|
| THIS DRAWING IS A CONTROLLED DOCUMENT. | | DWN C.C.THOMAS 1-15-14 |  TE Connectivity | | |
| DIMENSIONS: INCHES  | | CHK W.BERNHART 1-15-14 | | | |
| TOLERANCES UNLESS OTHERWISE SPECIFIED: 0 PLC ± - 1 PLC ± - 2 PLC ± .02 3 PLC ± .005 4 PLC ± - ANGLES ± - | | APVD W.BERNHART 1-15-14 | O- RING FOR ARINC 600 TYPE CONNECTORS | | |
| MATERIAL | | PRODUCT SPEC | RESTRICTED TO | | |
| FINISH | | APPLICATION SPEC | SIZE | CAGE CODE | DRAWING NO |
| 1 | | WEIGHT | A3 | 00779 | C-208039 |
| CUSTOMER DRAWING | | | SCALE | SHEET | REV |
| | | | 3:1 | 1 OF 1 | A |

X-ON Electronics

Largest Supplier of Electrical and Electronic Components

Click to view similar products for [Rack & Panel Connectors](#) category:

Click to view products by [TE Connectivity](#) manufacturer:

Other Similar products are found below :

[00170420102](#) [00171410002](#) [00171420202](#) [00171440002](#) [008026165000265](#) [00-8219-072-000-112P44](#) [008219072000112P5](#)
[008219072000112P61](#) [00-8223-096-580-102](#) [02-014-013-5200-000](#) [00-8129-015-610-108](#) [613467-000](#) [CTJ112E01E-513](#) [CTJ116E03A-513](#)
[CTJ720E01B-513 L/C](#) [M81714/63-22S L/C](#) [M81714/65-12-1](#) [66020-2](#) [CW8958-000](#) [699886-000](#) [D250-50632](#) [70.400.3240.0](#) [70.955.2453.3](#)
[733753-000](#) [F22831-000](#) [780-522-DPX34RG8-02](#) [MMA25-0051R1](#) [MMA25-0341D1](#) [8660-501](#) [87.060.0053.0](#) [900709N001](#) [QRP4-12P-](#)
[C\(01\)](#) [QR/P6-6S-C\(01\)](#) [AC-600003-004](#) [1218600-1](#) [D-659-0061](#) [DMC-MD 24 C-T](#) [1-445717-6](#) [1484398-2](#) [1484399-2](#) [1484469-2](#) [MR-](#)
[34MG](#) [1484225-1](#) [1484398-1](#) [1484510-4](#) [1604997-2](#) [1663130-1](#) [1663767-7](#) [1663767-8](#) [MTC100-BF1-P31CS015](#)