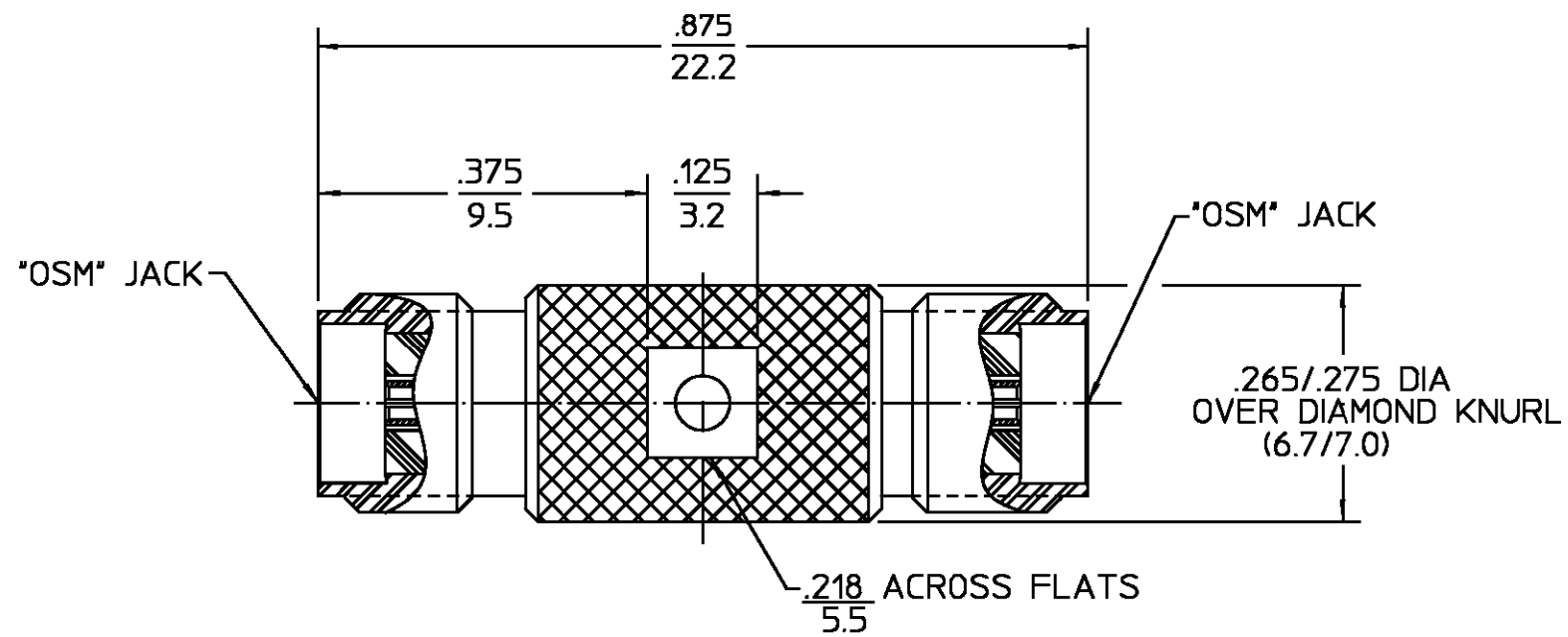


REVISIONS			
REV	DESCRIPTION	DATE	APPROVED
03 <sub>3</sub>	REDRAWN ON CAD, ECN 96-0048	11/14/71	RAC



HOUSING	STAINLESS STEEL PER ASTM-A484 AND ASTM-A582, TYPE 303	PASSIVATE PER QQ-P-35
DIELECTRIC	TFE FLUOROCARBON PER MIL-P-19468 AND ASTM-D-1457	N/A
CENTER CONTACT	BERYLLIUM COPPER PER ASTM-B196 ALLOY C17300, COND H	GOLD PLATE PER MIL-G-45204
COMPONENT	MATERIAL	FINISH

.XXX = in  
XX.X = mm (REF)

NOTES:  
1. CAPTURED CENTER CONTACT

UNLESS OTHERWISE SPECIFIED DIMENSIONS ARE IN INCHES	DRAWN BY K. L.	DATE 11/2/71	<b>AMP</b> AMP Incorporated 140 Fourth Avenue Waltham, MA 02451-7599	
FRAC. ± 1/64	CHECKED BY B. S. O.	11/4/71		
DEC. ± .005	APPD BY R. P. B.	11/4/71		
ANGLES ± 1°	USE ASSY PROCEDURE	TITLE "OSM" JACK TO "OSM" ADAPTER		
These drawings and specifications are the property of M/A COM Interconnect Div. and shall not be reproduced or copied or used in whole or in part as the basis for the manufacture or sale of item(s) without written permission.	NO. A.P. N/A	SIZE B	CODE IDENT NO. 26805	2080-5055-02
		SCALE 5:1		REV 03 <sub>3</sub>
				SHEET 1 OF 1

CUSTOMER DRAWING

AMP PART # 1053514-1  
SHEET 1 OF 1 REV A

## X-ON Electronics

Largest Supplier of Electrical and Electronic Components

*Click to view similar products for [RF Adapters - In Series](#) category:*

*Click to view products by [TE Connectivity](#) manufacturer:*

Other Similar products are found below :

[5916-1103-603](#) [5918-1103-000](#) [5919-1503-000](#) [651A505](#) [82-5552](#) [9030-9523-502](#) [PN2C](#) [A0407000](#) [R114703000W](#) [R125704000](#)  
[R125771001](#) [R141710000W](#) [R141723161](#) [R141730000](#) [R143730700](#) [R143770000](#) [R161703000W](#) [R161753000W](#) [R161791530W](#)  
[R201705000](#) [R222705200](#) [R222M40010W](#) [R316754000](#) [R405006000](#) [R443162000](#) [AD78TL](#) [HRM-513S](#) [1996352-2](#) [2157155-1](#) [252169-75](#)  
[AD158](#) [2101130-1](#) [252186](#) [R114704000W](#) [R114720000W](#) [R125705001](#) [R125705701](#) [R125771000](#) [R125771001W](#) [R125791501W](#)  
[R127704001](#) [R127.870.001](#) [R127872001](#) [R141717000](#) [R142710000](#) [R142723000](#) [R143703000](#) [R143704000](#) [R143705700](#) [R161715000W](#)