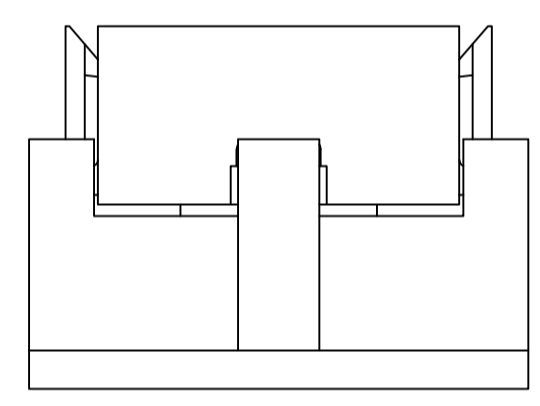
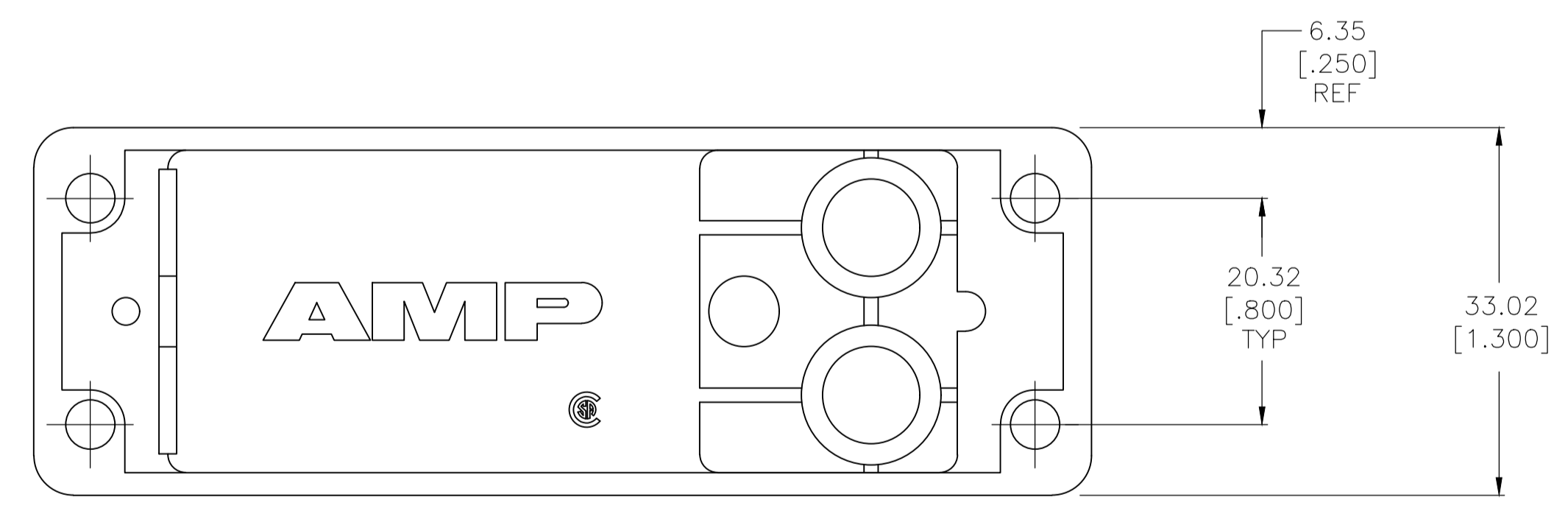
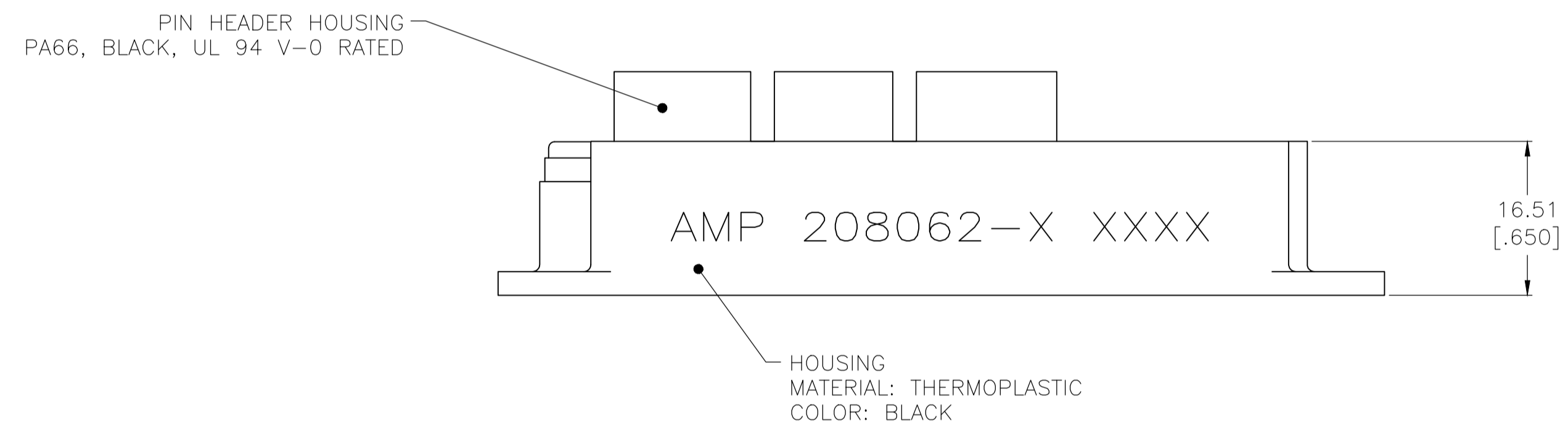
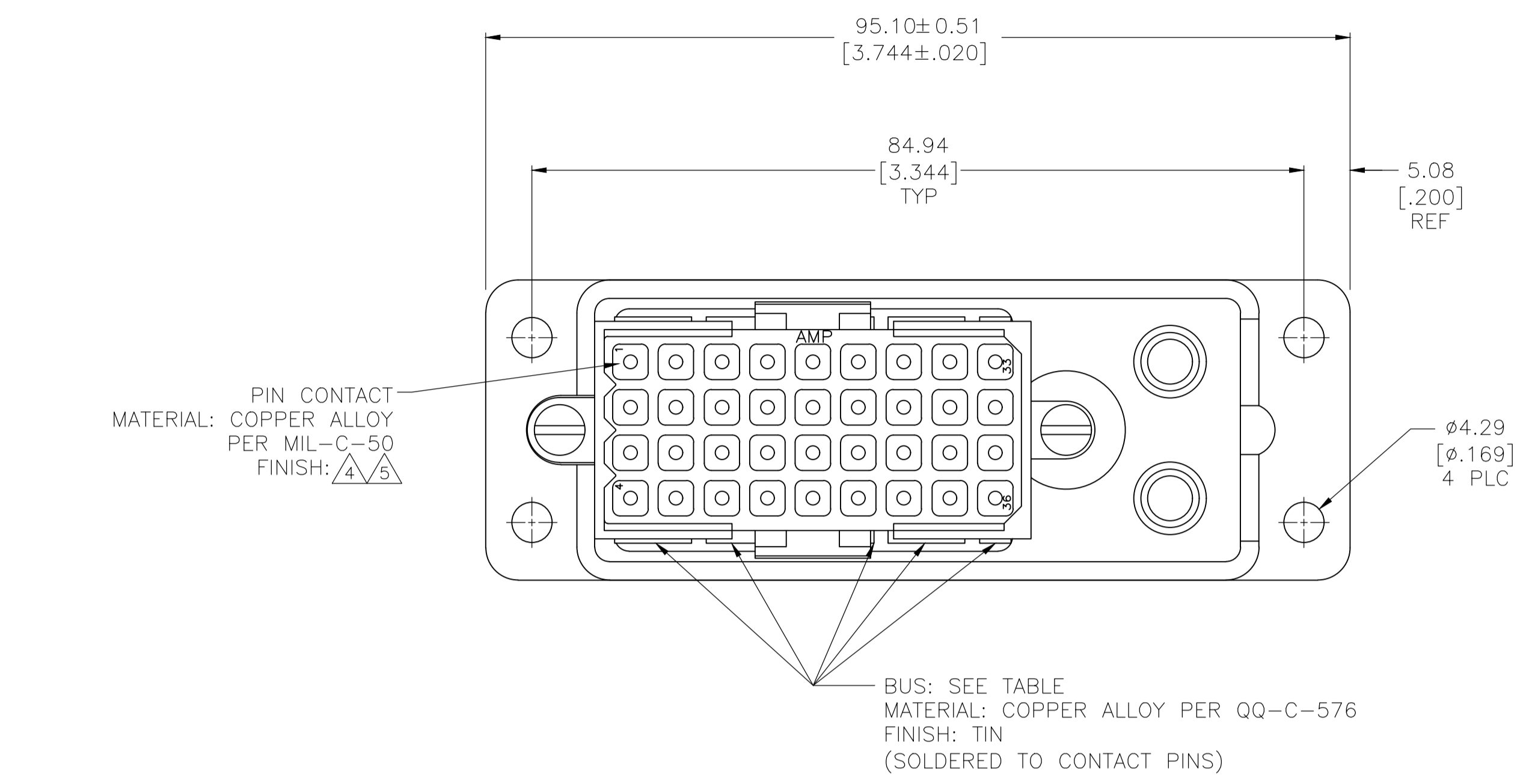


REVISIONS					
P	LTR	DESCRIPTION	DATE	DMN	APVD
J		REVISED PER ECO-17-011181	03AUG2017	RS	MZ
K		REVISED PER ECO-18-000439	19JAN2018	RS	MZ
L		REVISED PER ECO-20-002045	13FEB2020	RK	MZ

NOTES:

- 1 MATES WITH PLUG 207019-1.
- 2 CIRCUITS 1 THRU 8 COMMONED, 9 THRU 16 COMMONED, 17 THRU 24 COMMONED, 25 THRU 32 COMMONED AND 33 THRU 36 COMMONED TOGETHER.
- 3 ALL CURCUITS COMMONED TOGETHER.
- 4 TIN-LEAD OVER NICKEL PER QQ-N-290 OR COPPER PER MIL-C-14550.
- 5 0.76 μm (.000030) MIN GOLD PER MIL-G-45204 FOR A LENGTH OF 5.08 (.200) FROM MATING END, 3.81 μm (.000150) MIN TIN-LEAD PER MIL-T-10727 FOR A LENGTH OF 4.83 (.190) MIN. FROM OPPOSITE END, BOTH OVER 1.27 μm (.000050) MIN NICKEL PER QQ-N-290.
- 6 TIN OVER NICKEL PER QQ-N-290 OR COPPER PER MIL-C-14550.
- 7 0.76 μm (.000030) MIN GOLD PER MIL-G-45204 FOR A LENGTH OF 5.08 (.200) FROM MATING END, 3.81 μm (.000150) MIN TIN PER MIL-T-10727 FOR A LENGTH OF 4.83 (.190) MIN. FROM OPPOSITE END, BOTH OVER 1.27 μm (.000050) MIN NICKEL PER QQ-N-290.
- 8 OBSOLETE PARTS: OBSOLETE CIS STREAMLINING PER D.RENAUD/D.SINISI



OBSOLETE	Δ 8	(1) 36 POSITION	Δ 3	1-208062-1
	Δ 7	(1) 4 POSN AND (4) 8 POSN	Δ 2	1-208062-0
	Δ 6	(1) 36 POSITION	Δ 3	208062-9
OBSOLETE	Δ 6	(1) 4 POSN AND (4) 8 POSN	Δ 2	208062-8
	Δ 5	(1) 36 POSITION	Δ 3	208062-7
	Δ 5	(1) 4 POSN AND (4) 8 POSN	Δ 2	208062-6
OBSOLETE	Δ 4	(1) 36 POSITION	Δ 3	208062-3
	Δ 4	(1) 4 POSN AND (4) 8 POSN	Δ 2	208062-1
	FINISH	BUS TYPE	PART NO.	

THIS DRAWING IS A CONTROLLED DOCUMENT.

DIMENSIONS: mm [INCHES]

TOLERANCES UNLESS OTHERWISE SPECIFIED:

0 PLC	± .
1 PLC	± .
2 PLC	± 0.25[.010]
3 PLC	± .
4 PLC	± .
ANGLES	± .

MATERIAL: SEE CALLOUTS

FINISH: SEE CALLOUTS

WEIGHT: --

CUSTOMER DRAWING

DIN: D.GELTZ 08/13/92

CHK: R.STONE 9-21-92

APVD: --

NAME: --

PRODUCT SPEC: --

APPLICATION SPEC: --

SIZE: A1

CAGE CODE: 00779

DRAWING NO: 208062

RESTRICTED TO: --

SCALE: 2:1

SHEET: 1 OF 1

REV: L

TE Connectivity

COMMONING DEVICE ASSEMBLY, 36 POSITION, METRIMATE

X-ON Electronics

Largest Supplier of Electrical and Electronic Components

Click to view similar products for [Headers & Wire Housings](#) category:

Click to view products by [TE Connectivity](#) manufacturer:

Other Similar products are found below :

[892-18-020-10-001101](#) [58102-G61-06LF](#) [582553-1](#) [0009485154](#) [009176003701906](#) [0050291907](#) [LY20-4P-DT1-P1E-BR](#) [02.125.8002.8](#)
[609-3404](#) [61062-3](#) [61082-181009](#) [622-3653LF](#) [63453-116](#) [636-1030](#) [636-1427](#) [636-3427](#) [636-4007](#) [641938-9](#) [641991-4](#) [644827-2](#) [65817-](#)
[010LF](#) [65817-015LF](#) [65863-015LF](#) [66207-023LF](#) [67095-007LF](#) [67601157](#) [68645-018](#) [68648-049](#) [70.362.1628.0](#) [70-4210](#) [70-4226B](#) [70-](#)
[4853B](#) [707-5020](#) [707-5028](#) [71.350.2428.0](#) [71918-208LF](#) [71961-016LF](#) [733-134](#) [733-162](#) [754199-000](#) [760-3052](#) [787-8014-00](#) [79531-3000](#)
[FCN-360C032-B](#) [FCN-367T-T012/H](#) [FCN-723D010/2](#) [80.063.4001.1](#) [800-90-001-10-001000](#) [800-90-010-10-002000](#) [801-43-002-10-013000](#)