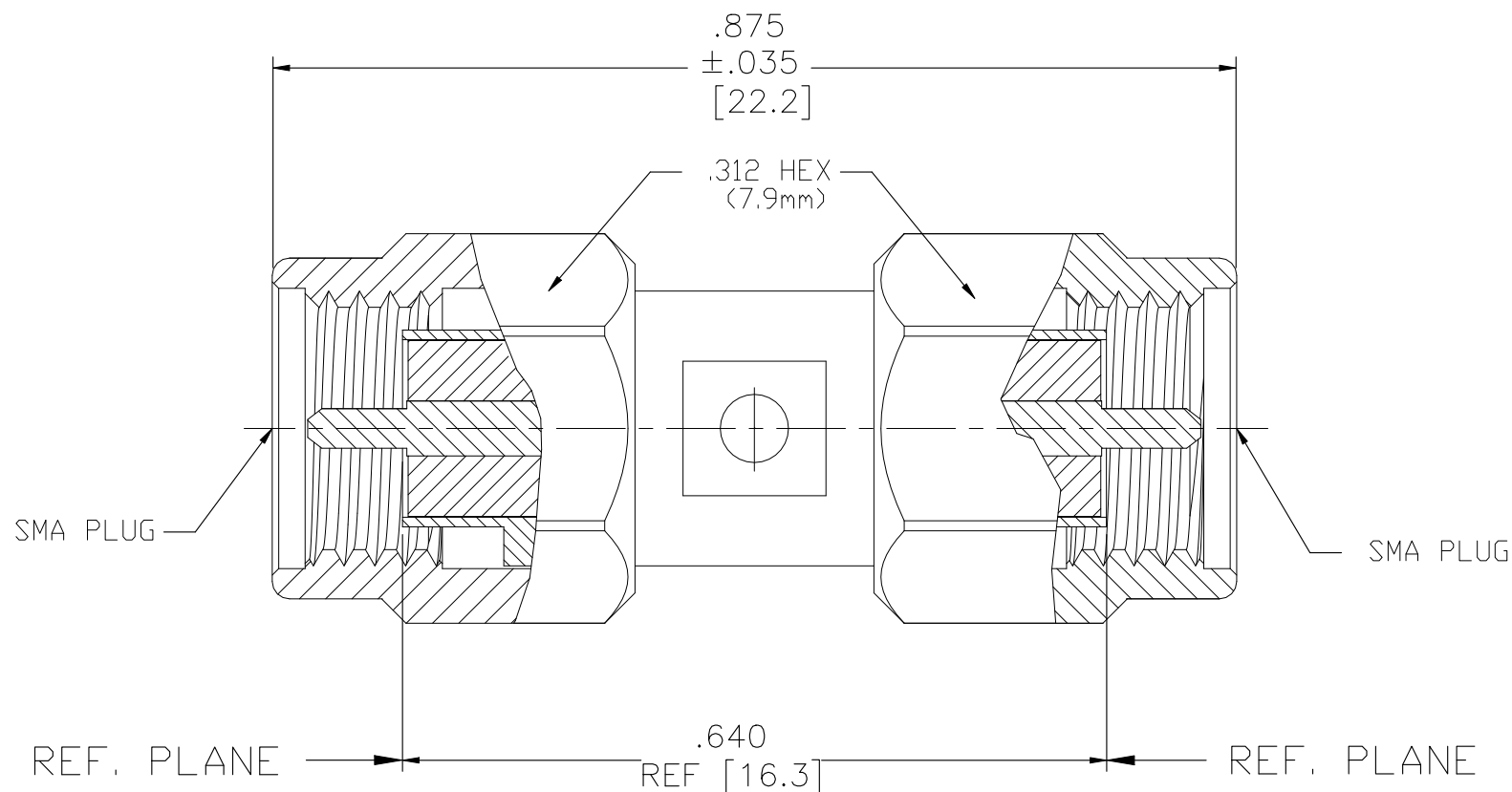


P	LTR	DESCRIPTION	DATE	DWN	APVD
	B1	REVISED PER ECR-21-103794	03JUN2021	RS	WK



ELECTRICAL	MECHANICAL	ENVIRONMENTAL
Nominal Impedance (Ohms) <u>50</u>	Interface Dimensions MIL-STD-348 FIG 310.1	TEMPERATURE RATING <u>-65°C TO 105°C</u>
Frequency Range (GHz) <u>DC to 18.0</u>	Recommended Mating Torque <u>7.0 to 10.0 In/Lbs</u>	Vibration - MIL-STD-202, Method 204, Condition D
Volt Rating (VRMS MAX) <u>335</u>	Connector Engagement <u>2.0 In/Lbs MAX</u>	Shock - MIL-STD-202, Method 213, Condition I
VSWR <u>1.05+006f(GHz) MAX</u>	Center Contact Captivation Axial <u>6.0 Lbs MIN</u>	Thermal shock MIL-STD-202, Method 107 Test Condition B
Insertion Loss (dB MAX) <u>.06 √f(GHz)</u>	Radial <u>4.0 In/oz MIN</u>	EXCEPT HIGH TEMP 115°C
RF Leakage <u>-[60-f(GHz)]</u>	Weight (Grams) <u>4.7</u>	Moisture Resistance - MIL-STD-202, Method 106, except Step 7b
Corona, 70,000 Ft (VRMS MIN) <u>250</u>		(Vibration) shall be omitted
Dielectric Withstanding Voltage (VRMS MIN) <u>1000</u>		Corrosion - MIL-STD-202, Method 101, Condition B, 5% salt spray
Contact Resistance (Milliohms MAX) Center Contact <u>4.0</u>		
Outer Contact <u>2.0</u>		
RF High Potential (VRMS MIN @ 5 MHz) <u>670</u>		
I.R.(Megohms) <u>5000</u>		

.XXX = in
XX.X = mm

THIS DRAWING IS A CONTROLLED DOCUMENT.

DIMENSIONS: INCHES	TOLERANCES UNLESS OTHERWISE SPECIFIED:
	0 PLC ± -
	1 PLC ± -
	2 PLC ± -
	3 PLC ± .005
	4 PLC ± -
	ANGLES ± 1°
MATERIAL	FINISH
-	-

QUANTITY PER ASSY	PARTS LIST
2	SILICONE RUBBER GASKET 6
2	BeCu RETAINING RING 5
2	PASSIVATE STAINLESS STEEL COUPLING NUT 4
1	PASSIVATE STAINLESS STEEL HOUSING 3
1	PTFE INSULATION 2
1	Au BeCu CENTER CONTACT 1
-1	PLATING MATERIAL DESCRIPTION ITEM

NAME	SIZE	CAGE CODE	DRAWING NO	RESTRICTED TO
STE TE Connectivity	A3	00779	C-1053635	-
SMA PLUG TO PLUG ADAPTER				
CUSTOMER DRAWING				SCALE 6:1 SHEET 1 OF 1 REV B1

X-ON Electronics

Largest Supplier of Electrical and Electronic Components

Click to view similar products for [RF Adapters - In Series](#) category:

Click to view products by [TE Connectivity](#) manufacturer:

Other Similar products are found below :

[5916-1103-603](#) [5918-1103-000](#) [5919-1503-000](#) [651A505](#) [9030-9523-502](#) [PN2C](#) [A0407000](#) [R114703000W](#) [R125704000](#) [R125771001](#)
[R141710000W](#) [R141723161](#) [R141730000](#) [R143730700](#) [R143770000](#) [R161703000W](#) [R161753000W](#) [R161791530W](#) [R201705000](#)
[R222705200](#) [R222M40010W](#) [R316754000](#) [R405006000](#) [R443162000](#) [AD78TL](#) [HRM-513S](#) [1996352-2](#) [2157155-1](#) [252169-75](#) [AD158](#)
[2101130-1](#) [252186](#) [R114704000W](#) [R114720000W](#) [R125705001](#) [R125705701](#) [R125771000](#) [R125771001W](#) [R127704001](#) [R127.870.001](#)
[R127872001](#) [R141717000](#) [R142710000](#) [R142723000](#) [R143703000](#) [R143704000](#) [R143705700](#) [R161715000W](#) [R161771000W](#) [R176754000](#)