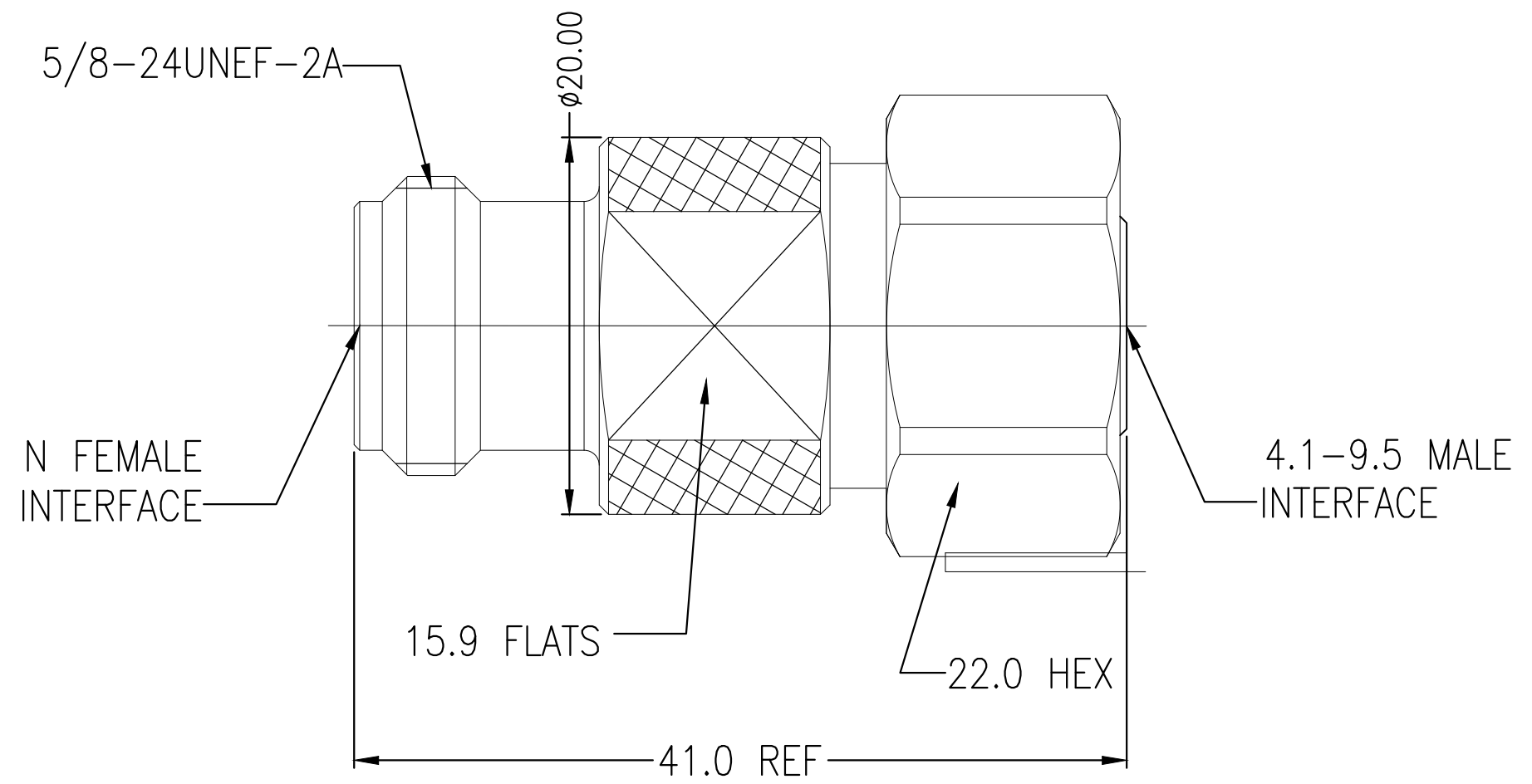


THIS DRAWING IS UNPUBLISHED. RELEASED FOR PUBLICATION AUGUST, 2006.
 © COPYRIGHT 2006 By - ALL RIGHTS RESERVED.

REVISIONS				
P	LTR	DESCRIPTION	DATE	APVD
	A1	ECR-18-012908	15AUG2018	RZ RS

- NOTES:
- 1 PACK IN ACCORDANCE WITH TE SPEC 107-3275
 - 2 Ag PLATING: 200u"
 - 3 CuSnZn PLATING: 80u"
 - 4 ALL DIMENSIONS ARE NOMINAL FOR REFERENCE ONLY UNLESS OTHERWISE STATED



ELECTRICAL	MECHANICAL	ENVIRONMENTAL
Frequency Range (GHz) DC to 8GHz	Recommended Mating force or Torque 10 N.m (4.1/9.5)	Temperature Rating -40°C TO +85°C
Voltage Rating (Peak) @ Sea Level 500 VAC RMS	Mating cycles 500 cycles	
Insulation Resistance (MIN.) 5000 M ohms		
Contact Resistance (Milliohms MAX) Center Contact 2.5 Outer Contact 0.25	VSWR: 1.15 Max @ DC--6 GHz 1.20 Max @ 6--8 GHz	
Dielectric Withstand Voltage: 1000 Volts RMS Max	RF-Leakage: N/A	
Insertion Loss : 0.05√F(GHz) dB	Intermodulation: -166dBc @ 2x43 dBm 900MHZ/1800MHZ	

THIS DRAWING IS A CONTROLLED DOCUMENT.		DWN RZ 05 JUN 2018
DIMENSIONS: mm		CHK BW 05 JUN 2018
TOLERANCES UNLESS OTHERWISE SPECIFIED:		APVD RS 05 JUN 2018
0 PLC ± -		PRODUCT SPEC
1 PLC ± 0.2		
2 PLC ± 0.1		APPLICATION SPEC
3 PLC ± -		
4 PLC ± -		WEIGHT 0.000000
ANGLES ± -		CUSTOMER DRAWING
FINISH -		
MATERIAL SEE TABLE		

QUANTITY PER ASSY	MATERIAL	DESCRIPTION	ITEM
2	PVC (BLACK)	DUST CAP	5
1	BRASS	NUT	4
1	PTFE	INSULATION	3
1	BeCu	CENTER CONTACT	2
1	BRASS	BODY	1
-1			

STE TE Connectivity

ADAPTER
N FEMALE TO 4.1/9.5 MALE

SIZE	CAGE CODE	DRAWING NO	RESTRICTED TO
A3	00779	C-2081553	-

SCALE 3:1 SHEET 1 OF 1 REV A1

X-ON Electronics

Largest Supplier of Electrical and Electronic Components

Click to view similar products for [RF Adapters - Between Series category:](#)

Click to view products by [TE Connectivity manufacturer:](#)

Other Similar products are found below :

[5945-9503-000](#) [MCX/F-SMA/M](#) [R192417010](#) [ADBJ20-E1-BJ379](#) [ADM2](#) [ADPL75-A1-PL75](#) [242191](#) [9317505](#) [29-3835P](#) [AD130](#) [ADBJ20-E1-PL74](#) [ADBJ20-E2-BJ79](#) [ADBJ77-A1-PL375](#) [ADBJ77-E1-UPL20](#) [ADRMF370](#) [242215](#) [242228](#) [R125680000W](#) [R192430000](#) [UAD95](#) [1057367-1](#) [8311505](#) [R114704000](#) [R451034500](#) [R451030500](#) [R451543000](#) [HDVDPN](#) [ADBJ20-K1-PL20](#) [R451570000](#) [R451034000](#) [J9](#) [J3WE-5](#) [R451032500](#) [242201RP](#) [17K132-K00S5](#) [AD-RSMAF-RTNC](#) [53K156-K00N5](#) [02K119-K00E3](#) [29S132-K01N5](#) [53S156-K00N5](#) [02S119-S00E3](#) [28K132-K00N5](#) [02S109-K00S3](#) [27-8200TP](#) [242235](#) [ADBJ20-E1-BJ89](#) [000-2900](#) [321-102-003 \(SMA-50/2-H155/W1.03 AU\)](#) [1057377-1](#) [321-350-001 \(SMA-50-R/2-RG316/N2.01\)](#)