

THIS DRAWING IS UNPUBLISHED.

RELEASED FOR PUBLICATION AUGUST, 2006.

REVISIONS

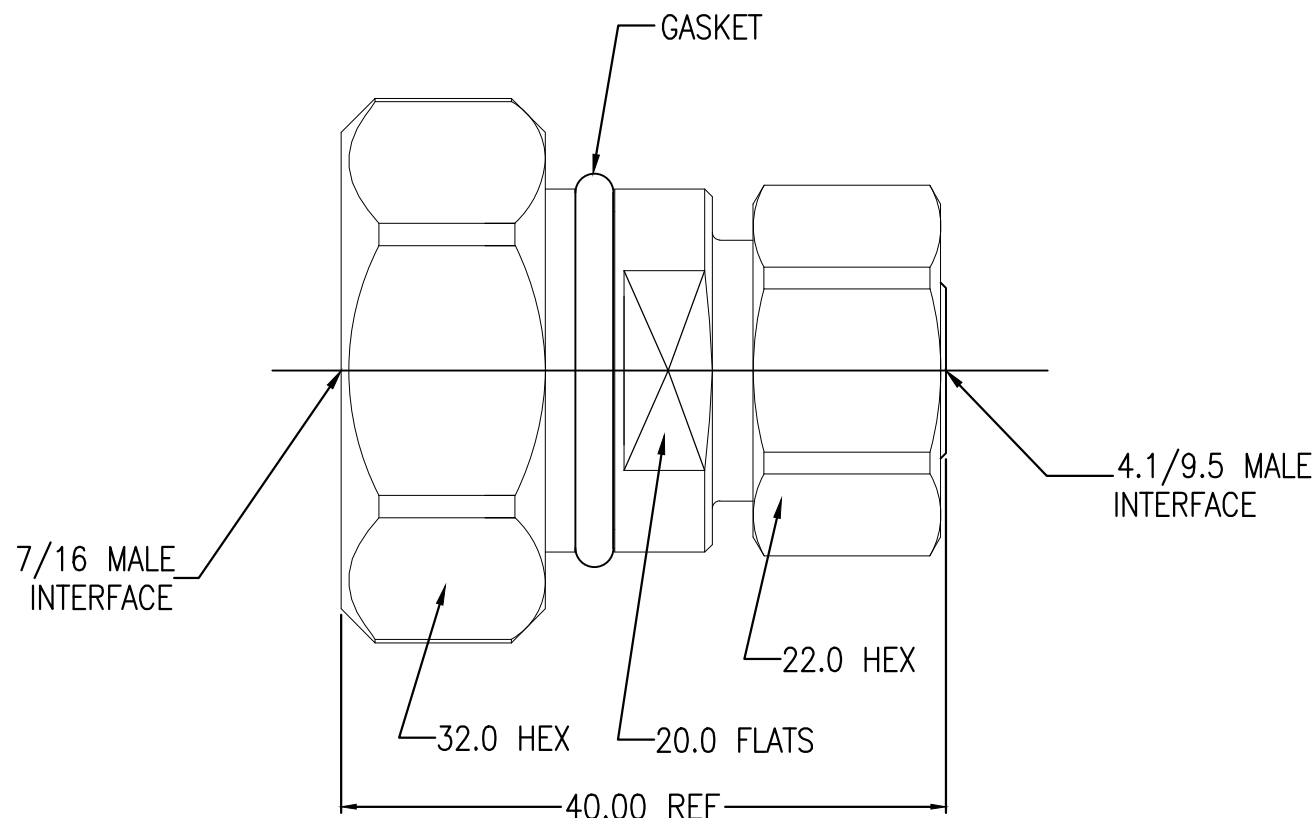
© COPYRIGHT 2006 By -

ALL RIGHTS RESERVED.

P	LTR	DESCRIPTION	DATE	DWN	APVD
	A1	ECR-18-012908	15AUG2018	RZ	RS

NOTES:

- 1 PACK IN ACCORDANCE WITH TE SPEC 107-3275
- 2 CuZnSn PLATING: 80u"
- 3 Ag PLATING: 200u"
- 4 ALL DIMENSIONS ARE NOMINAL FOR REFERENCE ONLY UNLESS OTHERWISE STATED



ELECTRICAL	MECHANICAL	ENVIRONMENTAL
Frequency Range (GHz) DC to 6GHz	Recommended Coupling Torque 44 in-lbs(4.1/9.5) 177-265 in-lbs(7/16)	Temperature Rating -55°C TO +125°C
Voltage Rating (Peak) @ Sea Level 1000 V RMS	Mating cycles 500 cycles	
Insulation Resistance (MIN.) 5000 M ohms	Center contact retention force 40 lbs MIN	
Contact Resistance (Milliohms MAX) Center Contact 1.0 Outer Contact 0.4	VSWR: 1.15 Max @ DC-- 6 GHz	
Dielectric Withstand Voltage: 2500 V RMS Max	Power handling: 450W@2GHz @90°C	
Insertion Loss : 0.1*√F(GHz) dB	3rd Intermodulation: <-166dBc@2X43dBm 900MHz/1800MHz	

QUANTITY PER ASSY	MATERIAL	DESCRIPTION	ITEM
2	PVC/PE (BLACK/BLUE)	DUST CAP	5
1	BRASS	SHELL	4
1	PTFE	INSULATION	3
1	BRASS	CENTER CONTACT	2
1	BRASS	BODY	1
-1			

THIS DRAWING IS A CONTROLLED DOCUMENT.

DIMENSIONS:	TOLERANCES UNLESS OTHERWISE SPECIFIED:
mm	0 PLC ± -
	1 PLC ± 0.2
	2 PLC ± 0.1
	3 PLC ± -
	4 PLC ± -
	ANGLES ± -
MATERIAL	FINISH
SEE TABLE	-

DWN	ED	13JUN 2018
CHK	BW	13JUN 2018
APVD	RS	13JUN 2018
PRODUCT SPEC	-	-
APPLICATION SPEC	-	-
WEIGHT	0.000000	-
CUSTOMER DRAWING		

<b>STE</b> TE Connectivity			
NAME ADAPTER 7/16 DIN Male to 4.1/9.5 DIN Male			
SIZE	CAGE CODE	DRAWING NO	RESTRICTED TO
A3	00779	C-2081555	-
SCALE		SHEET	REV
2:1		1 OF 1	A1

## X-ON Electronics

Largest Supplier of Electrical and Electronic Components

*Click to view similar products for [RF Adapters - Between Series](#) category:*

*Click to view products by [TE Connectivity](#) manufacturer:*

Other Similar products are found below :

[5945-9503-000](#) [MCX/F-SMA/M](#) [R192417010](#) [ADBJ20-E1-BJ379](#) [ADM2](#) [ADPL75-A1-PL75](#) [242191](#) [9317505](#) [29-3835P](#) [AD130](#) [ADBJ20-E1-PL74](#) [ADBJ20-E2-BJ79](#) [ADBJ77-E1-UPL20](#) [ADRMF370](#) [242215](#) [242228](#) [R125680000W](#) [R192430000](#) [UAD95](#) [1057367-1](#) [8311505](#) [R114704000](#) [R451034500](#) [R451030500](#) [R451543000](#) [HDVDPN](#) [ADBJ20-K1-PL20](#) [R451570000](#) [R192419000](#) [R451034000](#) [J9](#) [J3WE-5](#) [R451032500](#) [242201RP](#) [17K132-K00S5](#) [AD-RSMAF-RTNC](#) [53K156-K00N5](#) [02K119-K00E3](#) [29S132-K01N5](#) [53S156-K00N5](#) [02S119-S00E3](#) [28K132-K00N5](#) [02S109-K00S3](#) [27-8200TP](#) [242235](#) [ADBJ20-E1-BJ89](#) [000-2900](#) [321-102-003 \(SMA-50/2-H155/W1.03 AU\)](#) [1057377-1](#) [321-350-001 \(SMA-50-R/2-RG316/N2.01\)](#)