

THIS DRAWING IS UNPUBLISHED.

RELEASED FOR PUBLICATION AUGUST , 2006.

REVISIONS

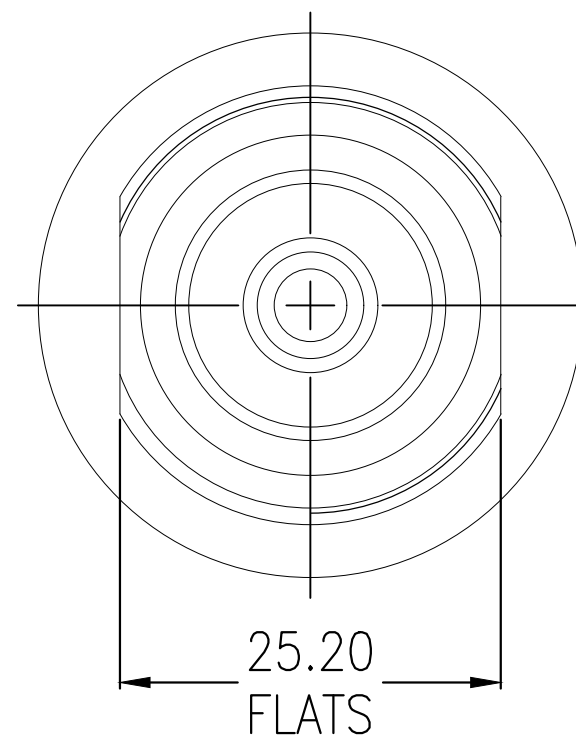
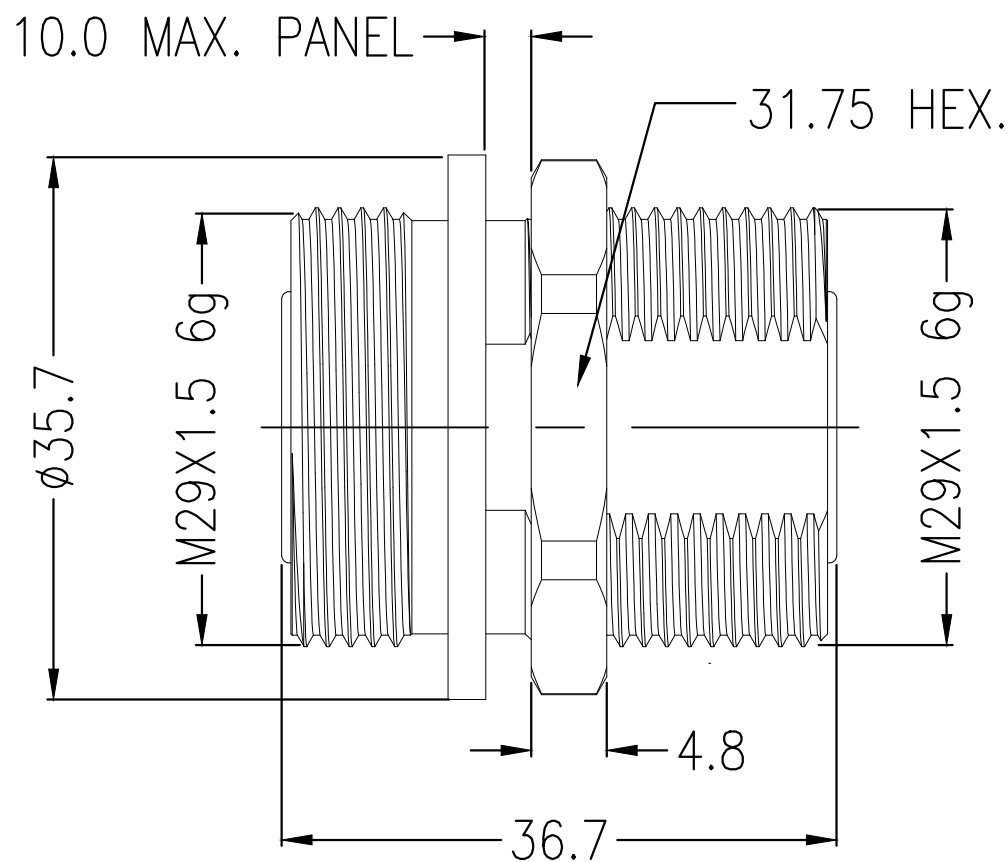
© COPYRIGHT 2006 By -

ALL RIGHTS RESERVED.

P	LTR	DESCRIPTION	DATE	DWN	APVD
	A1	ECR-18-012908	15AUG2018	RZ	RS

NOTES:

- ① PACK IN ACCORDANCE WITH TE SPEC 107-3275
- ② CuZnSn PLATING: 80u"
- ③ Ag PLATING: 200u"
- 4 ALL DIMENSIONS ARE NOMINAL FOR REFERENCE ONLY UNLESS OTHERWISE STATED



ELECTRICAL	MECHANICAL	ENVIRONMENTAL
Frequency Range (GHz) DC to 6GHz	Recommended Coupling Torque N/A	Temperature Rating -55°C TO +125°C
Voltage Rating (Peak) @ Sea Level 1000 V RMS	Mating cycles 500 cycles	
Insulation Resistance (MIN.) 5000 M ohms	Center contact retention force 45 lbs MIN	
Contact Resistance (Milliohms MAX) Center Contact 1.5 Outer Contact 0.4	VSWR: 1.10 Max @ DC-- 6 GHz	
Dielectric Withstand Voltage: 3000 V RMS Max	Power handling: N/A	
Insertion Loss : 0.1*√F(GHz) dB	3rd Intermodulation: <-160dBc@2X43dBm 900MHz/1800MHz	

THIS DRAWING IS A CONTROLLED DOCUMENT.		DWN ED 13JUN 2018
DIMENSIONS: mm		CHK BW 13JUN 2018
TOLERANCES UNLESS OTHERWISE SPECIFIED:		APVD RS 13JUN 2018
0 PLC ± -		PRODUCT SPEC -
1 PLC ± 0.2		APPLICATION SPEC -
2 PLC ± 0.1		WEIGHT 0.000000
3 PLC ± -		CUSTOMER DRAWING
4 PLC ± -		
ANGLES ± -		
FINISH -		
MATERIAL SEE TABLE		

QUANTITY PER ASSY	MATERIAL	DESCRIPTION	ITEM
2	PVC (BLACK)	DUST CAP	5
1	BRASS	SHELL	4
1	PTFE	INSULATION	3
1	PHOSPHOR BRONZE	CENTER CONTACT	2
1	BRASS	BODY	1
-1			

STE TE Connectivity			
NAME ADAPTER 7/16 Female to 7/16 Female, low PIM			
SIZE	CAGE CODE	DRAWING NO	RESTRICTED TO
A3	00779	C-2081559	-
SCALE 2:1		SHEET 1 OF 1	REV A1

X-ON Electronics

Largest Supplier of Electrical and Electronic Components

Click to view similar products for [RF Adapters - In Series](#) category:

Click to view products by [TE Connectivity](#) manufacturer:

Other Similar products are found below :

[5916-1103-603](#) [5918-1103-000](#) [5919-1503-000](#) [651A505](#) [82-5552](#) [9030-9523-502](#) [PN2C](#) [A0407000](#) [R114703000W](#) [R125704000](#)
[R125771001](#) [R141710000W](#) [R141723161](#) [R141730000](#) [R143730700](#) [R143770000](#) [R161703000W](#) [R161753000W](#) [R161791530W](#)
[R201705000](#) [R222705200](#) [R222M40010W](#) [R316754000](#) [R405006000](#) [R443162000](#) [AD78TL](#) [HRM-513S](#) [1996352-2](#) [2157155-1](#) [252169-75](#)
[AD158](#) [2101130-1](#) [252186](#) [R114704000W](#) [R114720000W](#) [R125705001](#) [R125705701](#) [R125771000](#) [R125771001W](#) [R125791501W](#)
[R127704001](#) [R127.870.001](#) [R127872001](#) [R141717000](#) [R142710000](#) [R142723000](#) [R143703000](#) [R143704000](#) [R143705700](#) [R161715000W](#)