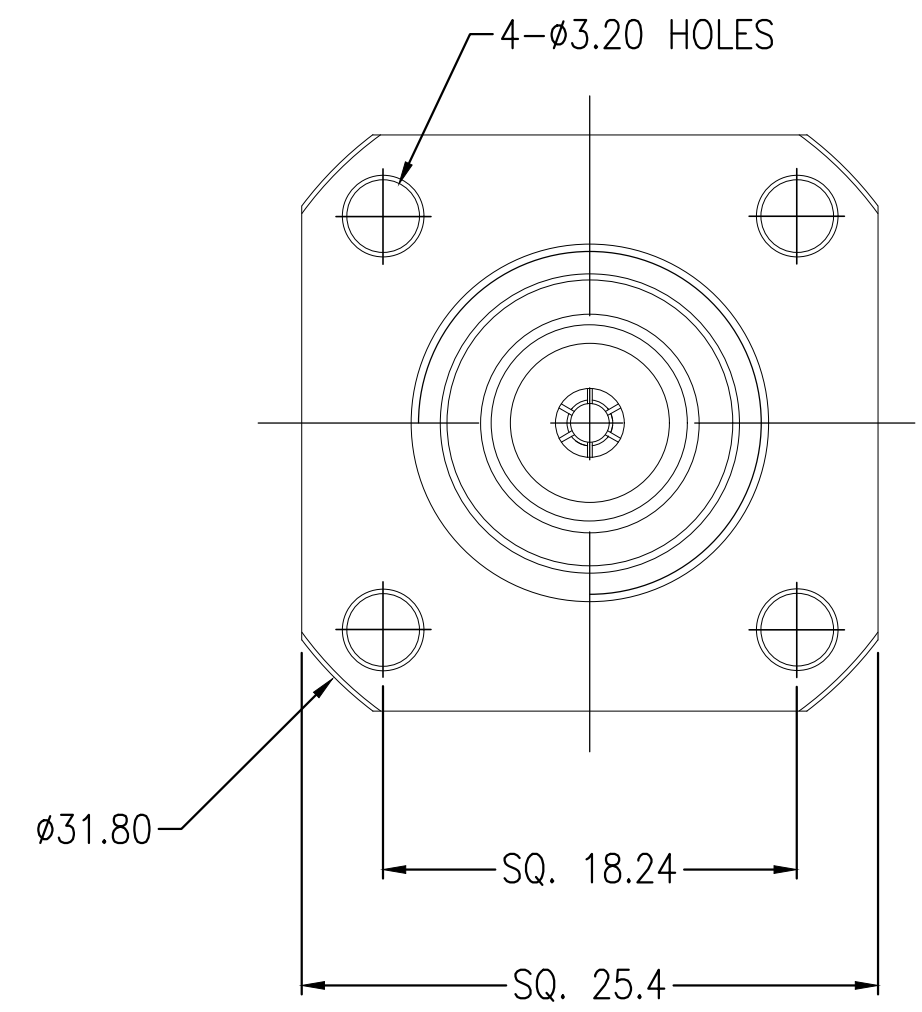
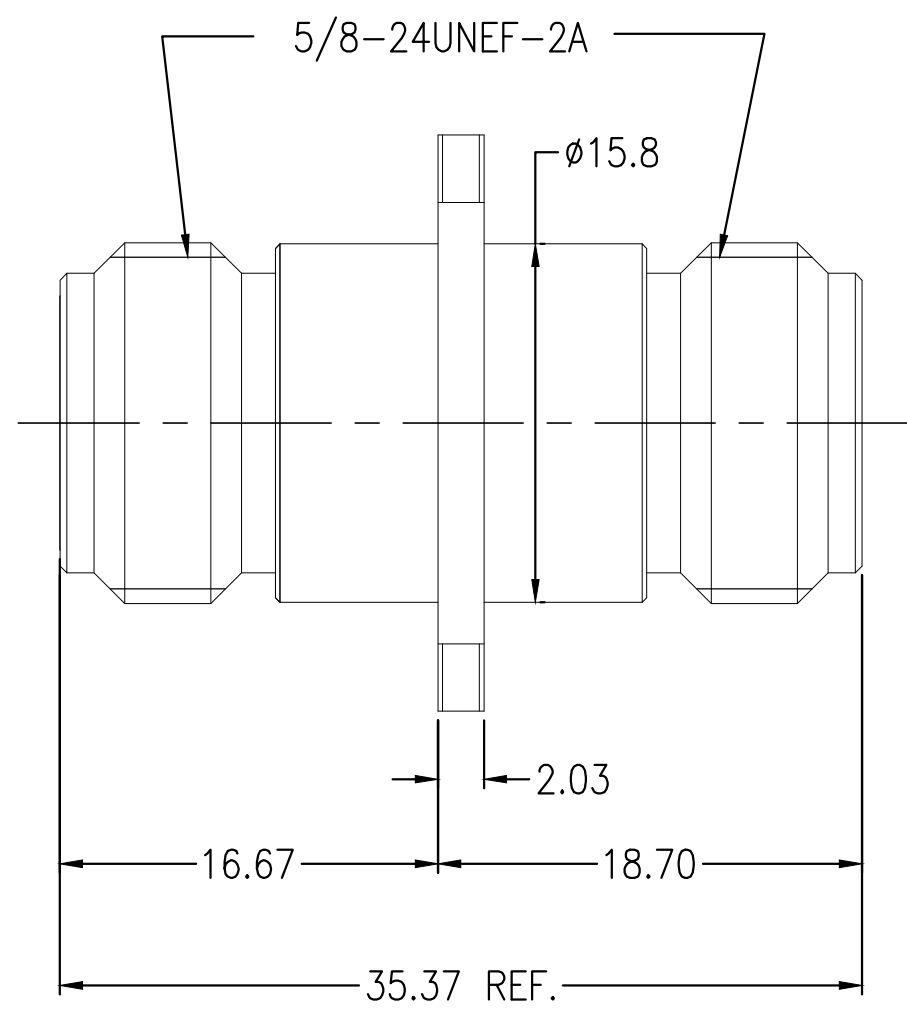


THIS DRAWING IS UNPUBLISHED. RELEASED FOR PUBLICATION AUGUST ,2006.
 © COPYRIGHT 2006 By - ALL RIGHTS RESERVED.

| REVISIONS | | | | |
|-----------|-----|---------------|-----------|-------|
| P | LTR | DESCRIPTION | DATE | APVD |
| | A1 | ECR-18-012908 | 15AUG2018 | RZ RS |

- NOTES:
- 1 PACK IN ACCORDANCE WITH TE SPEC 107-3275
 - 2 Au PLATING: 50u"
 - 3 Passivation
 - 4 ALL DIMENSIONS ARE NOMINAL FOR REFERENCE ONLY UNLESS OTHERWISE STATED



| ELECTRICAL | MECHANICAL | ENVIRONMENTAL |
|---|---|--------------------------------------|
| Frequency Range (GHz) DC to 18GHz | Recommended Coupling Torque N/A | Temperature Rating -40°C TO +85°C |
| Voltage Rating (Peak) @ Sea Level 500 V RMS | Mating cycles 500 cycles | |
| Insulation Resistance (MIN.) 5000 M ohms | Center contact retention force 6 lbs MIN | |
| Contact Resistance (Milliohms MAX) Center Contact 1.0 Outer Contact 0.4 | VSWR: 1.2 Max @ DC-- 18 GHz | |
| Dielectric Withstand Voltage: 1000 V RMS Max | RF leakage: N/A | |
| Insertion Loss : 0.1*√F(GHz) dB | 3rd Intermodulation: N/A | |

THIS DRAWING IS A CONTROLLED DOCUMENT.

| | |
|-----------------------|---|
| DIMENSIONS: mm | TOLERANCES UNLESS OTHERWISE SPECIFIED: |
| | 0 PLC ± - 1 PLC ± 0.2 2 PLC ± 0.1 3 PLC ± - 4 PLC ± - ANGLES ± - |
| MATERIAL SEE TABLE | FINISH - |

| | | |
|------------------|----------|------------|
| DWN | ED | 13JUN 2018 |
| CHK | BW | 13JUN 2018 |
| APVD | RS | 13JUN 2018 |
| PRODUCT SPEC | - | |
| APPLICATION SPEC | - | |
| WEIGHT | 0.000000 | |
| CUSTOMER DRAWING | | |

| QUANTITY PER ASSY | MATERIAL | DESCRIPTION | ITEM |
|-------------------|-------------|----------------|------|
| 2 | PVC (BLACK) | DUST CAP | 4 |
| 1 | PEI | INSULATION | 3 |
| 1 | BECU | CENTER CONTACT | 2 |
| 1 | STEEL | BODY | 1 |
| -1 | | | |

STE TE Connectivity

NAME: ADAPTER
N Female to N Female
4 Hole Flange-Mounting Hole A05

| | | | |
|------|-----------|------------|---------------|
| SIZE | CAGE CODE | DRAWING NO | RESTRICTED TO |
| A3 | 00779 | C-2081563 | - |

SCALE: 3:1 SHEET: 1 OF 1 REV: A1

X-ON Electronics

Largest Supplier of Electrical and Electronic Components

Click to view similar products for [RF Adapters - In Series](#) category:

Click to view products by [TE Connectivity](#) manufacturer:

Other Similar products are found below :

[5916-1103-603](#) [5918-1103-000](#) [5919-1503-000](#) [651A505](#) [82-5552](#) [9030-9523-502](#) [PN2C](#) [A0407000](#) [R114703000W](#) [R125704000](#)
[R125771001](#) [R141710000W](#) [R141723161](#) [R141730000](#) [R143730700](#) [R143770000](#) [R161703000W](#) [R161753000W](#) [R161791530W](#)
[R201705000](#) [R222705200](#) [R222M40010W](#) [R316754000](#) [R405006000](#) [R443162000](#) [AD78TL](#) [HRM-513S](#) [1996352-2](#) [2157155-1](#) [252169-75](#)
[AD158](#) [2101130-1](#) [252186](#) [R114704000W](#) [R114720000W](#) [R125705001](#) [R125705701](#) [R125771000](#) [R125771001W](#) [R125791501W](#)
[R127704001](#) [R127.870.001](#) [R127872001](#) [R141717000](#) [R142710000](#) [R142723000](#) [R143703000](#) [R143704000](#) [R143705700](#) [R161715000W](#)