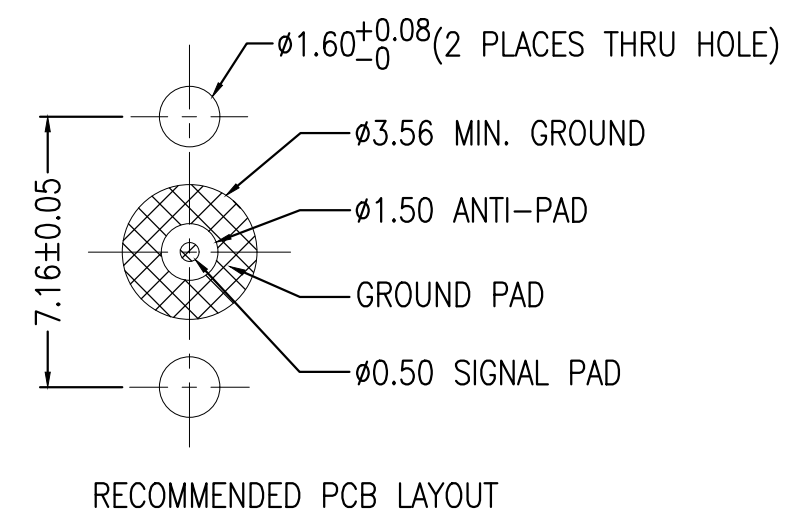
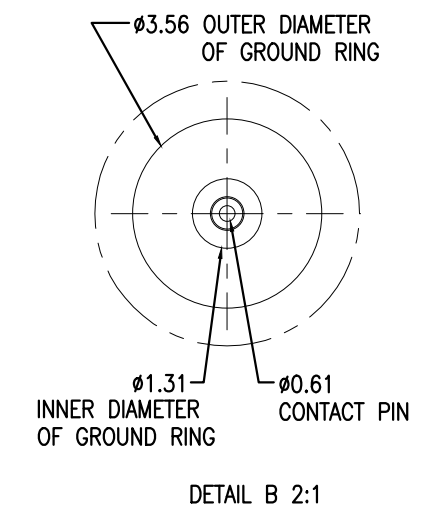
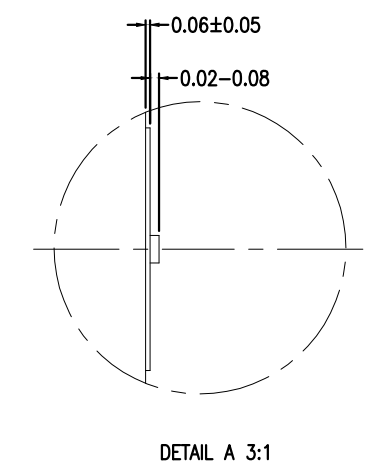
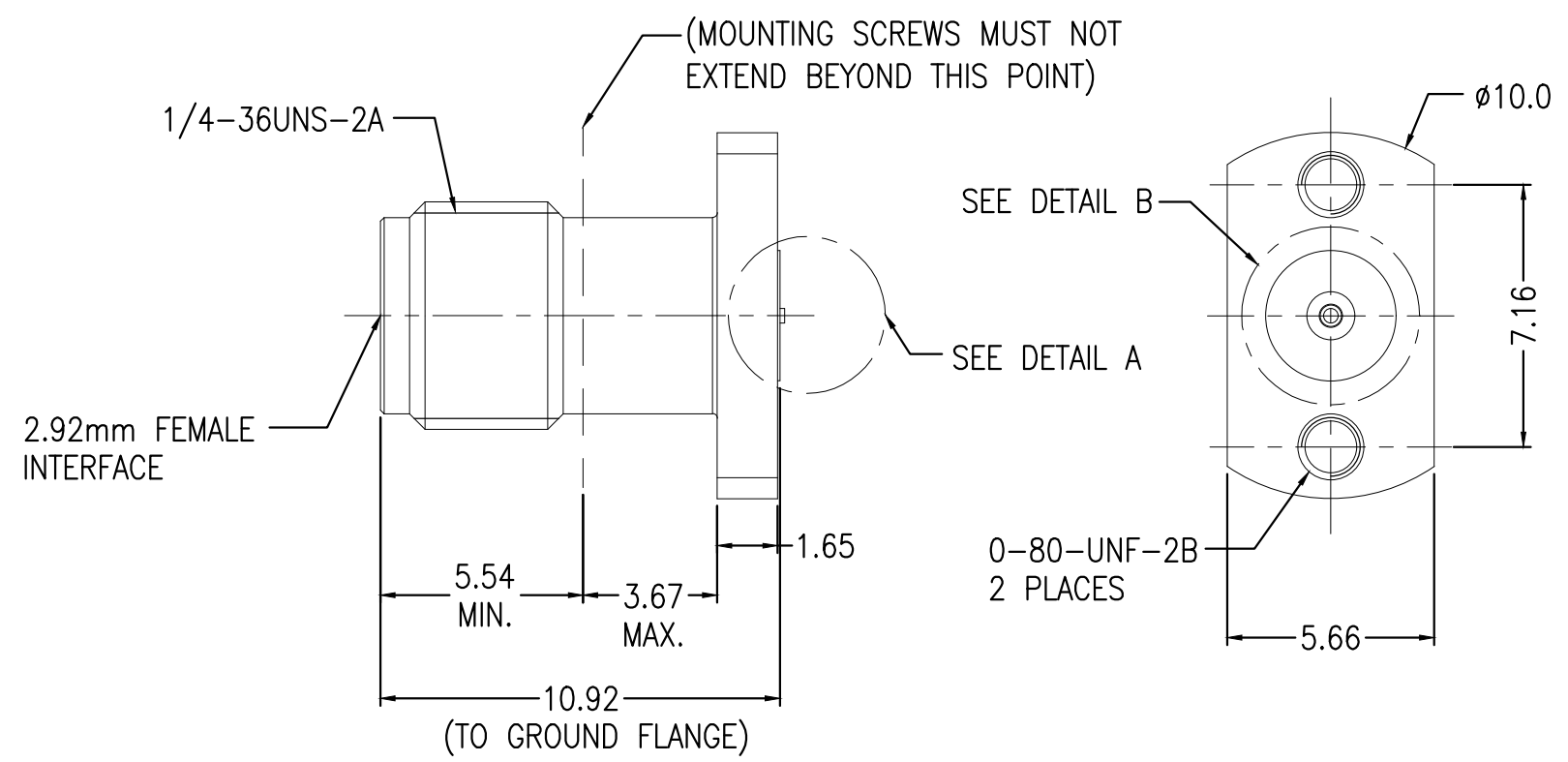


THIS DRAWING IS UNPUBLISHED. RELEASED FOR PUBLICATION
 © COPYRIGHT - TE Connectivity Ltd. ALL RIGHTS RESERVED.

P	LTR	DESCRIPTION	DATE	DWN	APVD
	A1	REVISE PER ECR-19-014902	24SEP2019	RZ	RS



- NOTES:
- 1 PACK IN ACCORDANCE WITH TE SPEC 107-3275
 - 2 ALL DIMENSIONS ARE NOMINAL FOR REFERENCE ONLY UNLESS OTHERWISE STATED

ELECTRICAL	MECHANICAL	ENVIRONMENTAL
Impedance (Ohm) <u>50</u>	Interface Dimension MIL-STD-348B Fig. <u>323-2</u>	TEMPERATURE RANGE <u>-55°C TO + 125°C</u>
Frequency Range (GHz) <u>DC to 40GHz</u>	Recommended Coupling Torque <u>7 to 10 In-Lbs</u>	THERMAL SHOCK <u>MIL-STD-202, METH.107, COND.B</u>
Voltage Rating (Peak) <u>@ Sea Level 335 V RMS</u>	Force to Engage and Disengage (In/Lbs) <u>2.0 MAX</u>	CORROSION <u>MIL-STD-202, METH.101, COND.B</u>
Insulation Resistance (MIN.) <u>5000 M. ohms</u>	Center Contact Captivation Axial (Lbs) <u>6.0</u> Radial (In/Oz) <u>N/A</u>	VIBRATION <u>MIL-STD-202, METH.204, COND.D</u>
Contact Resistance (Milliohms MAX) Center Contact <u>3.0</u> Outer Contact <u>2.0</u>	Cable Retention Axial (Lbs) <u>N/A</u>	SHOCK <u>MIL-STD-202, METH.213, COND.I</u>
Dielectric Withstand Voltage: <u>500 V RMS Max</u>	Mating cycles <u>500 cycles</u>	MOISTURE RESISTANCE <u>MIL-STD-202, METH.106</u>
Insertion Loss : <u>0.1*SQRT(F) dB</u>		ROHS <u>COMPLIANT</u>
VSWR: <u>1.3 MAX (GHz)</u>		
RF leakage: <u>N/A</u>		
3rd Intermodulation: <u>N/A</u>		

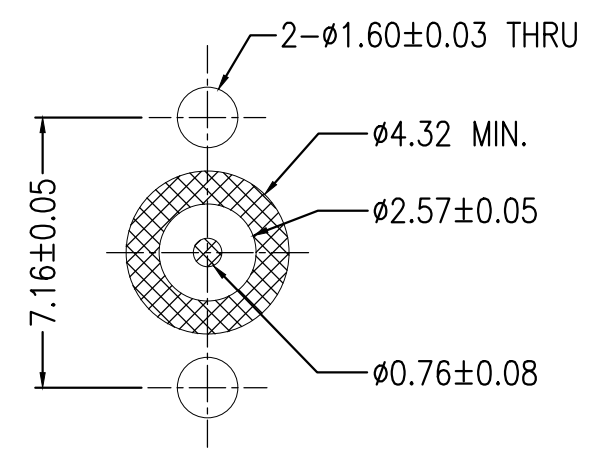
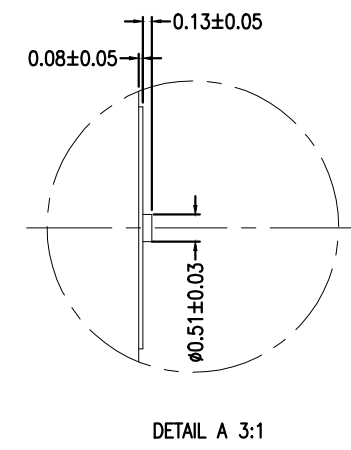
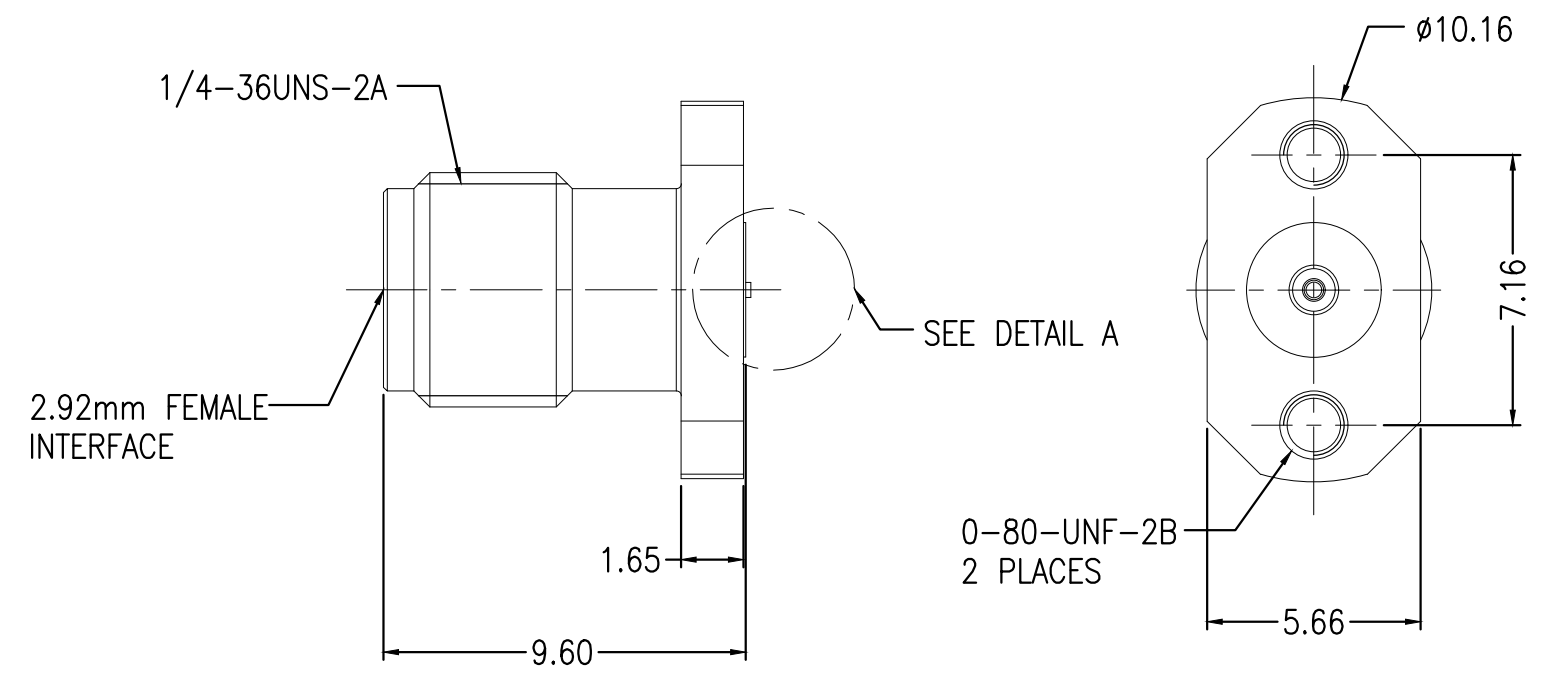
QUANTITY PER ASSY	PARTS LIST
1	PVC (BLACK) DUST CAP 4
1	PASSIVATE STAINLESS STEEL OUTER CONTACT 3
1	PEI INSULATION 2
1	Au BeCu CENTER CONTACT 1
-1	PLATING MATERIAL DESCRIPTION ITEM

THIS DRAWING IS A CONTROLLED DOCUMENT.

DWN RZ	06MAY2019	STE TE Connectivity
CHK ED	06MAY2019	
APVD RS	06MAY2019	
PRODUCT SPEC		
APPLICATION SPEC		NAME 2.92mm JACK PCB RECEPTACLE
WEIGHT -		SIZE A3 CAGE CODE 00779 DRAWING NO C-2081570 RESTRICTED TO -
CUSTOMER DRAWING	SCALE 1:1	SHEET 1 OF 2 REV A1

THIS DRAWING IS UNPUBLISHED. RELEASED FOR PUBLICATION
 © COPYRIGHT - TE Connectivity Ltd. ALL RIGHTS RESERVED.

P	LTR	DESCRIPTION	DATE	DWN	APVD
-	-	SEE SHEET 1	-	-	-



ELECTRICAL	MECHANICAL	ENVIRONMENTAL
Impedance (Ohm) <u>50</u>	Interface Dimension MIL-STD-348B Fig. <u>323-2</u>	TEMPERATURE RANGE <u>-55°C TO + 125°C</u>
Frequency Range (GHz) <u>DC to 40GHz</u>	Recommended Coupling Torque <u>7 to 10 In-Lbs</u>	THERMAL SHOCK <u>MIL-STD-202, METH.107, COND.B</u>
Voltage Rating (Peak) <u>335 V RMS @ Sea Level</u>	Force to Engage and Disengage (In/Lbs) <u>2.0 MAX</u>	CORROSION <u>MIL-STD-202, METH.101, COND.B</u>
Insulation Resistance (MIN.) <u>5000 M ohms</u>	Center Contact Captivation Axial (Lbs) <u>6.0</u> Radial (In/Oz) <u>N/A</u>	VIBRATION <u>MIL-STD-202, METH.204, COND.D</u>
Contact Resistance (Milliohms MAX) Center Contact <u>3.0</u> Outer Contact <u>2.0</u>	Cable Retention Axial (Lbs) <u>N/A</u>	SHOCK <u>MIL-STD-202, METH.213, COND.I</u>
Dielectric Withstand Voltage: <u>500 V RMS Max</u>	Mating cycles <u>500 cycles</u>	MOISTURE RESISTANCE <u>MIL-STD-202, METH.106</u>
Insertion Loss : <u>0.1*SQRT(F) dB</u>		ROHS <u>COMPLIANT</u>
VSWR: <u>1.3 MAX (GHz)</u>		
RF leakage: <u>N/A</u>		
3rd Intermodulation: <u>N/A</u>		

QUANTITY PER ASSY	DESCRIPTION	ITEM
1	PVC (BLACK) DUST CAP	4
1	PASSIVATE STAINLESS STEEL OUTER CONTACT	3
1	PEI INSULATION	2
1	Au BeCu CENTER CONTACT	1
-2	PLATING MATERIAL	

THIS DRAWING IS A CONTROLLED DOCUMENT.

DWN RZ	06MAY2019	STE TE Connectivity
CHK ED	06MAY2019	
APVD RS	06MAY2019	
PRODUCT SPEC		
APPLICATION SPEC		NAME 2.92mm JACK PCB RECEPTACLE
WEIGHT -		SIZE A3 CAGE CODE 00779 DRAWING NO C-2081570 RESTRICTED TO -
CUSTOMER DRAWING	SCALE 1:1	SHEET 2 OF 2 REV A1

X-ON Electronics

Largest Supplier of Electrical and Electronic Components

Click to view similar products for [RF Connectors](#) / [Coaxial Connectors](#) category:

Click to view products by [TE Connectivity](#) manufacturer:

Other Similar products are found below :

[8915-1511-000](#) [89674-0827](#) [6001-7071-019](#) [6002-7051-003](#) [6002-7551-202](#) [6059674-1](#) [619550-1](#) [630059-000](#) [M39030/3-01N](#) [6500-7071-046](#) [6769](#) [CX050L2AQ](#) [7002-1541-010](#) [7002-1542-011](#) [7004-1512-000](#) [7009-1511-004](#) [7010-1511-000](#) [7029-1511-060](#) [7101-1541-010](#) [7101-1571-002](#) [7145-1521-002](#) [7203-1571-003](#) [7209-1511-011](#) [7210-1511-015](#) [7210-1511-019](#) [73137-5015](#) [73216-2241](#) [73404-2300](#) [7405-1521-005](#) [7405-1521-802](#) [8527](#) [8547](#) [FS11V](#) [877931](#) [8808-1511-001](#) [9049-9513-000](#) [9074-9513-000](#) [9101-9573-002](#) [910A205F](#) [9130-9573-002](#) [PL11SC-026](#) [PL375-33](#) [PL40-5](#) [PL74C-221](#) [PL75MC-217](#) [PL803-7](#) [1200690078](#) [1-201144-1](#) [R107003010W](#) [R110A172100](#)