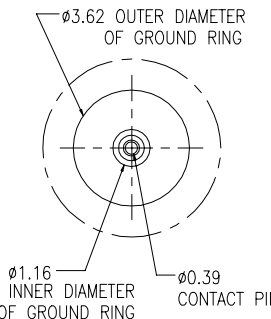
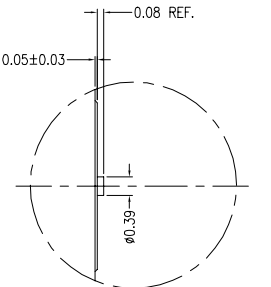
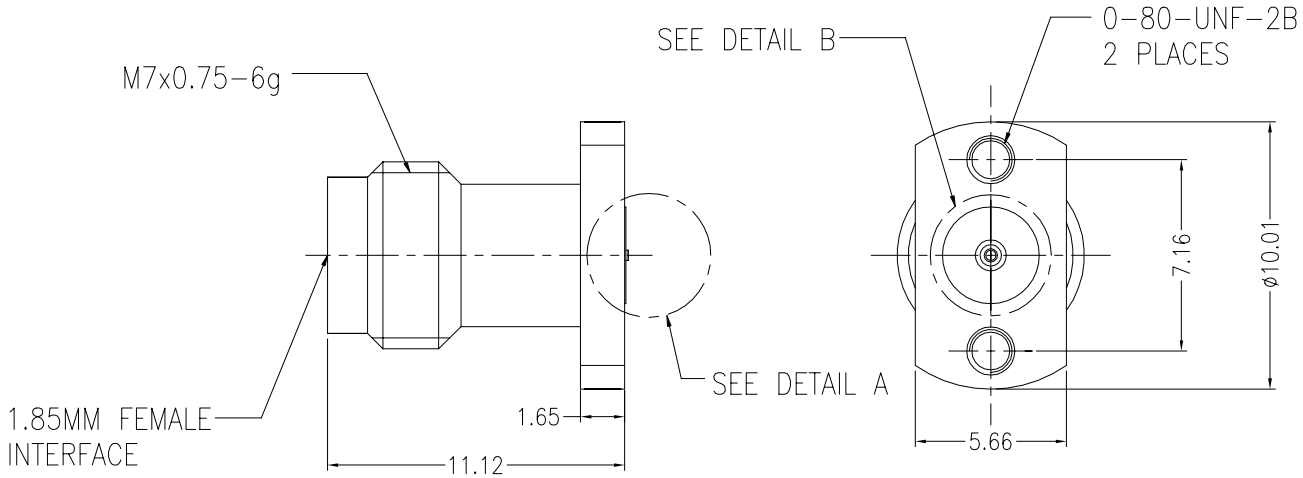
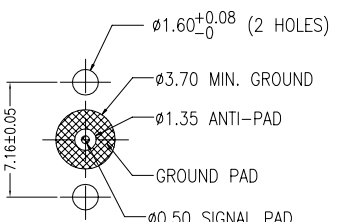


REVISIONS				
P	LTR	DESCRIPTION	DATE	APVD
A2		REVISED PER ECO-20-008033	16JUN2020	RZ RS



RECOMMENDED PCB LAYOUT



- NOTES:**
- 1 PACK IN ACCORDANCE WITH TE SPEC 107-3275
  - 2 ALL DIMENSIONS ARE NOMINAL FOR REFERENCE ONLY UNLESS OTHERWISE STATED

ELECTRICAL	MECHANICAL	ENVIRONMENTAL
Impedance (Ohm) _____50	Interface Dimension IEC Fig. _____61169-32	TEMPERATURE RANGE _____ -55°C TO + 125°C
Frequency Range (GHz) _____DC to 67GHz	Recommended Coupling Torque _____7 to 10 In-Lbs	THERMAL SHOCK _____MIL-STD-202, METH.107, COND.B
Voltage Rating (Peak) @ Sea Level 170 V RMS	Force to Engage and Disengage (In/lbs) _____2.0 MAX	CORROSION _____MIL-STD-202, METH.101, COND.B
Insulation Resistance (MIN.) _____5000 M ohms	Center Contact Captivation Axial (Lbs) _____6.0 Radial (In/Oz) _____N/A	VIBRATION _____MIL-STD-202, METH.204, COND.D
Contact Resistance (Milliohms MAX) Center Contact _____3.0 Outer Contact _____2.0	Cable Retention Axial (Lbs) _____N/A	SHOCK _____MIL-STD-202, METH.213, COND.I
Dielectric Withstand Voltage: _____500 V RMS Max	Mating cycles _____500 cycles	MOISTURE RESISTANCE _____MIL-STD-202, METH.106
Insertion Loss : _____0.05*SQRT(F) dB		ROHS _____COMPLIANT
VSWR: _____1.35 MAX (GHz)		
RF leakage: _____N/A		
3rd Intermodulation: _____N/A		

QUANTITY PER ASSY	PARTS LIST			
1	-	PVC (BLACK)	DUST CAP	4
1	PASSIVATE	STAINLESS STEEL	OUTER CONTACT	3
1	-	PEI	INSULATION	2
1	Au	BeCu	CENTER CONTACT	1
-1	PLATING	MATERIAL	DESCRIPTION	ITEM

THIS DRAWING IS A CONTROLLED DOCUMENT.

DWN	RZ	06MAY2019	 TE Connectivity	NAME 1.85mm JACK 2-HOLE FLANGE RECEPTACLE
CHK	ED	06MAY2019		
APVD	RS	06MAY2019		
PRODUCT SPEC				
APPLICATION SPEC				
WEIGHT	-	A3	CAGE CODE	00779
CUSTOMER DRAWING		DRAWING NO	C=2081937	
SCALE	1:1	SHEET	1 of 1	REV
				A2

## X-ON Electronics

Largest Supplier of Electrical and Electronic Components

*Click to view similar products for [RF Connectors / Coaxial Connectors](#) category:*

*Click to view products by [TE Connectivity](#) manufacturer:*

Other Similar products are found below :

[8915-1511-000](#) [89674-0827](#) [6001-7071-019](#) [6002-7051-003](#) [6002-7551-202](#) [6059674-1](#) [619550-1](#) [630059-000](#) [M39030/3-01N](#) [6500-7071-046](#) [6769](#) [CX050L2AQ](#) [7002-1541-010](#) [7002-1542-011](#) [7004-1512-000](#) [7009-1511-004](#) [7010-1511-000](#) [7029-1511-060](#) [7101-1541-010](#) [7101-1571-002](#) [7105-1521-002](#) [7145-1521-002](#) [7203-1571-003](#) [7209-1511-011](#) [7210-1511-015](#) [7210-1511-019](#) [73137-5015](#) [73216-2241](#) [73404-2300](#) [7405-1521-005](#) [7405-1521-802](#) [8527](#) [8547](#) [FS11V](#) [877931](#) [9049-9513-000](#) [9074-9513-000](#) [9101-9573-002](#) [910A205F](#) [9130-9573-002](#) [PL11SC-026](#) [PL375-33](#) [PL40-5](#) [PL74C-221](#) [PL75MC-217](#) [PL803-7](#) [1200690078](#) [1-201144-1](#) [R107003010W](#) [R110A172100](#)