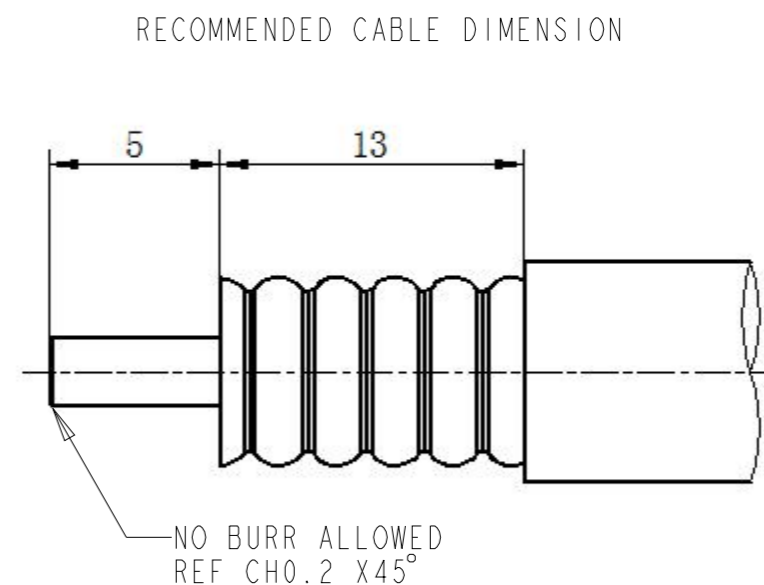
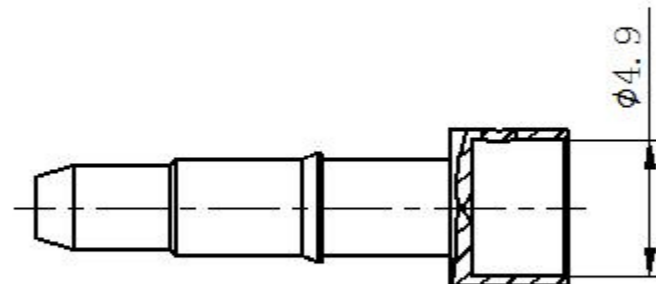
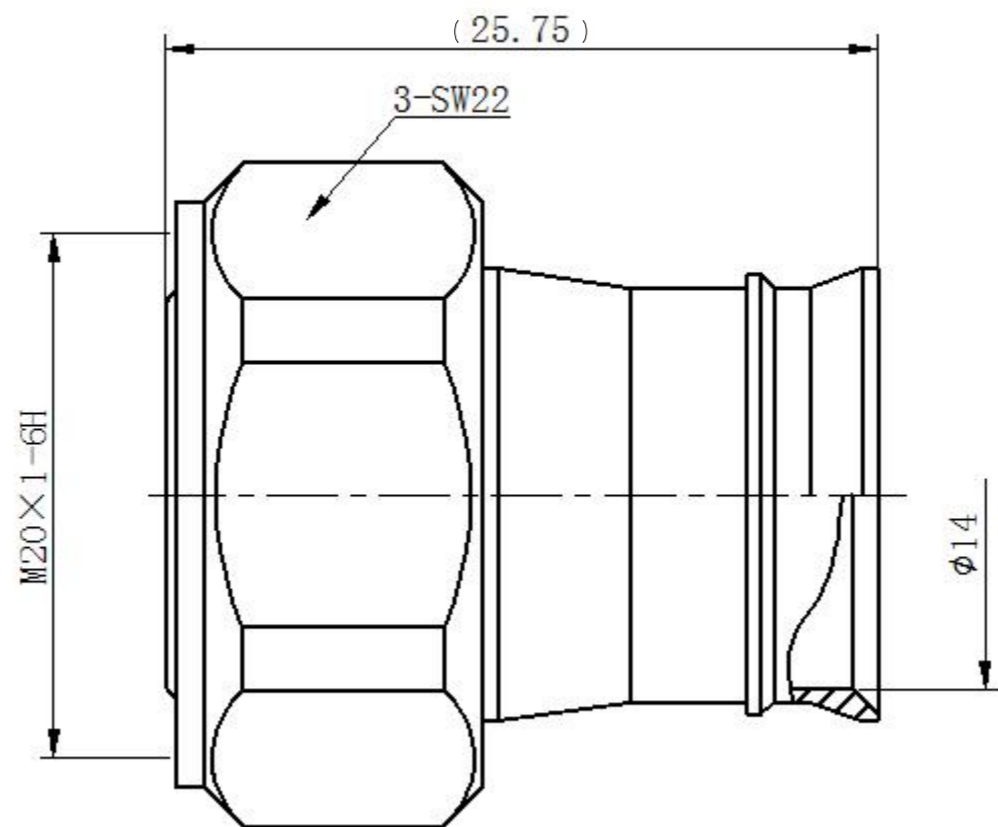


ELECTRICAL	MECHANICAL	ENVIRONMENTAL
IMPEDANCE <u>50 Ohm</u> FREQUENCY RANGE <u>DC to 6GHz</u> INSERTION LOSS: <u>MAX. 0.05*SQRT(F) dB</u> VSWR: <u>MAX. 1.15@0-3GHz</u> <u>MAX. 1.20@3-6GHz</u> DIELECTRIC WITHSTAND VOLTAGE: <u>MAX. 2500 V RMS</u> INSULATION RESISTANCE <u>MIN. 5000 Mohms</u> PIM3: <u>MAX. -160dBc @2x20W, 900MHz, 1800MHz,</u> <u>2100MHz tested with cable</u>	MATING CYCLES: <u>MIN. 100 CYCLES</u> RECOMMENDED TORQUE: <u>5Nm</u> CABLE PULLING: <u>500N MIN.</u> CABLE TORSION: <u>5Nm MIN.</u>	TEMPERATURE RANGE: <u>-40°~+85°C</u> SALT SPRAY: <u>96H</u> INTERFACE SEAL: <u>IP68(1m, 24h) MATED</u> PANEL SEAL: <u>N/A</u>

P	LTR	DESCRIPTION	DATE	DWN	APVD



NOTE:

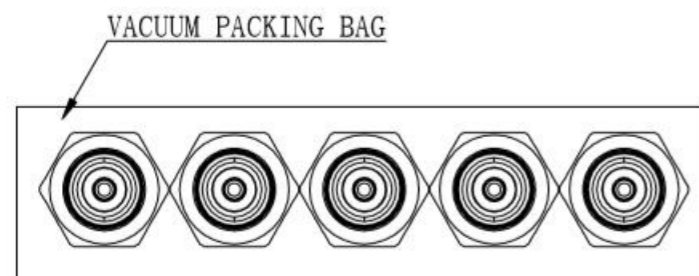
1. INTERFACE ACCORDING TO IEC 61169-54
2. CENTER CONTACT IS SPARE PART, AND WILL BE PACKAGED SEPARATELY.

P/N	PART NAME	MATERIAL	PLATING
2081968-1	CENTER CONTACT	BRASS	SILVER
	OUTER CONTACT	BRASS	WHITE BRONZE
	INSULATOR	PTFE	
	O-RING	SILICONE RUBBER	
	OTHERS	BRASS	NICKEL

THIS DRAWING IS A CONTROLLED DOCUMENT.		DWN	JZ	10MAR2020					
DIMENSIONS: mm		CHK	RZ	10MAR2020					
TOLERANCES UNLESS OTHERWISE SPECIFIED:		APVD	RS	10MAR2020	NAME				
0 PLC ±0.3 1 PLC ±0.2 2 PLC ±0.20 3 PLC ±0.100 4 PLC ±0.1000 ANGLES ±		PRODUCT SPEC		108-115175		4.3-10 STRAIGHT PLUG, SCREW FOR 1/2 FLEX CABLE SOLDER TYPE			
MATERIAL SEE TABLE		APPLICATION SPEC		408-160011		SIZE	CAGE CODE	DRAWING NO	RESTRICTED TO
FINISH SEE TABLE		WEIGHT		31g		A3	00779	©-2081968	-
-		CUSTOMER DRAWING		SCALE 1:1		SHEET 1 OF 2		REV A	

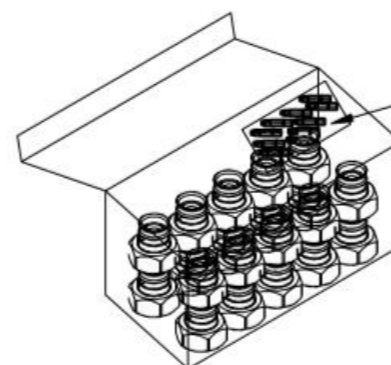
REVISIONS

P	LTR	DESCRIPTION	DATE	DWN	APVD



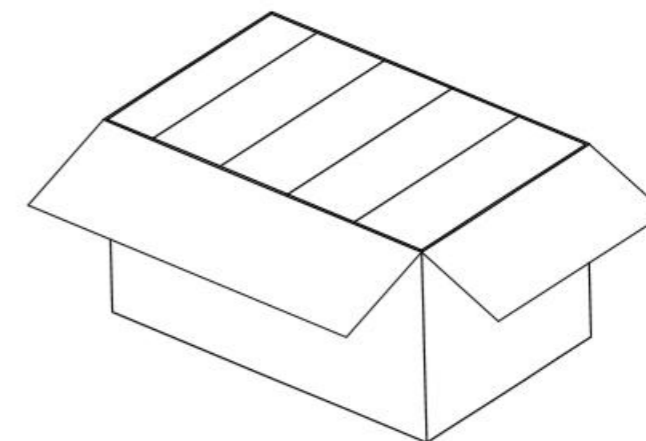
VACUUM PACKING BAG

VACUUM PACKING (5PCS/BAG)

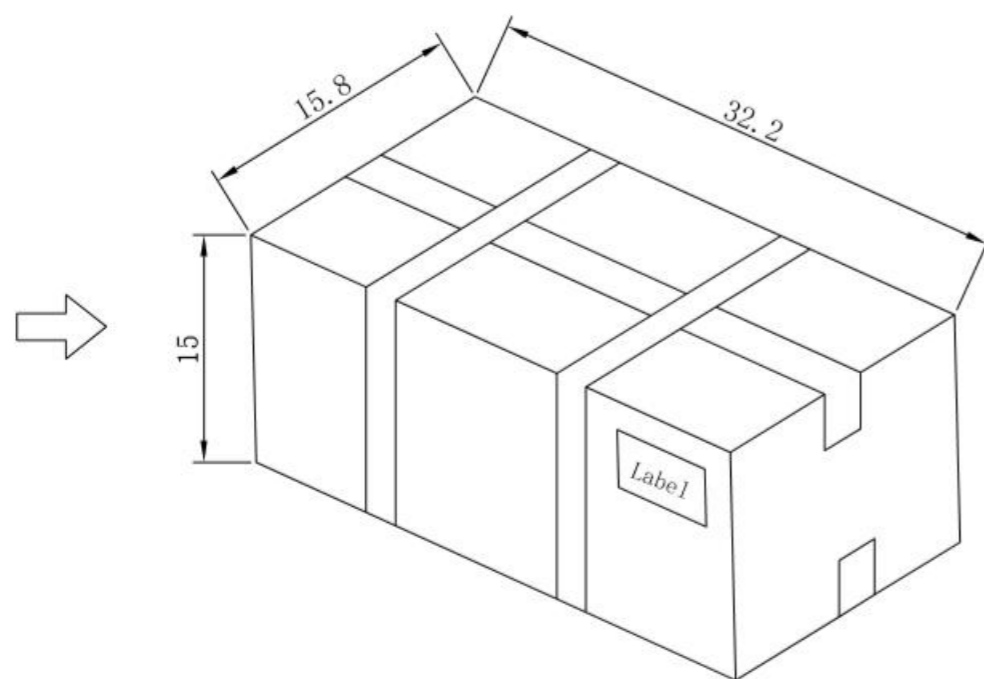


SPARE PARTS (20PCS/BAG)

INNER BOX (20PCS/BOX)



OUTER BOX (200PCS/BOX)



PACKAGE

(BOX SIZE ONLY FOR REFERENCE, UNIT: CM)

THIS DRAWING IS A CONTROLLED DOCUMENT.		DWN JZ	10MAR2020		
DIMENSIONS: mm		CHK RZ	10MAR2020		
TOLERANCES UNLESS OTHERWISE SPECIFIED:		APVD RS	10MAR2020	NAME 4.3-10 STRAIGHT PLUG, SCREW FOR 1/2 FLEX CABLE SOLDER TYPE	
		PRODUCT SPEC 108-115175		SIZE A3	
MATERIAL SEE TABLE		APPLICATION SPEC 408-160011		CAGE CODE 00779	DRAWING NO C-2081968
FINISH SEE TABLE		WEIGHT 31g		RESTRICTED TO -	
-		CUSTOMER DRAWING		SCALE 1:1	SHEET 2 OF 2
-		-		REV A	

X-ON Electronics

Largest Supplier of Electrical and Electronic Components

Click to view similar products for [RF Connectors / Coaxial Connectors](#) category:

Click to view products by [TE Connectivity](#) manufacturer:

Other Similar products are found below :

[8915-1511-000](#) [89674-0827](#) [6001-7071-019](#) [6002-7051-003](#) [6002-7551-202](#) [6059674-1](#) [619550-1](#) [630059-000](#) [M39030/3-01N](#) [6500-7071-046](#) [6769](#) [CX050L2AQ](#) [7002-1541-010](#) [7002-1542-011](#) [7004-1512-000](#) [7009-1511-004](#) [7010-1511-000](#) [7029-1511-060](#) [7101-1541-010](#) [7101-1571-002](#) [7145-1521-002](#) [7203-1571-003](#) [7209-1511-011](#) [7210-1511-015](#) [7210-1511-019](#) [73137-5015](#) [73216-2241](#) [73404-2300](#) [7405-1521-005](#) [7405-1521-802](#) [8527](#) [8547](#) [FS11V](#) [877931](#) [8808-1511-001](#) [9074-9513-000](#) [9101-9573-002](#) [910A205F](#) [9130-9573-002](#) [PL11SC-026](#) [PL375-33](#) [PL40-5](#) [PL74C-221](#) [PL75MC-217](#) [PL803-7](#) [1200690078](#) [1-201144-1](#) [R107003010W](#) [R110A172100](#) [R112186000](#)