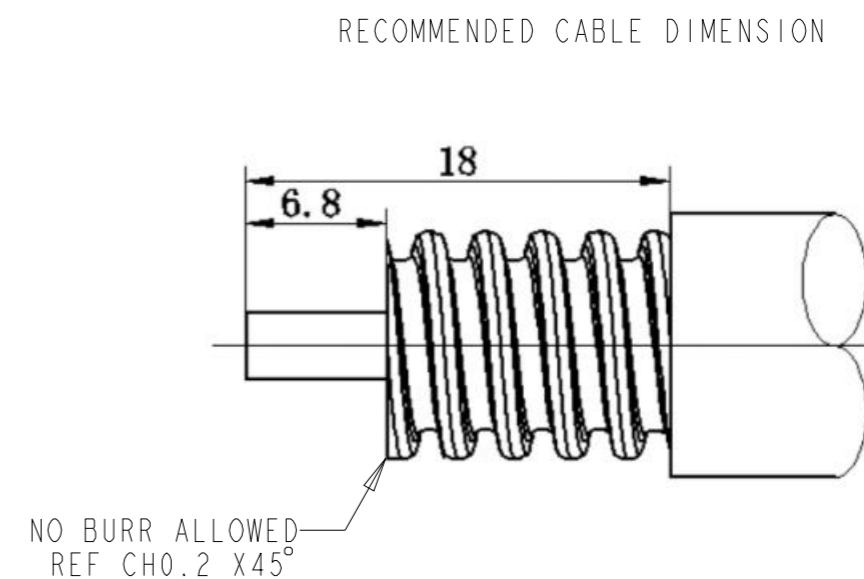
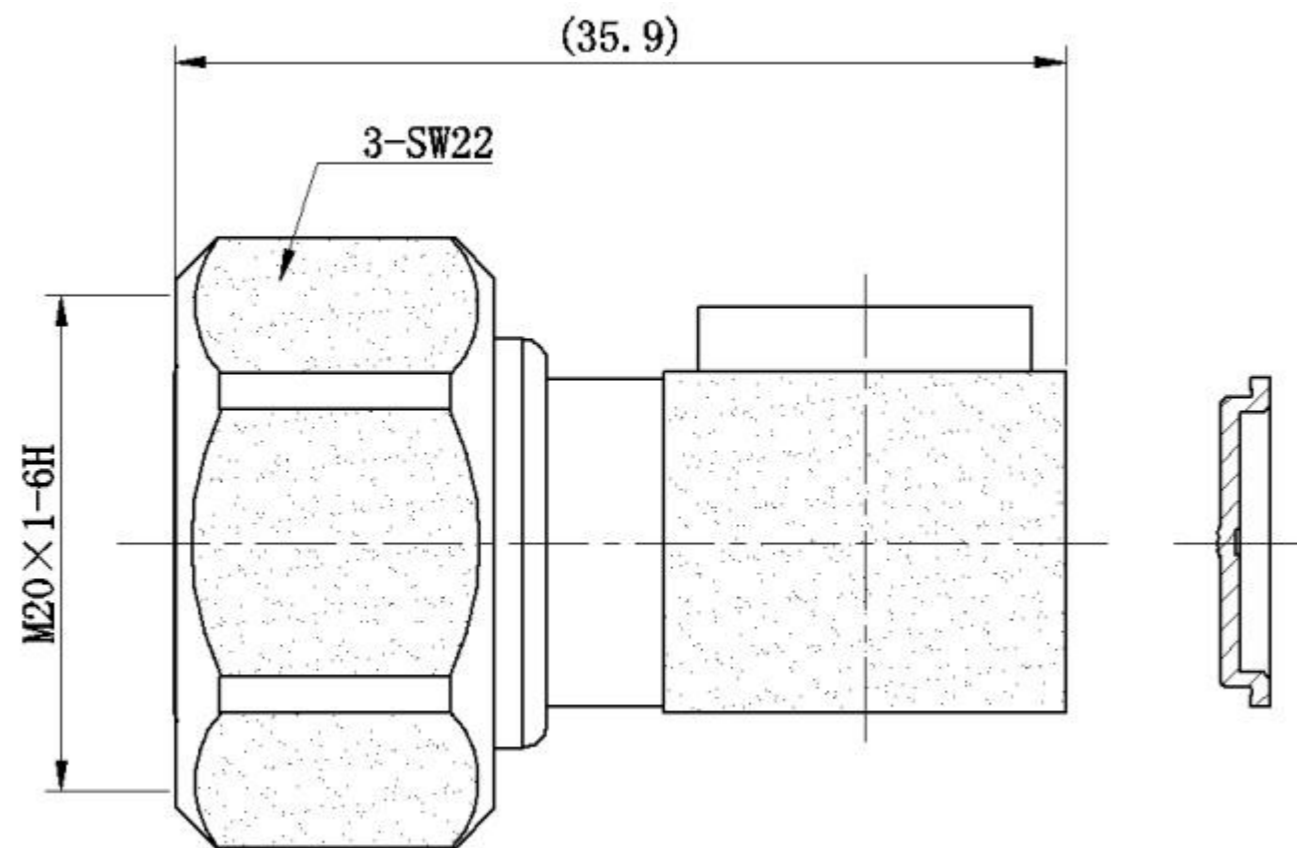


ELECTRICAL
IMPEDANCE <u>50 Ohm</u>
FREQUENCY RANGE <u>DC to 6GHz</u>
INSERTION LOSS: <u>MAX. 0.05*SQRT(F) dB</u>
VSWR: <u>MAX. 1.15@0-3GHz</u> <u>MAX. 1.35@3-6GHz</u>
DIELECTRIC WITHSTAND VOLTAGE: <u>MAX. 2500 V RMS</u>
INSULATION RESISTANCE <u>MIN. 5000 Mohms</u>
PIM3: <u>MAX. -160dBc @2x20W, 900MHz, 1800MHz,</u> <u>2100MHz tested with cable</u>

MECHANICAL
MATING CYCLES: <u>MIN. 100 CYCLES</u>
RECOMMENDED TORQUE: <u>5Nm</u>
CABLE PULLING: <u>500N MIN.</u>
CABLE TORSION: <u>5Nm MIN.</u>

ENVIRONMENTAL
TEMPERATURE RANGE: <u>-40°~+85°C</u>
SALT SPRAY: <u>96H</u>
INTERFACE SEAL: <u>IP68(1m, 24h) MATED</u>
PANEL SEAL: <u>N/A</u>

REVISIONS					
P	LTR	DESCRIPTION	DATE	DWN	APVD



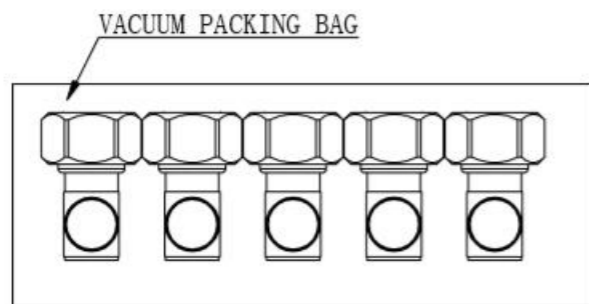
- NOTE:
1. INTERFACE ACCORDING TO IEC 61169-54
 2. CAP IS SPARE PART, AND WILL BE PACKAGED SEPARATELY.

P/N	PART NAME	MATERIAL	PLATING
2081969-1	CENTER CONTACT	BRASS	SILVER
	OUTER CONTACT	BRASS	WHITE BRONZE
	INSULATOR	PTFE	
	O-RING	SILICONE RUBBER	
	CAP	BRASS	WHITE BRONZE
	NUT	BRASS	NICKEL

THIS DRAWING IS A CONTROLLED DOCUMENT.		DWN	JZ	10MAR2020			
DIMENSIONS: mm		CHK	RZ	10MAR2020			
TOLERANCES UNLESS OTHERWISE SPECIFIED:		APVD	RS	10MAR2020	NAME		
0 PLC ±0.3		PRODUCT SPEC		108-115175	4.3-10 RA PLUG, SCREW FOR 1/2 SUPERFLEX CABLE SOLDER TYPE		
1 PLC ±0.2		APPLICATION SPEC		408-160012	SIZE	CAGE CODE	DRAWING NO
2 PLC ±0.2		WEIGHT		39g	A3	00779	©-2081969
3 PLC ±0.2		CUSTOMER DRAWING			SCALE	SHEET	REV
4 PLC ±0.2					1:1	1 OF 2	A
ANGLES ±							
FINISH							
MATERIAL SEE TABLE							

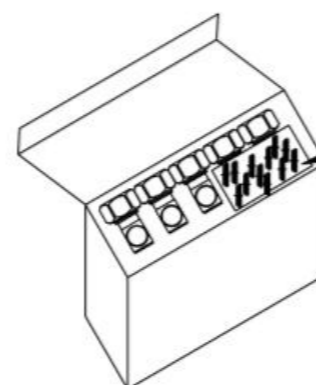
REVISIONS

P	LTR	DESCRIPTION	DATE	DWN	APVD



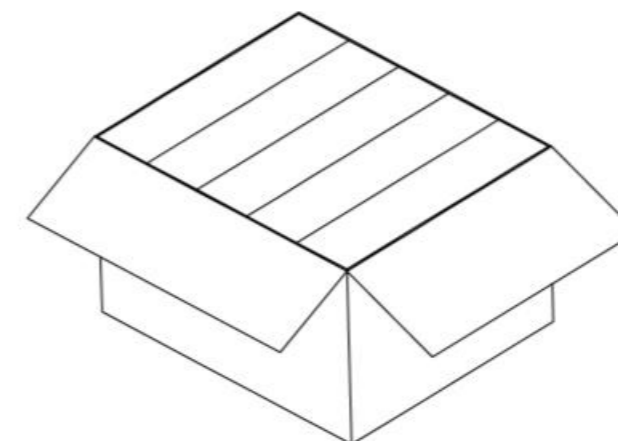
VACUUM PACKING BAG

VACUUM PACKING (5PCS/BAG)

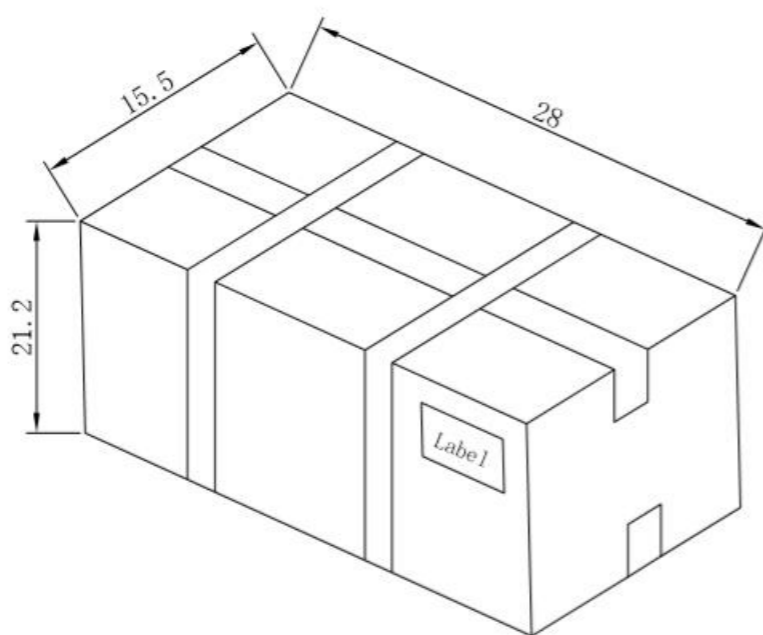


SPARE PARTS (10PCS/BAG)

INNER BOX (10PCS/BOX)



OUTER BOX (150PCS/BOX)

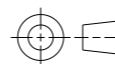


PACKAGE

(BOX SIZE ONLY FOR REFERENCE, UNIT:CM)

THIS DRAWING IS A CONTROLLED DOCUMENT.

DIMENSIONS:
mm



TOLERANCES UNLESS OTHERWISE SPECIFIED:

0 PLC	±0.2
1 PLC	±0.2
2 PLC	±0.2
3 PLC	±0.2
4 PLC	±0.2
ANGLES	±

MATERIAL
SEE TABLE

FINISH
SEE TABLE

DWN 10MAR2020

CHK JZ

CHK RZ

APVD 10MAR2020

RS

PRODUCT SPEC

108-115175

APPLICATION SPEC

408-160012

WEIGHT

39g



NAME
4.3-10 RA PLUG, SCREW
FOR 1/2 SUPERFLEX CABLE
SOLDER TYPE

SIZE	CAGE CODE	DRAWING NO	RESTRICTED TO
------	-----------	------------	---------------

A3	00779	C=2081969	-
----	-------	-----------	---

CUSTOMER DRAWING	SCALE 1:1	SHEET 2 OF 2	REV A
------------------	-----------	--------------	-------

X-ON Electronics

Largest Supplier of Electrical and Electronic Components

Click to view similar products for [RF Connectors / Coaxial Connectors](#) category:

Click to view products by [TE Connectivity](#) manufacturer:

Other Similar products are found below :

[8915-1511-000](#) [89674-0827](#) [6001-7071-019](#) [6002-7051-003](#) [6002-7551-202](#) [6059674-1](#) [619550-1](#) [630059-000](#) [M39030/3-01N](#) [6500-7071-046](#) [6769](#) [CX050L2AQ](#) [7002-1541-010](#) [7002-1542-011](#) [7004-1512-000](#) [7009-1511-004](#) [7010-1511-000](#) [7029-1511-060](#) [7101-1541-010](#) [7101-1571-002](#) [7105-1521-002](#) [7145-1521-002](#) [7203-1571-003](#) [7209-1511-011](#) [7210-1511-015](#) [7210-1511-019](#) [73137-5015](#) [73216-2241](#) [73404-2300](#) [7405-1521-005](#) [7405-1521-802](#) [8527](#) [8547](#) [FS11V](#) [877931](#) [9049-9513-000](#) [9074-9513-000](#) [9101-9573-002](#) [910A205F](#) [9130-9573-002](#) [PL11SC-026](#) [PL375-33](#) [PL40-5](#) [PL74C-221](#) [PL75MC-217](#) [PL803-7](#) [1200690078](#) [1-201144-1](#) [R107003010W](#) [R110A172100](#)