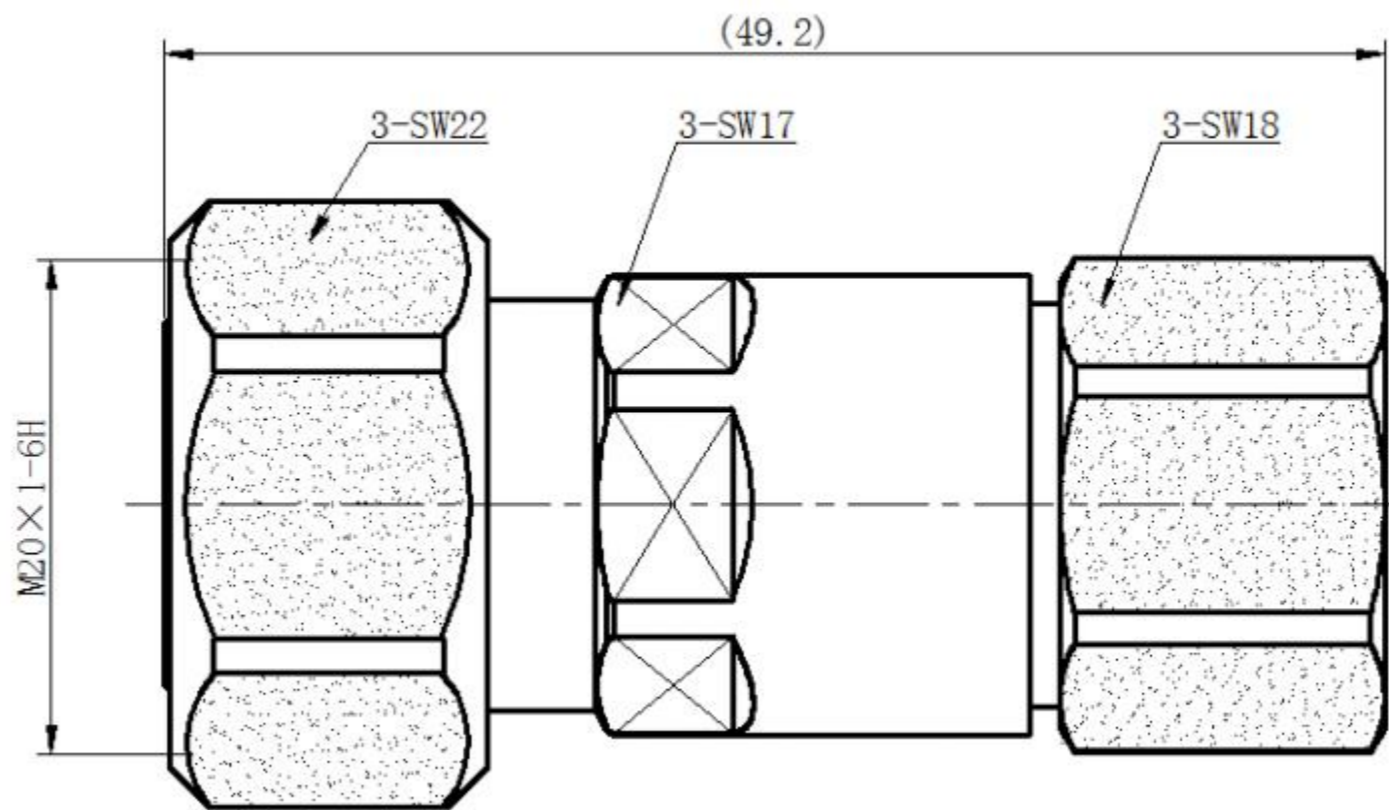
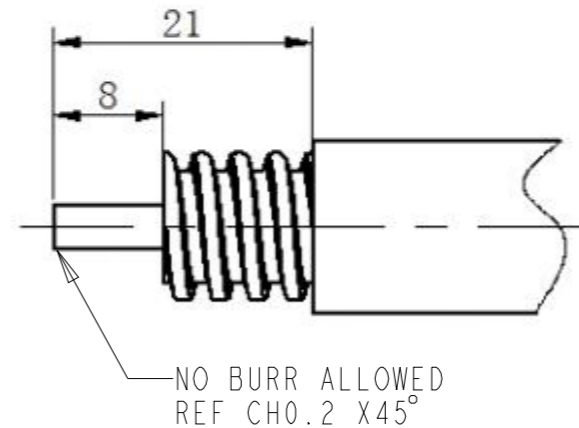


| ELECTRICAL   | MECHANICAL   | ENVIRONMENTAL   |
|--|--|---|
| IMPEDANCE <u>50 Ohm</u><br>FREQUENCY RANGE <u>DC to 6GHz</u><br>INSERTION LOSS: <u>MAX. 0.05*SQRT(F) dB</u><br>VSWR: <u>MAX. 1.15@0-3GHz</u><br><u>MAX. 1.25@3-6GHz</u><br>DIELECTRIC WITHSTAND VOLTAGE:<br><u>MAX. 2500 V RMS</u><br>INSULATION RESISTANCE <u>MIN. 5000 Mohms</u><br>PIM3: <u>MAX. -160dBc @2x20W, 900MHz, 1800MHz,</u><br><u>2100MHz tested with cable</u> | MATING CYCLES: <u>MIN. 100 CYCLES</u><br>RECOMMENDED TORQUE: <u>5Nm</u><br>CABLE PULLING: <u>500N MIN.</u><br>CABLE TORSION: <u>5Nm MIN.</u> | TEMPERATURE RANGE: <u>-40°~+85°C</u><br>SALT SPRAY: <u>96H</u><br>INTERFACE SEAL: <u>IP68(1m, 24h) MATED</u><br>CLAMP SEAL: <u>IP67(1m, 0.5h)</u> |

| P | LTR | DESCRIPTION | DATE | DWN | APVD |
|---|-----|-------------|------|-----|------|
|   |     |             |      |     |      |



RECOMMENDED CABLE DIMENSION



NOTE:

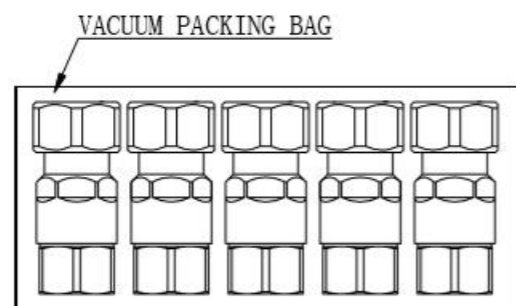
1. INTERFACE ACCORDING TO IEC 61169-54

| P/N       | PART NAME      | MATERIAL        | PLATING      |
|-----------|----------------|-----------------|--------------|
| 2081970-1 | CENTER CONTACT | BRONZE          | SILVER       |
|           | OUTER CONTACT  | BRASS           | WHITE BRONZE |
|           | INSULATOR      | PTFE            |              |
|           | O-RING         | SILICONE RUBBER |              |
|           | OTHERS         | BRASS           | NICKEL       |

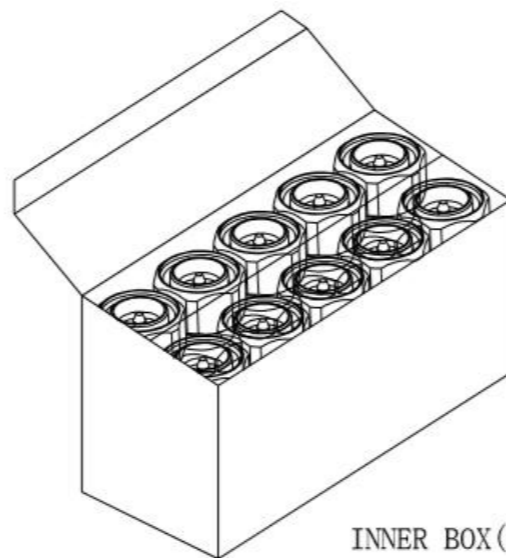
|  |                  |                  |            |           |  |           |            |
|--|------------------|------------------|------------|-----------|--|-----------|------------|
| THIS DRAWING IS A CONTROLLED DOCUMENT. |                  | DWN              | JZ         | 10MAR2020 |  |           |            |
| DIMENSIONS: mm                         |                  | CHK              | RS         | 10MAR2020 |  |           |            |
| TOLERANCES UNLESS OTHERWISE SPECIFIED: |                  | APVD             | RS         | 10MAR2020 | NAME   |           |            |
| 0 PLC ±0.3                             | 1 PLC ±0.2       | PRODUCT SPEC     | 108-115175 |           | 4.3-10 STRAIGHT PLUG, SCREW FOR 1/2 SUPERFLEX CABLE CLAMP TYPE |           |            |
| 2 PLC ±0.2                             | 3 PLC ±0.2       | APPLICATION SPEC | 408-160013 |           | SIZE   | CAGE CODE | DRAWING NO |
| 4 PLC ±0.2                             | ANGLES ±         | WEIGHT           | 62.5g      |           | A3   | 00779     | ©=2081970  |
| MATERIAL SEE TABLE                     | FINISH SEE TABLE | CUSTOMER DRAWING |            | SCALE     | 1:1  | SHEET     | 1 OF 2     |
| -                                      | -                |                  |            | REV       | A  |           |            |

REVISIONS

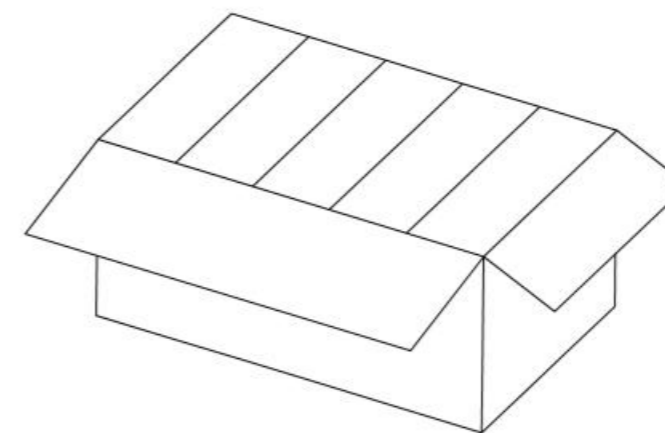
| P | LTR | DESCRIPTION | DATE | DWN | APVD |
|---|-----|-------------|------|-----|------|
|   |     |             |      |     |      |



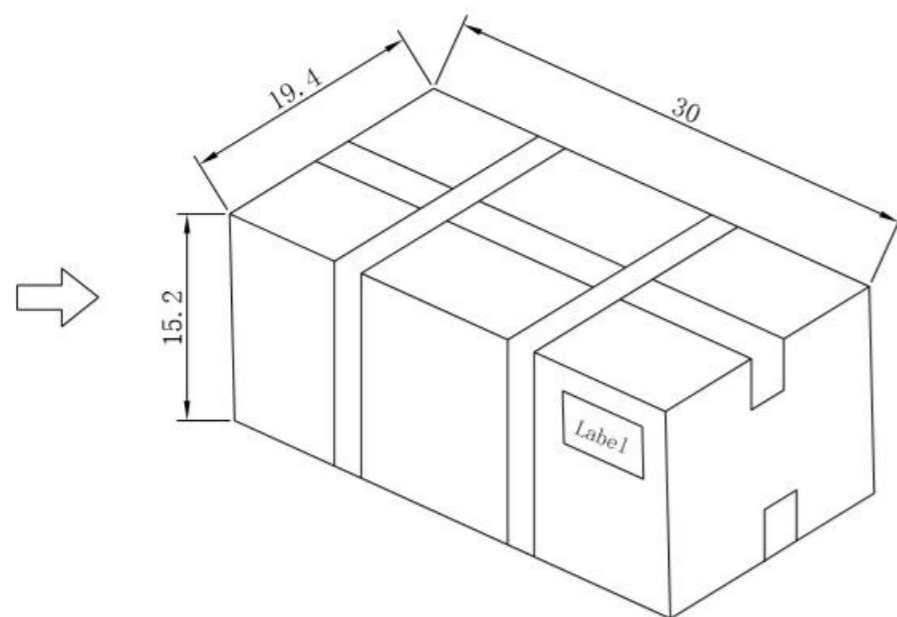
VACUUM PACKING(5PCS/BAG)



INNER BOX(10PCS/BOX)



OUTER BOX(150PCS/BOX)



PACKAGE

(BOX SIZE ONLY FOR REFERENCE, UNIT:CM)

|  |  |                     |                 |  |           |
|--|--|---------------------|-----------------|--|-----------|
| THIS DRAWING IS A CONTROLLED DOCUMENT. |  | DWN<br>JZ           | 10MAR2020       |  |           |
| DIMENSIONS:<br>mm                      |  | CHK<br>RS           | 10MAR2020       |  |           |
| TOLERANCES UNLESS OTHERWISE SPECIFIED: |  | APVD<br>RS          | 10MAR2020       | NAME<br>4.3-10 STRAIGHT PLUG, SCREW<br>FOR 1/2 SUPERFLEX CABLE<br>CLAMP TYPE |           |
|  |  | PRODUCT SPEC        | 108-115175      | SIZE<br>A3   |           |
|  |  | APPLICATION SPEC    | 408-160013      | CAGE CODE  | 00779     |
| MATERIAL<br>SEE TABLE                  |  | FINISH<br>SEE TABLE | WEIGHT<br>62.5g | DRAWING NO   | C=2081970 |
| -                                      |  | CUSTOMER DRAWING    |                 | RESTRICTED TO  | -         |
| -                                      |  | SCALE<br>1:1        |                 | SHEET<br>2 OF 2  | REV<br>A  |

## X-ON Electronics

Largest Supplier of Electrical and Electronic Components

*Click to view similar products for [RF Connectors](#) / [Coaxial Connectors](#) category:*

*Click to view products by [TE Connectivity](#) manufacturer:*

Other Similar products are found below :

[8915-1511-000](#) [89674-0827](#) [6001-7071-019](#) [6002-7051-003](#) [6002-7551-202](#) [6059674-1](#) [619550-1](#) [630059-000](#) [M39030/3-01N](#) [6500-7071-046](#) [6769](#) [CX050L2AQ](#) [7002-1541-010](#) [7002-1542-011](#) [7004-1512-000](#) [7009-1511-004](#) [7010-1511-000](#) [7029-1511-060](#) [7101-1541-010](#) [7101-1571-002](#) [7145-1521-002](#) [7203-1571-003](#) [7209-1511-011](#) [7210-1511-015](#) [7210-1511-019](#) [73137-5015](#) [73216-2241](#) [73404-2300](#) [7405-1521-005](#) [7405-1521-802](#) [8527](#) [8547](#) [FS11V](#) [877931](#) [8808-1511-001](#) [9074-9513-000](#) [9101-9573-002](#) [910A205F](#) [9130-9573-002](#) [PL11SC-026](#) [PL375-33](#) [PL40-5](#) [PL74C-221](#) [PL75MC-217](#) [PL803-7](#) [1200690078](#) [1-201144-1](#) [R107003010W](#) [R110A172100](#) [R112186000](#)