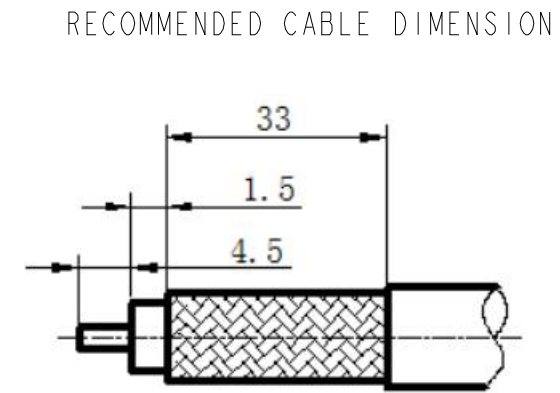
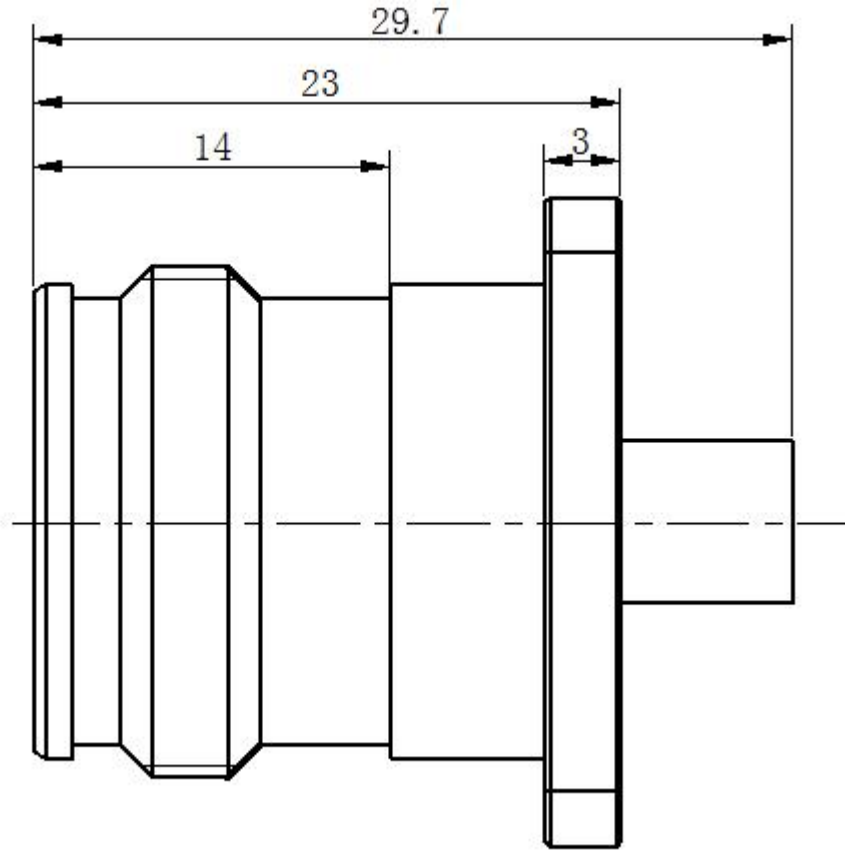
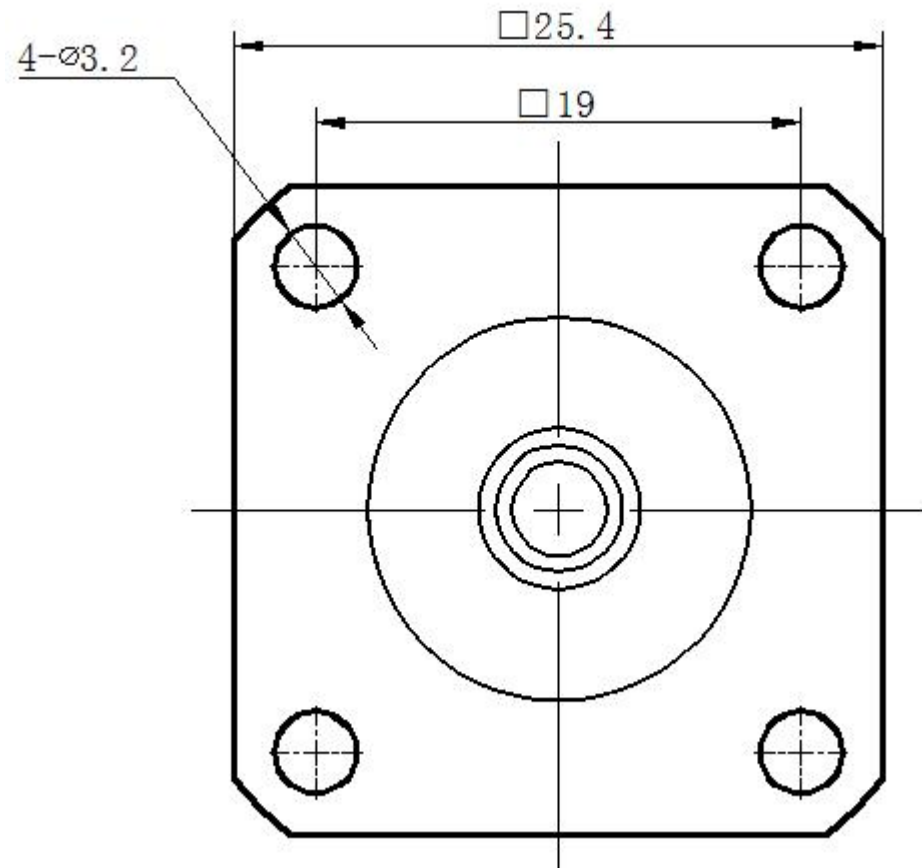


ELECTRICAL	
IMPEDANCE	50 Ohm
FREQUENCY RANGE	DC to 6GHz
INSERTION LOSS:	Max. 0.05*SQRT(F) dB
VSWR:	Max. 1.15@0-3GHz Max. 1.20@3-6GHz
DIELECTRIC WITHSTAND VOLTAGE:	Max. 1500 V RMS
INSULATION RESISTANCE	Min. 5000 Mohms
PIM3:	Max. -160dBc @2x20W, 900MHz, 1800MHz, 2100MHz tested with cable

MECHANICAL	
MATING CYCLES:	MIN. 100 CYCLES
RECOMMENDED TORQUE:	5Nm
CABLE PULLING:	150N MIN.
CABLE TORSION:	0.06Nm MIN.

ENVIRONMENTAL	
TEMPERATURE RANGE:	-40°~+85°C
SALT SPRAY:	96H
INTERFACE SEAL:	IP68(1m, 24h) MATED
PANEL SEAL:	N/A

P	LTR	DESCRIPTION	DATE	DWN	APVD



NOTE:

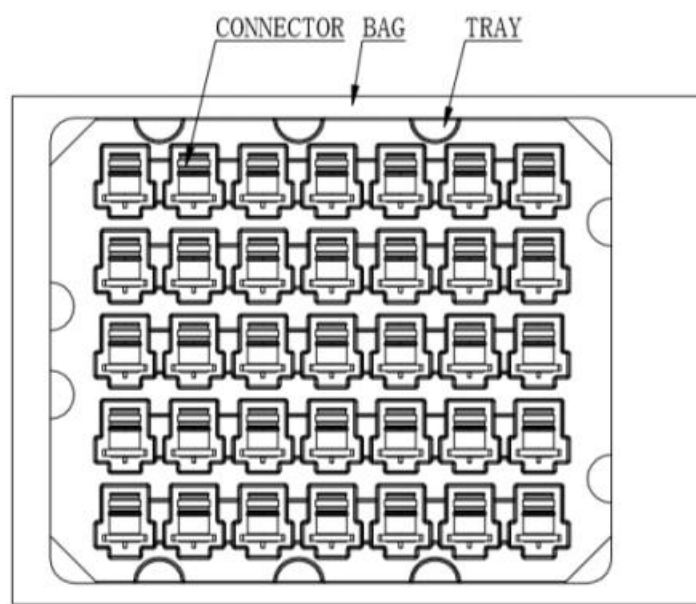
1. INTERFACE ACCORDING TO IEC 61169-54
2. CENTER CONTACT WITH AN INSULATOR, CLIP AND SLEEVE, ARE SPARE PARTS, AND WILL BE PACKAGED SEPARATELY IN BAG

P/N	PART NAME	MATERIAL	PLATING
2081973-1	CENTER CONTACT	BRONZE	SILVER
	OUTER CONTACT	BRONZE	SILVER
	BODY	BRASS	WHITE BRONZE
	INSULATOR	PTFE	
	CLIP	PTFE	
	SLEEVE	BRASS	SILVER

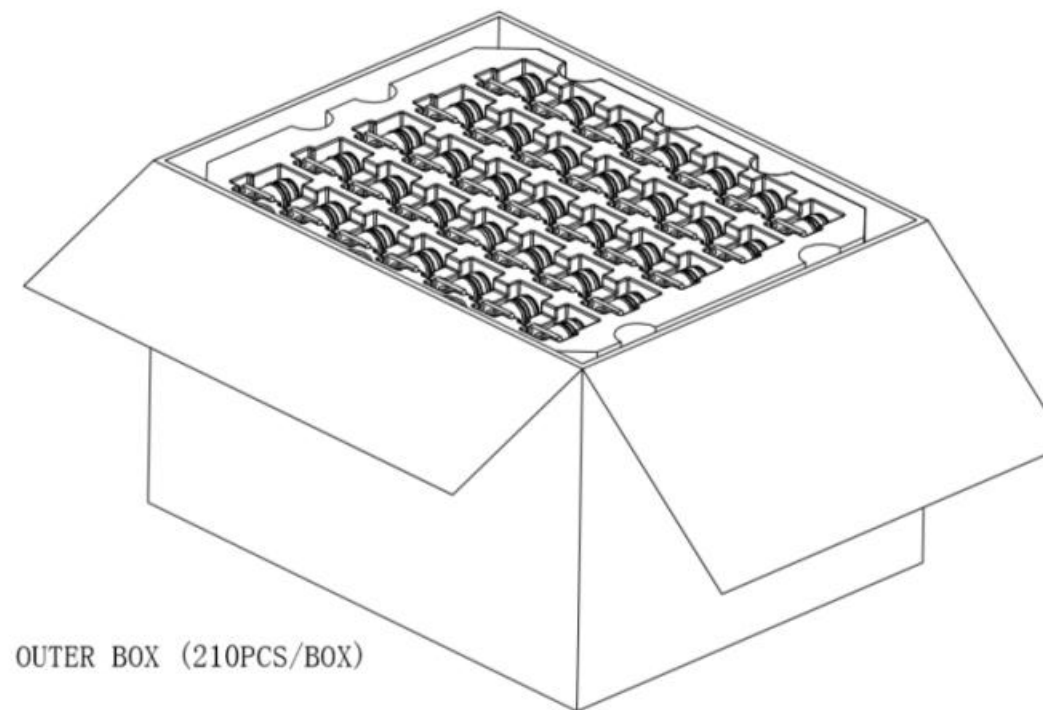
THIS DRAWING IS A CONTROLLED DOCUMENT.		DWN	JZ	10MAR2020	TE Connectivity												
DIMENSIONS: mm		CHK	RZ	10MAR2020													
TOLERANCES UNLESS OTHERWISE SPECIFIED:		APVD	RS	10MAR2020	NAME 4.3-10 STRAIGHT JACK FOR RG141 CABLE SOLDER TYPE, 4 HOLES SQUARE FLANGE												
<table border="0"> <tr><td>0 PLC</td><td>±0.2</td></tr> <tr><td>1 PLC</td><td>±0.2</td></tr> <tr><td>2 PLC</td><td>±0.2</td></tr> <tr><td>3 PLC</td><td>±0.2</td></tr> <tr><td>4 PLC</td><td>±0.2</td></tr> <tr><td>ANGLES</td><td>±</td></tr> </table>		0 PLC	±0.2	1 PLC				±0.2	2 PLC	±0.2	3 PLC	±0.2	4 PLC	±0.2	ANGLES	±	PRODUCT SPEC
0 PLC	±0.2																
1 PLC	±0.2																
2 PLC	±0.2																
3 PLC	±0.2																
4 PLC	±0.2																
ANGLES	±																
MATERIAL SEE TABLE		APPLICATION SPEC		408-160017		SIZE	A3	CAGE CODE	00779	DRAWING NO	©-2081973	RESTRICTED TO	-				
FINISH SEE TABLE		WEIGHT		41g		SCALE		1:1		SHEET 1 OF 2		REV A					
-		CUSTOMER DRAWING		-		-		-		-		-					

REVISIONS

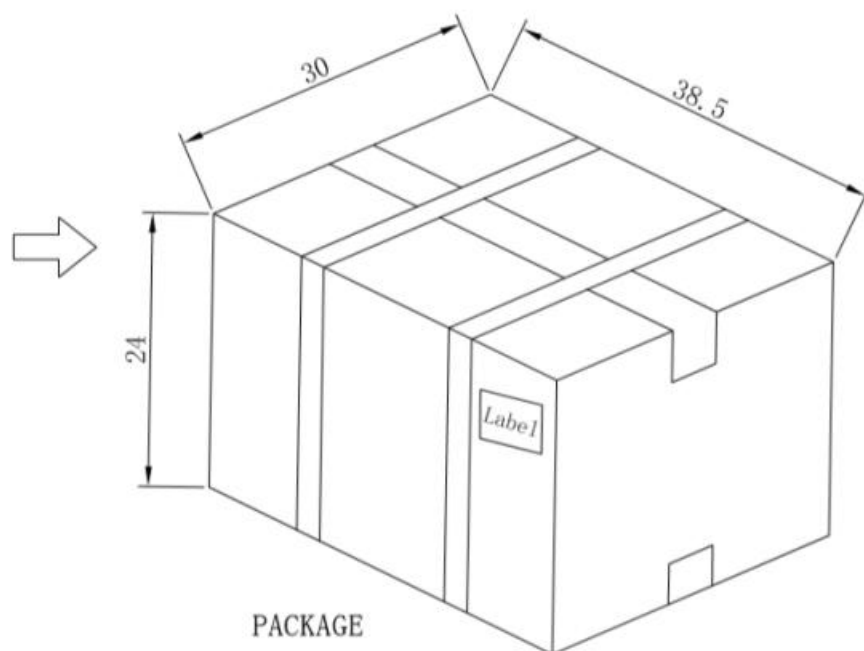
P	LTR	DESCRIPTION	DATE	DWN	APVD



TRAY PACKAGE


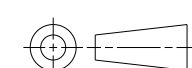


OUTER BOX (210PCS/BOX)



PACKAGE

(BOX SIZE ONLY FOR REFERENCE, UNIT: CM)

THIS DRAWING IS A CONTROLLED DOCUMENT.		DWN JZ	10MAR2020	 TE Connectivity	
DIMENSIONS: mm		CHK RZ	10MAR2020		
TOLERANCES UNLESS OTHERWISE SPECIFIED:		APVD RS	10MAR2020	NAME 4.3-10 STRAIGHT JACK FOR RG141 CABLE SOLDER TYPE, 4 HOLES SQUARE FLANGE	
		PRODUCT SPEC 108-115175		RESTRICTED TO	
MATERIAL SEE TABLE		APPLICATION SPEC 408-160017		SIZE A3	CAGE CODE 00779
FINISH SEE TABLE		WEIGHT 41g		DRAWING NO C-2081973	
-		CUSTOMER DRAWING		SCALE 1:1	SHEET 2 OF 2
-		-		REV A	

X-ON Electronics

Largest Supplier of Electrical and Electronic Components

Click to view similar products for [RF Connectors / Coaxial Connectors](#) category:

Click to view products by [TE Connectivity](#) manufacturer:

Other Similar products are found below :

[8915-1511-000](#) [89674-0827](#) [6001-7071-019](#) [6002-7051-003](#) [6002-7551-202](#) [6059674-1](#) [619550-1](#) [630059-000](#) [M39030/3-01N](#) [6500-7071-046](#) [6769](#) [CX050L2AQ](#) [7002-1541-010](#) [7002-1542-011](#) [7004-1512-000](#) [7009-1511-004](#) [7010-1511-000](#) [7029-1511-060](#) [7101-1541-010](#) [7101-1571-002](#) [7105-1521-002](#) [7145-1521-002](#) [7203-1571-003](#) [7209-1511-011](#) [7210-1511-015](#) [7210-1511-019](#) [73137-5015](#) [73216-2241](#) [73404-2300](#) [7405-1521-005](#) [7405-1521-802](#) [8527](#) [8547](#) [FS11V](#) [877931](#) [9049-9513-000](#) [9074-9513-000](#) [9101-9573-002](#) [910A205F](#) [9130-9573-002](#) [PL11SC-026](#) [PL375-33](#) [PL40-5](#) [PL74C-221](#) [PL75MC-217](#) [PL803-7](#) [1200690078](#) [1-201144-1](#) [R107003010W](#) [R110A172100](#)