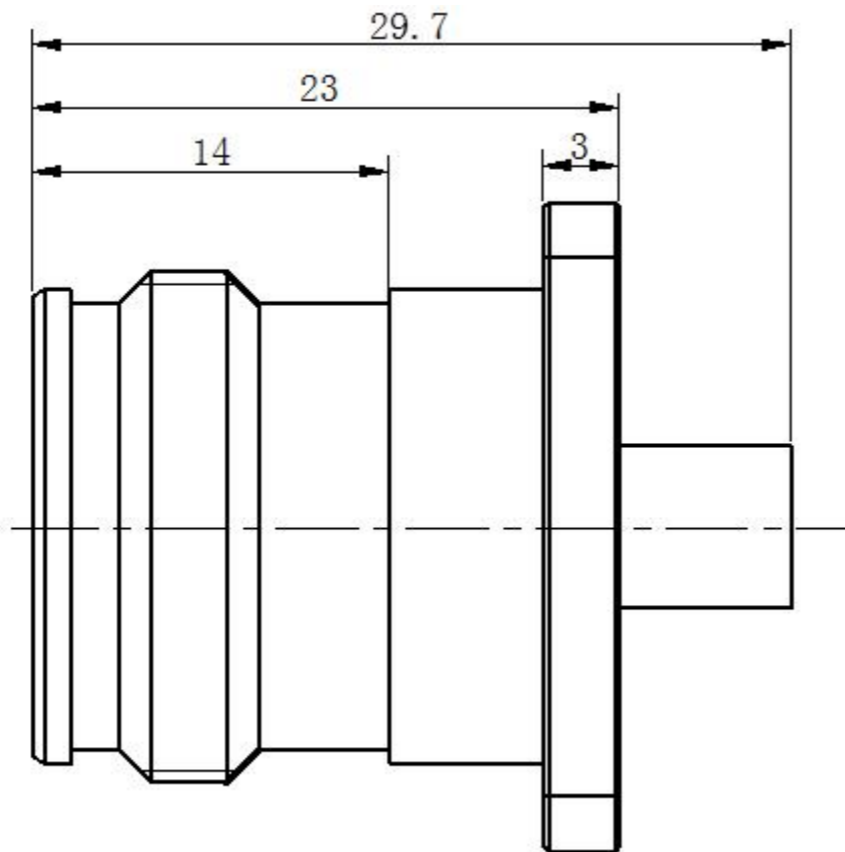
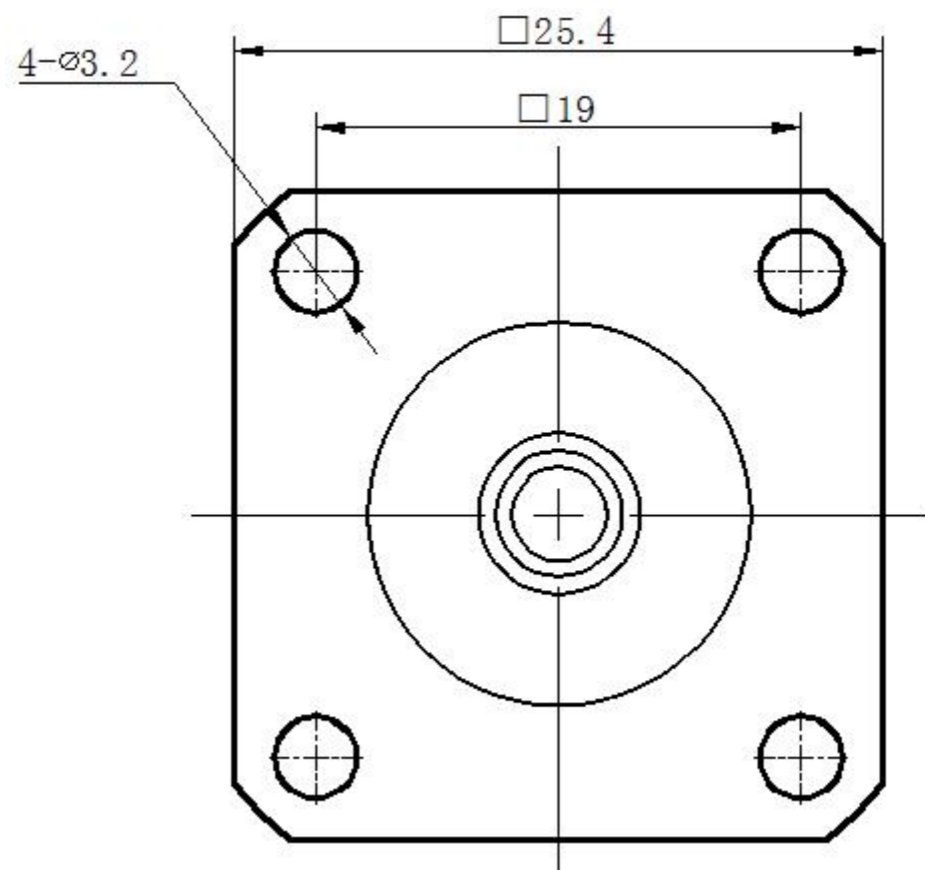


ELECTRICAL	
IMPEDANCE	50 Ohm
FREQUENCY RANGE	DC to 6GHz
INSERTION LOSS:	Max. 0.05*SQRT(F) dB
VSWR:	Max. 1.15@0-3GHz Max. 1.20@3-6GHz
DIELECTRIC WITHSTAND VOLTAGE:	Max. 1500 V RMS
INSULATION RESISTANCE	Min. 5000 Mohms
PIM3:	Max. -160dBc @2x20W, 900MHz, 1800MHz, 2100MHz tested with cable

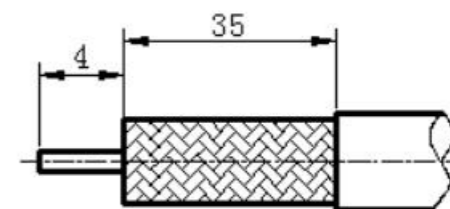
MECHANICAL	
MATING CYCLES:	MIN. 100 CYCLES
RECOMMENDED TORQUE:	5Nm
CABLE PULLING:	150N MIN.
CABLE TORSION:	0.06Nm MIN.

ENVIRONMENTAL	
TEMPERATURE RANGE:	-40°~+85°C
SALT SPRAY:	96H
INTERFACE SEAL:	IP68(1m, 24h) MATED
PANEL SEAL:	N/A

P	LTR	DESCRIPTION	DATE	DWN	APVD



RECOMMENDED CABLE DIMENSION



NOTE:

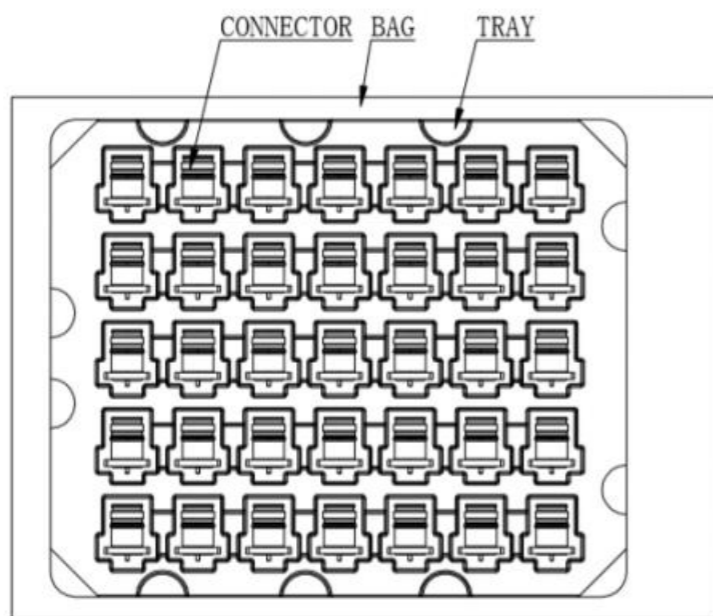
1. INTERFACE ACCORDING TO IEC 61169-54
2. CENTER CONTACT WITH AN INSULATOR, AND CLIP, ARE SPARE PARTS, AND WILL BE PACKAGED SEPARATELY IN BAG

P/N	PART NAME	MATERIAL	PLATING
2081974-1	CENTER CONTACT	BRONZE	SILVER
	OUTER CONTACT	BRONZE	SILVER
	BODY	BRASS	WHITE BRONZE
	INSULATOR	PTFE	
	CLIP	PTFE	

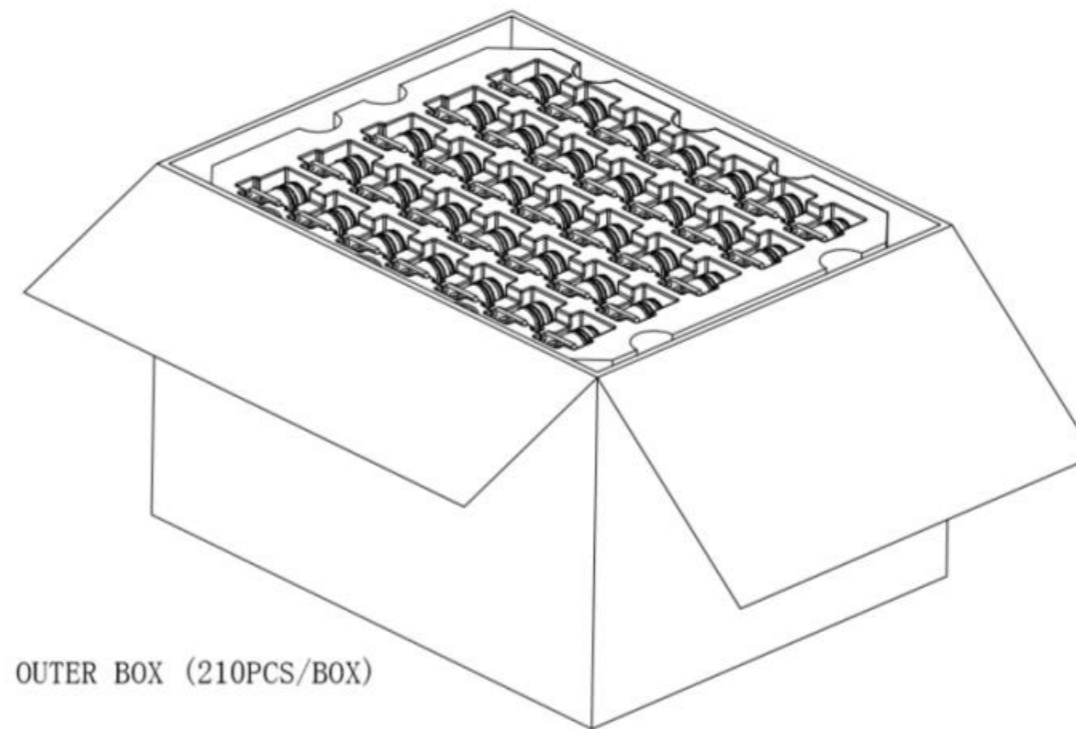
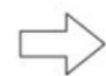
THIS DRAWING IS A CONTROLLED DOCUMENT.		DWN	JZ	10MAR2020	<b>TE</b> TE Connectivity											
DIMENSIONS: mm		CHK	RZ	10MAR2020												
TOLERANCES UNLESS OTHERWISE SPECIFIED:		APVD	RS	10MAR2020												
<table border="1"> <tr><td>0 PLC</td><td>±0.2</td></tr> <tr><td>1 PLC</td><td>±0.2</td></tr> <tr><td>2 PLC</td><td>±0.2</td></tr> <tr><td>3 PLC</td><td>±0.2</td></tr> <tr><td>4 PLC</td><td>±0.2</td></tr> <tr><td>ANGLES</td><td>±</td></tr> </table>		0 PLC	±0.2	1 PLC		±0.2	2 PLC	±0.2	3 PLC	±0.2	4 PLC	±0.2	ANGLES	±	PRODUCT SPEC	108-115175
0 PLC	±0.2															
1 PLC	±0.2															
2 PLC	±0.2															
3 PLC	±0.2															
4 PLC	±0.2															
ANGLES	±															
MATERIAL SEE TABLE		APPLICATION SPEC	408-160018		NAME	4.3-10 STRAIGHT JACK FOR 380 CABLE SOLDER TYPE, 4 HOLES SQUARE FLANGE										
FINISH SEE TABLE		WEIGHT	41g		SIZE	A3	CAGE CODE	00779	DRAWING NO	C=2081974	RESTRICTED TO	-				
-		CUSTOMER DRAWING		SCALE	1:1		SHEET	1 OF 2		REV	A					

REVISIONS

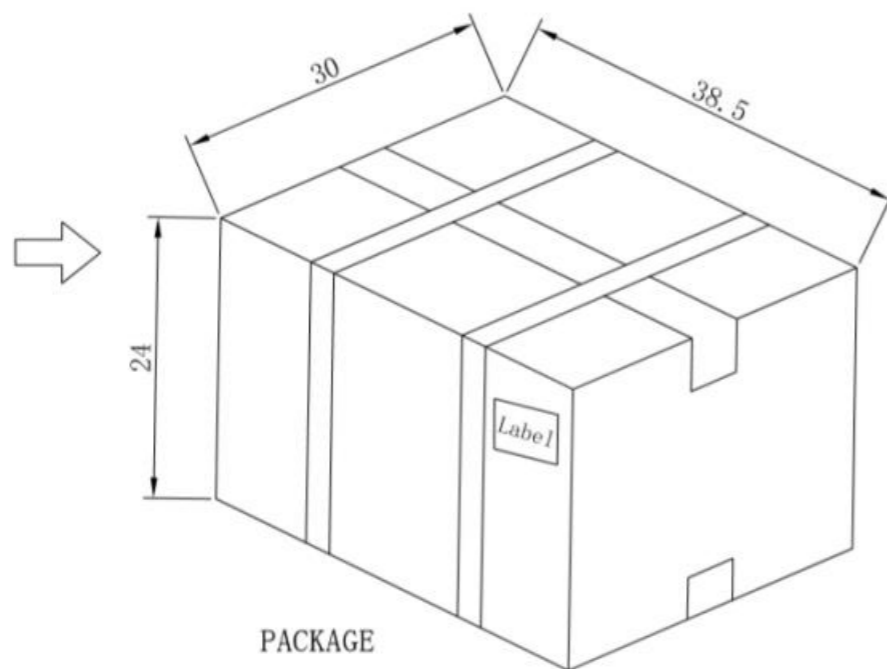
P	LTR	DESCRIPTION	DATE	DWN	APVD



TRAY PACKAGE


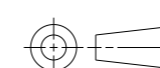


OUTER BOX (210PCS/BOX)



PACKAGE

(BOX SIZE ONLY FOR REFERENCE, UNIT: CM)

THIS DRAWING IS A CONTROLLED DOCUMENT.		DWN JZ	10MAR2020	 TE Connectivity	
DIMENSIONS: mm		CHK RZ	10MAR2020		
		APVD RS	10MAR2020		
TOLERANCES UNLESS OTHERWISE SPECIFIED:		PRODUCT SPEC			
0 PLC ±0.2		108-115175		NAME 4.3-10 STRAIGHT JACK FOR 380 CABLE SOLDER TYPE, 4 HOLES SQUARE FLANGE	
1 PLC ±0.2		APPLICATION SPEC		SIZE	
2 PLC ±0.2		408-160018		CAGE CODE	
3 PLC ±0.2		WEIGHT		DRAWING NO	
4 PLC ±0.2		41g		A3 00779 C-2081974	
ANGLES ±		CUSTOMER DRAWING		RESTRICTED TO	
FINISH		SCALE 1:1		SHEET 2 OF 2	
SEE TABLE		REV A		REV A	

## X-ON Electronics

Largest Supplier of Electrical and Electronic Components

*Click to view similar products for [RF Connectors / Coaxial Connectors](#) category:*

*Click to view products by [TE Connectivity](#) manufacturer:*

Other Similar products are found below :

[8915-1511-000](#) [89674-0827](#) [6001-7071-019](#) [6002-7051-003](#) [6002-7551-202](#) [6059674-1](#) [619550-1](#) [630059-000](#) [M39030/3-01N](#) [6500-7071-046](#) [6769](#) [CX050L2AQ](#) [7002-1541-010](#) [7002-1542-011](#) [7004-1512-000](#) [7009-1511-004](#) [7010-1511-000](#) [7029-1511-060](#) [7101-1541-010](#) [7101-1571-002](#) [7145-1521-002](#) [7203-1571-003](#) [7209-1511-011](#) [7210-1511-015](#) [7210-1511-019](#) [73137-5015](#) [73216-2241](#) [73404-2300](#) [7405-1521-005](#) [7405-1521-802](#) [8527](#) [8547](#) [FS11V](#) [877931](#) [8808-1511-001](#) [9049-9513-000](#) [9074-9513-000](#) [9101-9573-002](#) [910A205F](#) [9130-9573-002](#) [PL11SC-026](#) [PL375-33](#) [PL40-5](#) [PL74C-221](#) [PL75MC-217](#) [PL803-7](#) [1200690078](#) [1-201144-1](#) [R107003010W](#) [R110A172100](#)