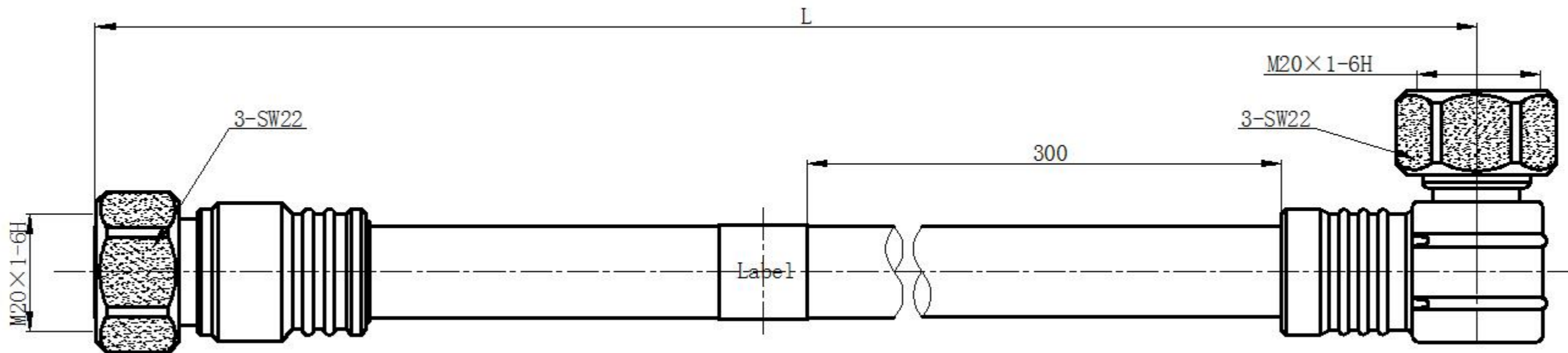


ELECTRICAL	MECHANICAL	ENVIRONMENTAL
IMPEDANCE <u>50 Ohm</u> FREQUENCY RANGE <u>DC to 6GHz</u> DIELECTRIC WITHSTAND VOLTAGE: <u>MAX. 2500 V RMS</u> INSULATION RESISTANCE: <u>MIN. 5000 Mohms</u> PIM3: <u>Max. -160dBc @2x20W(43dBm),</u> <u>and 900MHz, 1800MHz, 2100MHz</u>	MATING CYCLES: <u>MIN. 100 cycles</u> RECOMMEND TORQUE: <u>5Nm</u> BENDING RADIUS: <u>SINGLE 17mm</u> <u>REPEATED 55mm</u> CABLE PULLING: <u>MIN. 500N</u> CABLE TORSION: <u>MIN. 5N.m</u>	TEMPERATURE RANGE: <u>-40°~+85°C</u> SALT SPRAY: <u>96H</u> INTERFACE SEAL: <u>IP68(1m, 24h) MATED</u>

P	LTR	DESCRIPTION	DATE	DWN	APVD



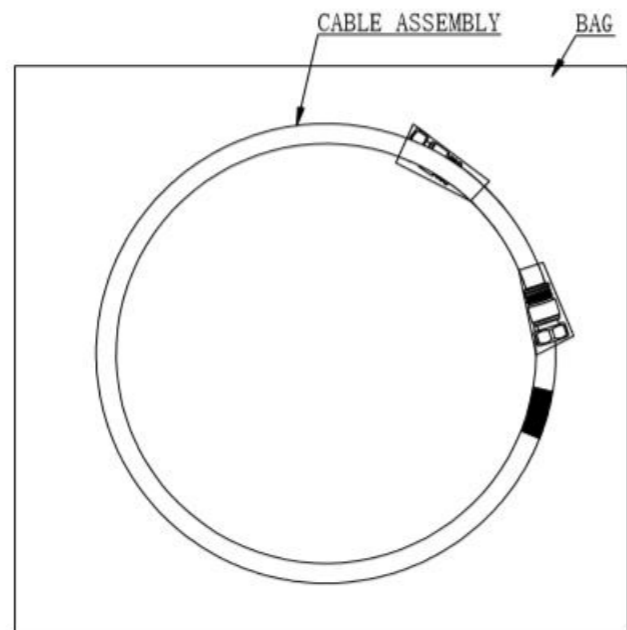
P/N	"L"	INSERTION LOSS	VSWR
2081976-1	1000+/-10	≤ 0.39dB@0-3GHZ ≤ 0.59dB@3-6GHZ	≤ 1.15@0-3GHZ ≤ 1.35@0-6GHZ

ITEM	BOM	PART NAME	MATERIAL	PLATING
1	CONNECTOR (STR+RA)	CENTER CONTACT	BRASS	SILVER
		OUTER CONTACT	BRASS	WHITE BRONZE
		INSULATOR	PTFE	
		O-RING	SILICONE RUBBER	
2	CABLE	1/2" SUPERFLEX CABLE WITH BLACK PE JACKET		
3	MOLDING	BLACK PE		
4	LABEL	WRAP STICK TYPE		

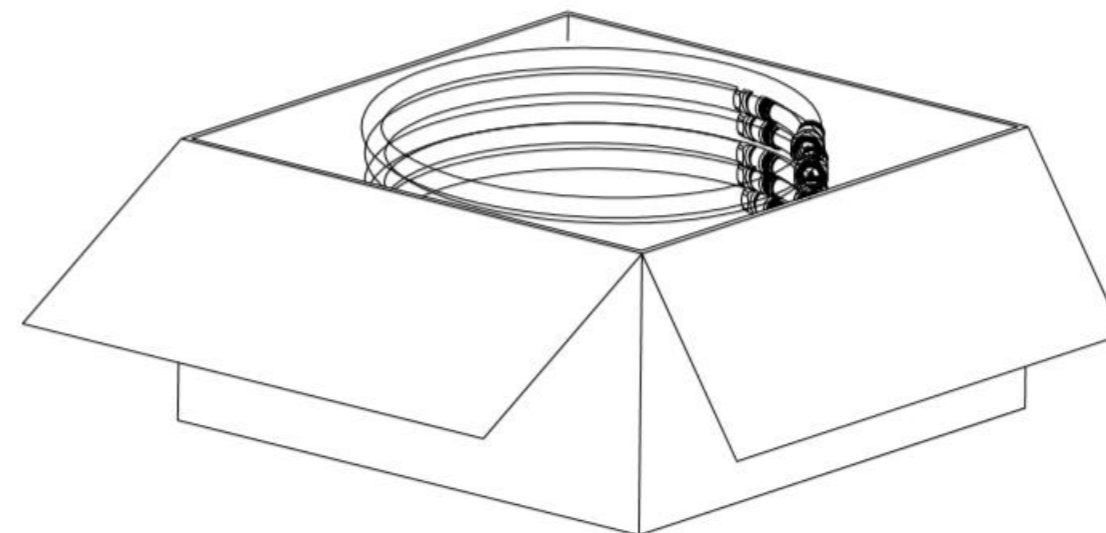
THIS DRAWING IS A CONTROLLED DOCUMENT.		DWN	JZ	10MAR2020	<b>TE</b> TE Connectivity
DIMENSIONS: mm		CHK	RZ	10MAR2020	
TOLERANCES UNLESS OTHERWISE SPECIFIED:		APVD	RS	10MAR2020	
0 PLC ±0.3 1 PLC ±0.2 2 PLC ±0.2 3 PLC ±0.2 4 PLC ±0.2 ANGLES ±-		PRODUCT SPEC	108-115175		
MATERIAL SEE TABLE		FINISH	SEE TABLE		NAME
-		WEIGHT	228g		CABLE ASSEMBLY 4.3-10 STR PLUG TO 4.3-10 RA PLUG WITH 1/2 SUPERFLEX CABLE
-		CUSTOMER DRAWING	SIZE	A3	CAGE CODE
-		SCALE	1:1		DRAWING NO
-		SHEET	1 OF 2		RESTRICTED TO
-		REV	A		

REVISIONS

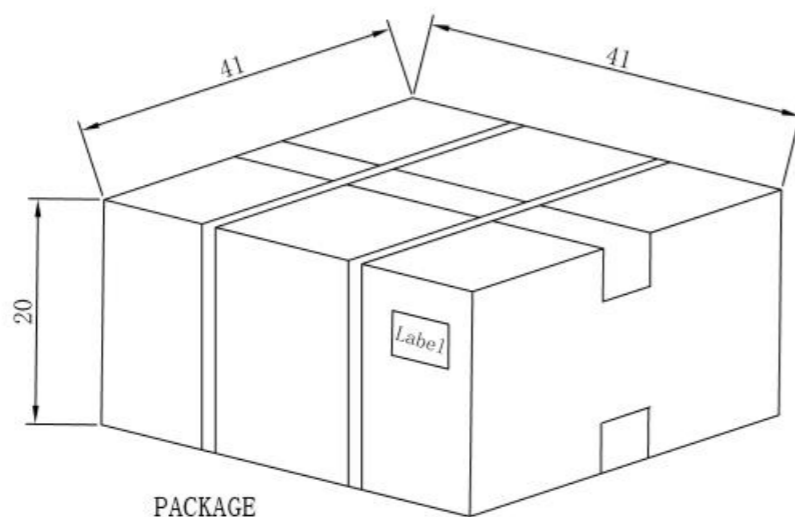
P	LTR	DESCRIPTION	DATE	DWN	APVD



ONE BAG FOR EACH CABLE ASSEMBLY



OUTER BOX (22PCS/BOX)



PACKAGE

(BOX SIZE ONLY FOR REFERENCE, UNIT: CM)

THIS DRAWING IS A CONTROLLED DOCUMENT.		DWN JZ	10MAR2020	<b>TE Connectivity</b>													
DIMENSIONS: mm		CHK RZ	10MAR2020														
TOLERANCES UNLESS OTHERWISE SPECIFIED:		APVD RS	10MAR2020	NAME CABLE ASSEMBLY													
<table border="0"> <tr><td>0 PLC</td><td>±0.3</td></tr> <tr><td>1 PLC</td><td>±0.2</td></tr> <tr><td>2 PLC</td><td>±0.2</td></tr> <tr><td>3 PLC</td><td>±0.2</td></tr> <tr><td>4 PLC</td><td>±0.2</td></tr> <tr><td>ANGLES</td><td>±</td></tr> </table>		0 PLC	±0.3	1 PLC	±0.2	2 PLC	±0.2	3 PLC	±0.2	4 PLC	±0.2	ANGLES	±	PRODUCT SPEC 108-115175		4.3-10 STR PLUG TO 4.3-10 RA PLUG WITH 1/2 SUPERFLEX CABLE	
0 PLC	±0.3																
1 PLC	±0.2																
2 PLC	±0.2																
3 PLC	±0.2																
4 PLC	±0.2																
ANGLES	±																
MATERIAL SEE TABLE		APPLICATION SPEC -		SIZE A3	RESTRICTED TO -												
FINISH SEE TABLE		WEIGHT 228g		CAGE CODE 00779	DRAWING NO C-2081976												
-		CUSTOMER DRAWING		SCALE 1:1	SHEET 2 OF 2												
-		-		REV A													

## X-ON Electronics

Largest Supplier of Electrical and Electronic Components

*Click to view similar products for [RF Cable Assemblies](#) category:*

*Click to view products by [TE Connectivity](#) manufacturer:*

Other Similar products are found below :

[73-6352-10](#) [73-6353-3](#) [73-6364-6](#) [R285001001](#) [R288940004](#) [145111-05-12.00](#) [1661-C-24](#) [1801171170914KE](#) [24P104C24J1-012](#)  
[24P104C24P1-006](#) [24P104C24P1-018](#) [24P204C24J1-003](#) [172-2150-EX](#) [1800920920914PJ](#) [FCB-3030-ALT](#) [21117-046](#) [21117-050](#) [PCX-24-](#)  
[50](#) [24P103C24P2-003](#) [25P203C25P2-003](#) [PTWY-24-78](#) [R284008001](#) [R285001021](#) [R285426000](#) [R288940003](#) [R288940008](#) [RF179-74BJ3-](#)  
[77RP1-0305](#) [4814-BB-24](#) [5260-72](#) [JT2N1-CL1-1F](#) [DLP-COAX1](#) [4814-K-48](#) [115101-09-06.00](#) [MXHT83QE3000](#) [CCNTN2-MM-LL335-26](#)  
[73-6351-25](#) [73-6352-3](#) [73-6353-25](#) [1800920920610PJ](#) [GD0BQ0BQ024.0](#) [1-3636-600-5210](#) [TL8A-11SMA-11SMA-01500-51](#)  
[R284C0351060](#) [R288940009](#) [R284C0351028](#) [R288940002](#) [9702-1SL-1](#) [PT82NSMA](#) [73-6353-10](#) [R285020301W](#)