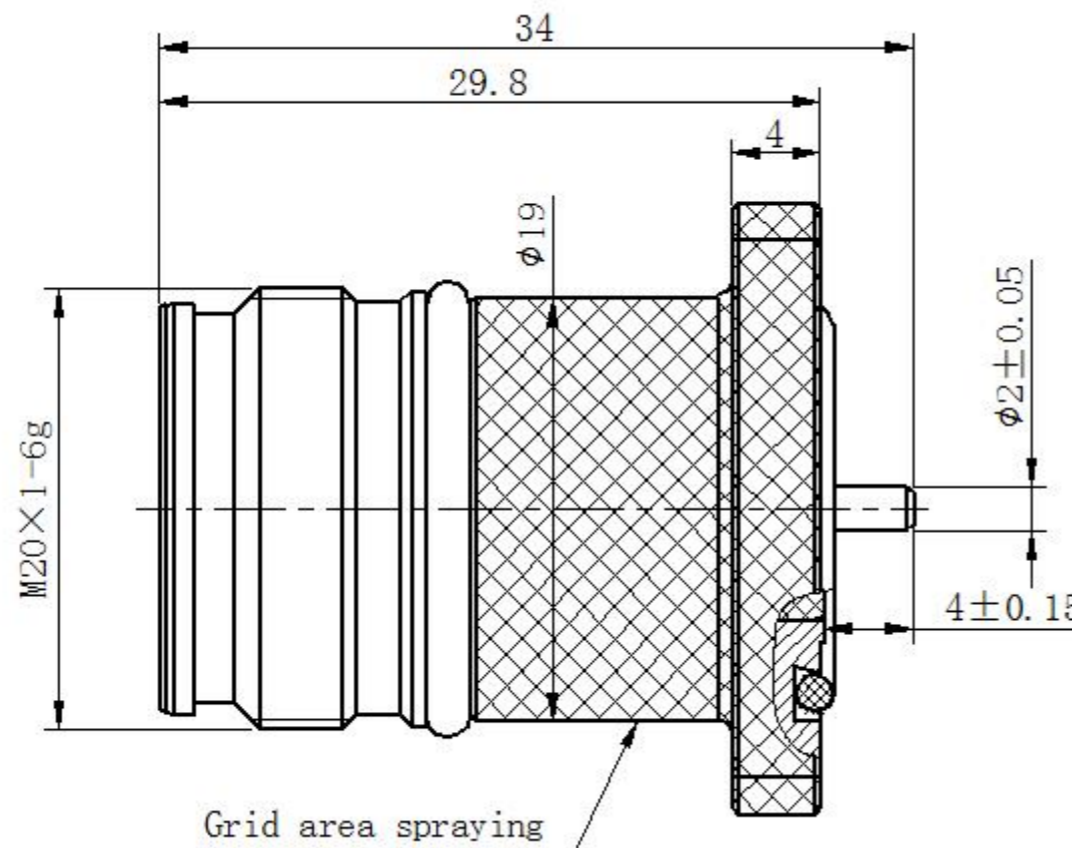
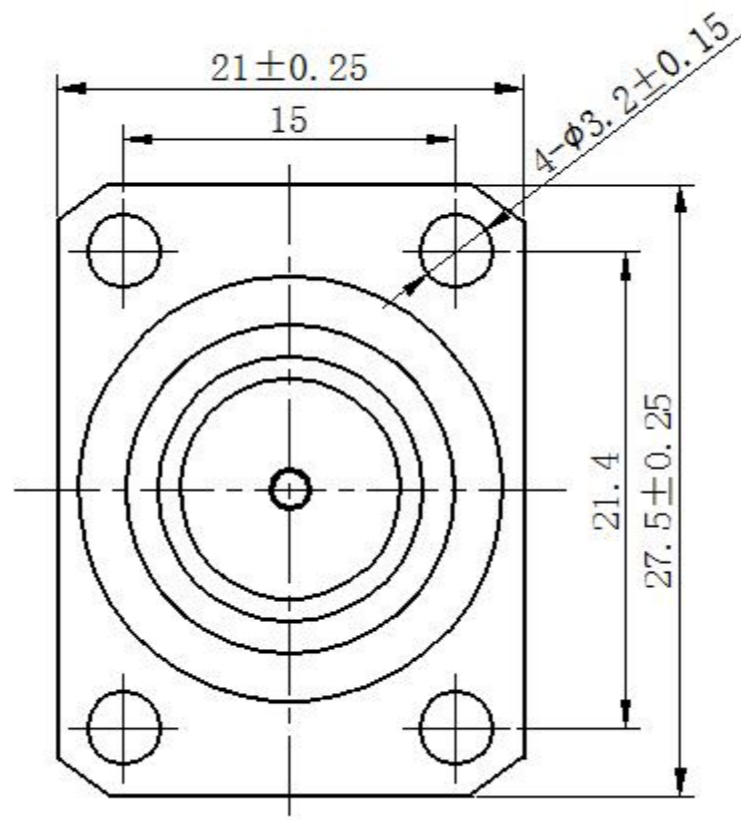


ELECTRICAL	
IMPEDANCE	50 Ohm
FREQUENCY RANGE	DC to 6GHz
INSERTION LOSS:	Max. 0.08dB@0-3GHz Max. 0.22dB@0-3GHz
VSWR:	Max. 1.15@0-3GHz Max. 1.35@3-6GHz
DIELECTRIC WITHSTAND VOLTAGE:	Max. 2500 V RMS
INSULATION RESISTANCE	Min. 5000 Mohms
PIM3:	Max. -163dBc @2x20W, 900MHz, 1800MHz, 2100MHz

MECHANICAL	
MATING CYCLES:	MIN. 100 cycles
RECOMMEND TORQUE:	5Nm

ENVIRONMENTAL	
TEMPERATURE RANGE:	-40°~+85°C
SALT SPRAY:	96H (720H FOR SPRAY AREA)
INTERFACE SEAL:	IP68(1m, 24h) MATED
PANEL SEAL:	IP67(1m, 0.5h)
HERMETIC SEAL:	PRESSURE LEAKAGE 0.25KPa MAX. (52.3KPa/30s)

P	LTR	DESCRIPTION	DATE	DWN	APVD



NOTE:

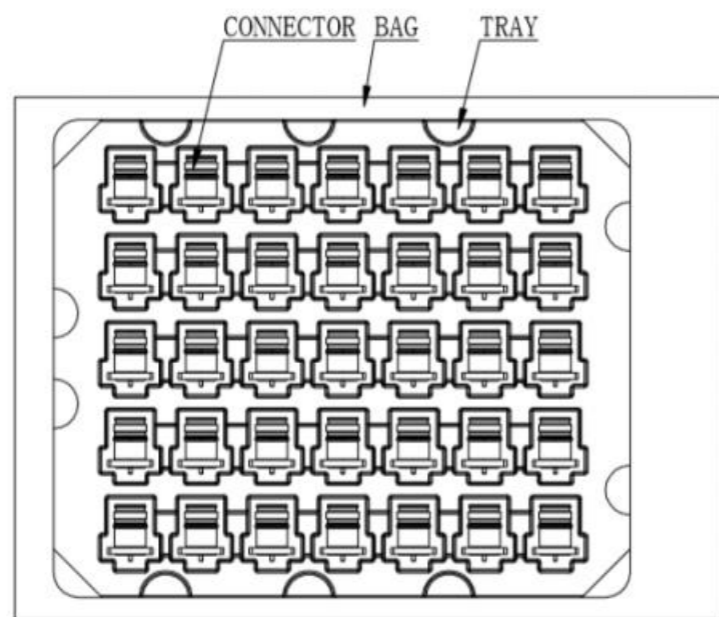
1. INTERFACE ACCORDING TO IEC 61169-54

P/N	PART NAME	MATERIAL	PLATING
2081977-1	CENTER CONTACT	BRONZE	SILVER
	OUTER CONTACT	BRONZE	SILVER
	BODY	BRASS	WHITE BRONZE
	INSULATOR	PTFE	
	O-RING	SILICONE RUBBER	

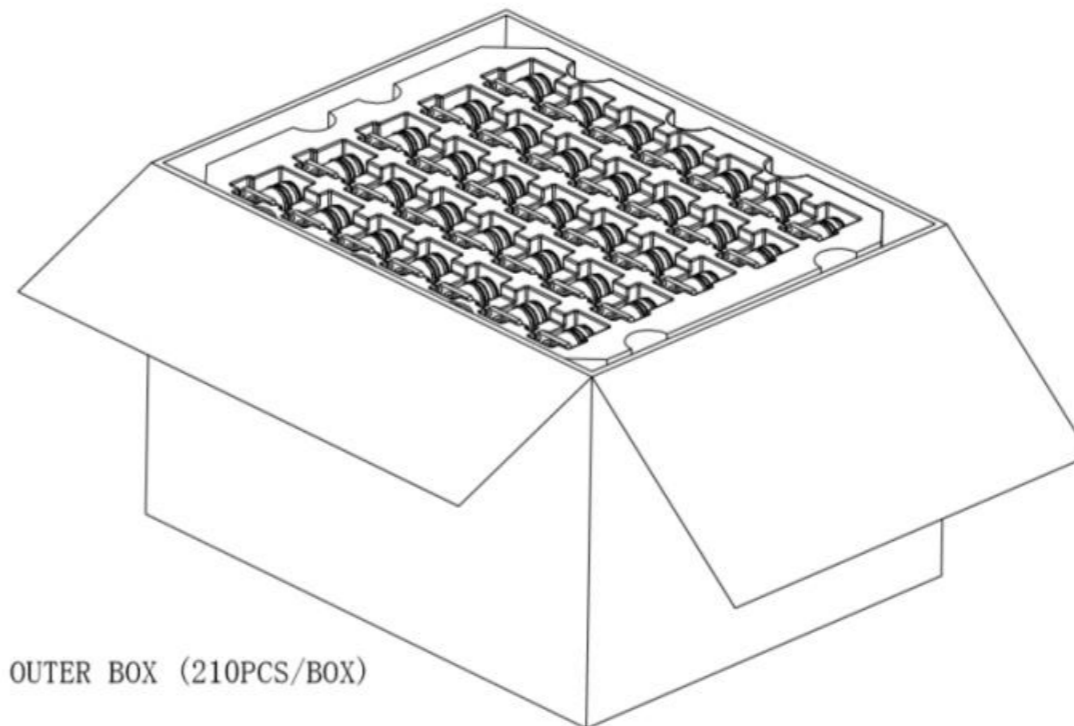
THIS DRAWING IS A CONTROLLED DOCUMENT.		DWN	JZ	10MAR2020	TE TE Connectivity													
DIMENSIONS: mm		CHK	RZ	10MAR2020														
TOLERANCES UNLESS OTHERWISE SPECIFIED:		APVD	RS	10MAR2020														
<table border="0"> <tr><td>0 PLC</td><td>±0.3</td></tr> <tr><td>1 PLC</td><td>±0.2</td></tr> <tr><td>2 PLC</td><td>±0.2</td></tr> <tr><td>3 PLC</td><td>±0.2</td></tr> <tr><td>4 PLC</td><td>±0.2</td></tr> <tr><td>ANGLES</td><td>±</td></tr> </table>		0 PLC	±0.3	1 PLC		±0.2	2 PLC	±0.2	3 PLC	±0.2	4 PLC	±0.2	ANGLES	±	PRODUCT SPEC	108-115175		NAME
0 PLC	±0.3																	
1 PLC	±0.2																	
2 PLC	±0.2																	
3 PLC	±0.2																	
4 PLC	±0.2																	
ANGLES	±																	
MATERIAL	SEE TABLE	FINISH	SEE TABLE	APPLICATION SPEC	-	SIZE	A3	CAGE CODE	00779	DRAWING NO	©=2081977	RESTRICTED TO	-					
-		-		WEIGHT	48.5g	SCALE	1:1	SHEET	1 OF 2	REV	A	CUSTOMER DRAWING						

REVISIONS

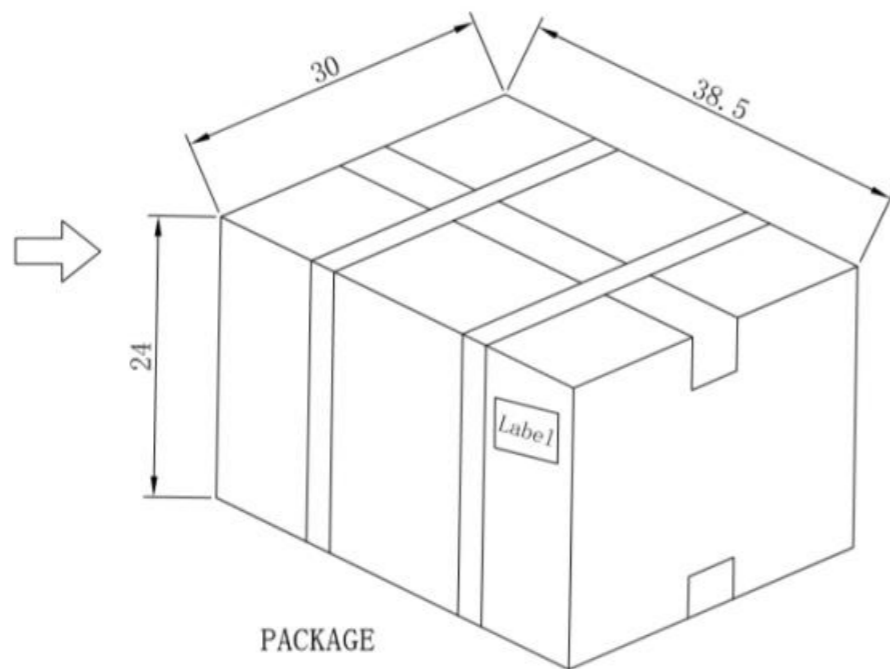
P	LTR	DESCRIPTION	DATE	DWN	APVD



TRAY PACKAGE



OUTER BOX (210PCS/BOX)



PACKAGE

(BOX SIZE ONLY FOR REFERENCE, UNIT: CM)

THIS DRAWING IS A CONTROLLED DOCUMENT.		DWN JZ	10MAR2020														
DIMENSIONS: mm		CHK RZ	10MAR2020														
TOLERANCES UNLESS OTHERWISE SPECIFIED:		APVD RS	10MAR2020	NAME 4.3-10 STRAIGHT JACK RECEPTACLE 4 HOLES SQUARE FLANGE, SPRAY WITH O-RING													
		PRODUCT SPEC 108-115175		RESTRICTED TO													
<table border="1"> <tr><td>0 PLC</td><td>±0.3</td></tr> <tr><td>1 PLC</td><td>±0.2</td></tr> <tr><td>2 PLC</td><td>±0.2</td></tr> <tr><td>3 PLC</td><td>±0.2</td></tr> <tr><td>4 PLC</td><td>±0.2</td></tr> <tr><td>ANGLES</td><td>±</td></tr> </table>		0 PLC	±0.3	1 PLC	±0.2	2 PLC	±0.2	3 PLC	±0.2	4 PLC	±0.2	ANGLES	±	APPLICATION SPEC -		SIZE A3	CAGE CODE 00779
0 PLC	±0.3																
1 PLC	±0.2																
2 PLC	±0.2																
3 PLC	±0.2																
4 PLC	±0.2																
ANGLES	±																
MATERIAL SEE TABLE		WEIGHT 48.5g		DRAWING NO C-2081977													
FINISH SEE TABLE		CUSTOMER DRAWING		SCALE 1:1	SHEET 2 OF 2												
-		-		REV A													

X-ON Electronics

Largest Supplier of Electrical and Electronic Components

Click to view similar products for [RF Connectors](#) / [Coaxial Connectors](#) category:

Click to view products by [TE Connectivity](#) manufacturer:

Other Similar products are found below :

[8915-1511-000](#) [89674-0827](#) [6001-7071-019](#) [6002-7051-003](#) [6002-7551-202](#) [6059674-1](#) [619550-1](#) [630059-000](#) [M39030/3-01N](#) [6500-7071-046](#) [6769](#) [CX050L2AQ](#) [7002-1542-011](#) [7004-1512-000](#) [7009-1511-004](#) [7010-1511-000](#) [7029-1511-060](#) [7101-1541-010](#) [7101-1571-002](#) [7105-1521-002](#) [7145-1521-002](#) [7203-1571-003](#) [7209-1511-011](#) [7210-1511-015](#) [7210-1511-019](#) [73137-5015](#) [73216-2241](#) [73404-2300](#) [7405-1521-005](#) [7405-1521-802](#) [8527](#) [8547](#) [FS11V](#) [877931](#) [9049-9513-000](#) [9074-9513-000](#) [9101-9573-002](#) [910A205F](#) [9130-9573-002](#) [PL11SC-026](#) [PL375-33](#) [PL40-5](#) [PL74C-221](#) [PL75MC-217](#) [PL803-7](#) [1200690078](#) [1-201144-1](#) [R107003010W](#) [R110A172100](#) [R112186000](#)