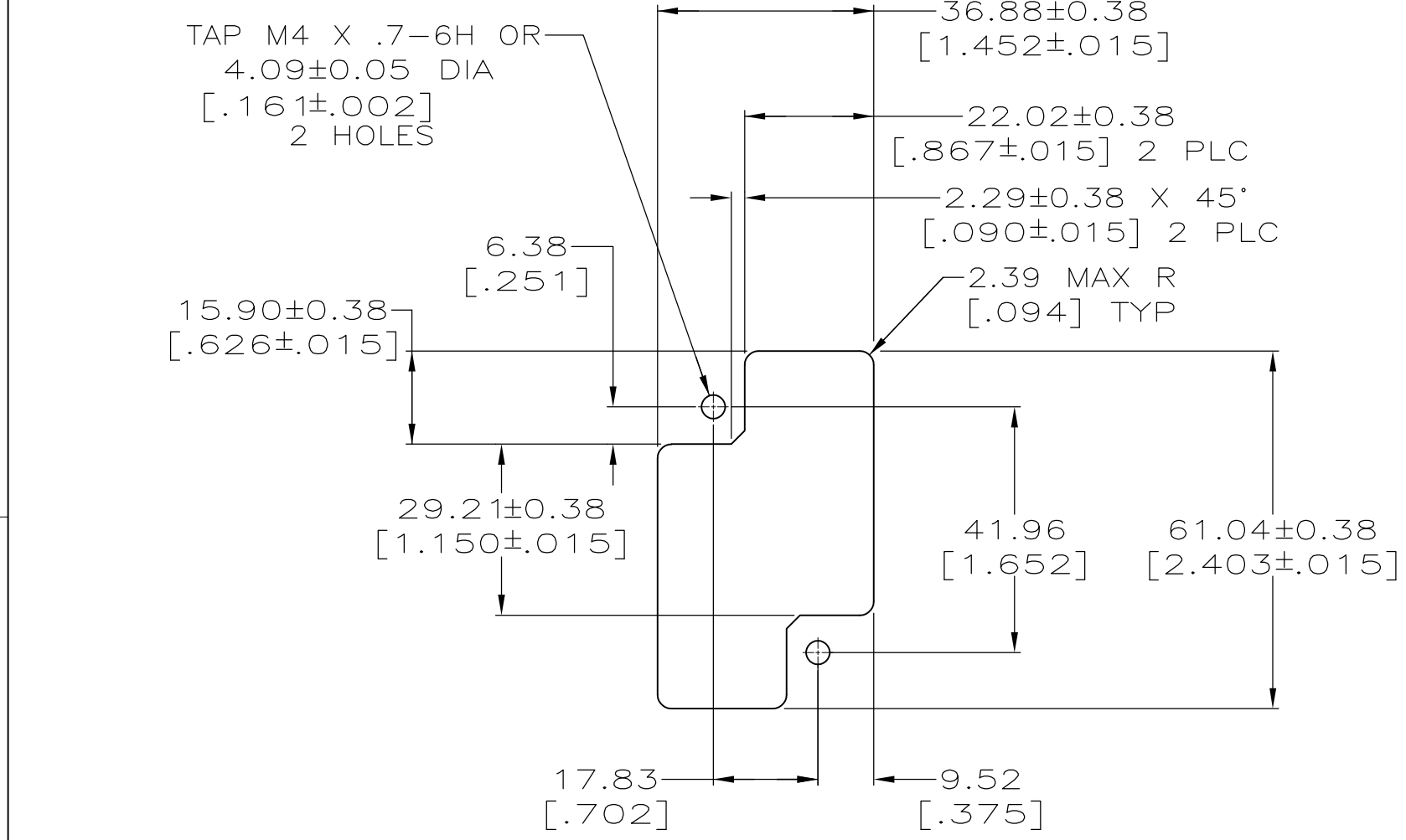


- 208210 MATES WITH 208209.
- MOUNTING SCREW INFORMATION SEE 208211.
- 208210-1 WILL BE MOLDED WITH AMP PART NUMBER 208210-2 SINCE IT IS AN INK STAMPED VERSION OF 208210-2.



SUGGESTED
PANEL CUTOUT

208210-5	-	POLYESTER, BLUE	208210-5
208210-2	-	POLYESTER, BLACK	208210-2
208210-2	△ 113P10188	POLYESTER, BLACK	208210-1
MOLDED PART NO	CUST IDENT	MATERIAL	PART NO

THIS DRAWING IS A CONTROLLED DOCUMENT.		DWN R. SHIREY 09/05/91	STE TE Connectivity	
DIMENSIONS: MM[INCHES]		CHK R. STONE 09/23/91		
TOLERANCES UNLESS OTHERWISE SPECIFIED:		APVD A. TRAVIS 09/23/91	NAME	
0 PLC ± -	1 PLC ± -	PRODUCT SPEC	SOCKET HOUSING, 19 POSN, METRIMATE	
2 PLC ± 0.13 [.005]	3 PLC ± -	APPLICATION SPEC	RESTRICTED TO	
4 PLC ± -	ANGLES ± 1°	114-10039	SIZE	CAGE CODE
MATERIAL SEE TABLE	FINISH -	WEIGHT -	A2	00779
CUSTOMER DRAWING			DRAWING NO	REV
			SCALE 1:1	SHEET 1 of 1

X-ON Electronics

Largest Supplier of Electrical and Electronic Components

Click to view similar products for [Headers & Wire Housings](#) category:

Click to view products by [TE Connectivity](#) manufacturer:

Other Similar products are found below :

[892-18-020-10-001101](#) [58102-G61-06LF](#) [582553-1](#) [0009485154](#) [009176003701906](#) [0050291907](#) [LY20-4P-DT1-P1E-BR](#) [02.125.8002.8](#)
[609-3404](#) [61062-3](#) [61082-181009](#) [622-3653LF](#) [63453-116](#) [636-1030](#) [636-1427](#) [636-3427](#) [636-4007](#) [641938-9](#) [641991-4](#) [644827-2](#) [65817-010LF](#) [65817-015LF](#) [65863-015LF](#) [66207-023LF](#) [67095-007LF](#) [67601157](#) [68645-018](#) [68648-049](#) [70.362.1628.0](#) [70-4210](#) [70-4226B](#) [70-4853B](#) [707-5020](#) [707-5028](#) [71.350.2428.0](#) [71918-208LF](#) [71961-016LF](#) [733-134](#) [733-162](#) [754199-000](#) [760-3052](#) [787-8014-00](#) [79531-3000](#)
[FCN-360C032-B](#) [FCN-367T-T012/H](#) [FCN-723D010/2](#) [80.063.4001.1](#) [800-90-001-10-001000](#) [800-90-010-10-002000](#) [801-43-002-10-013000](#)