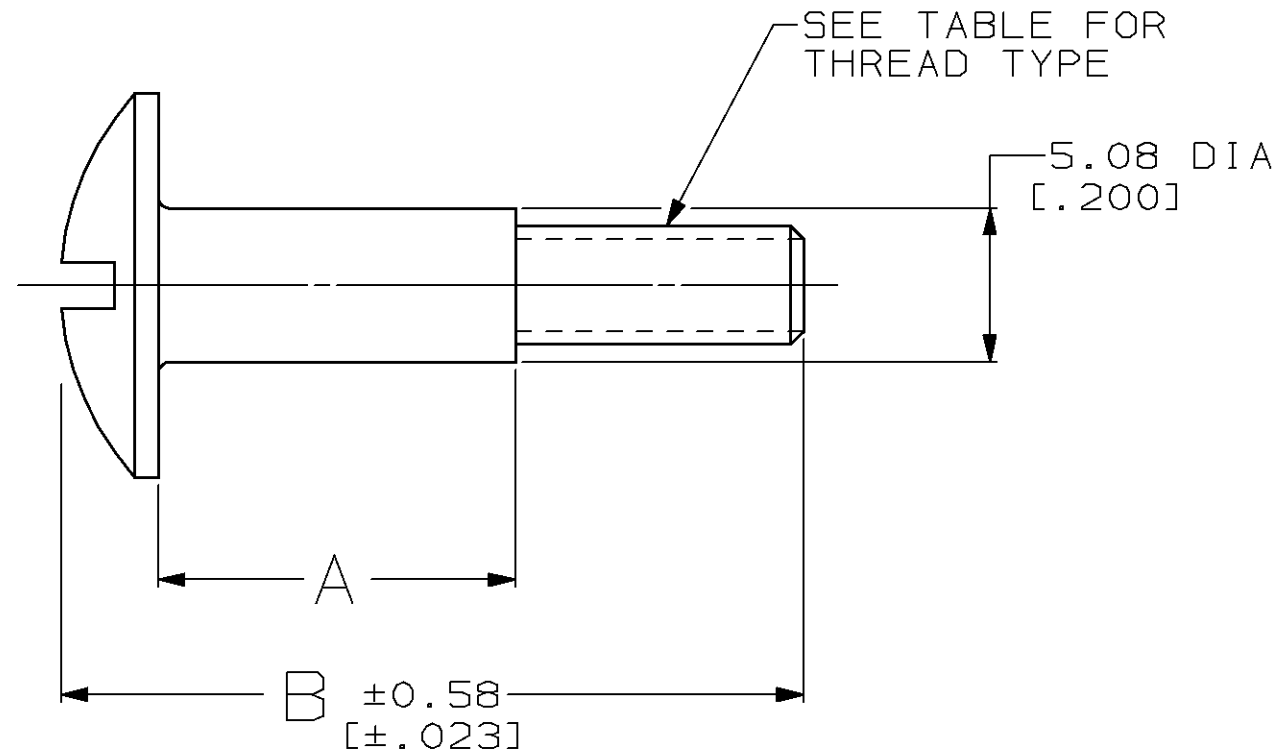
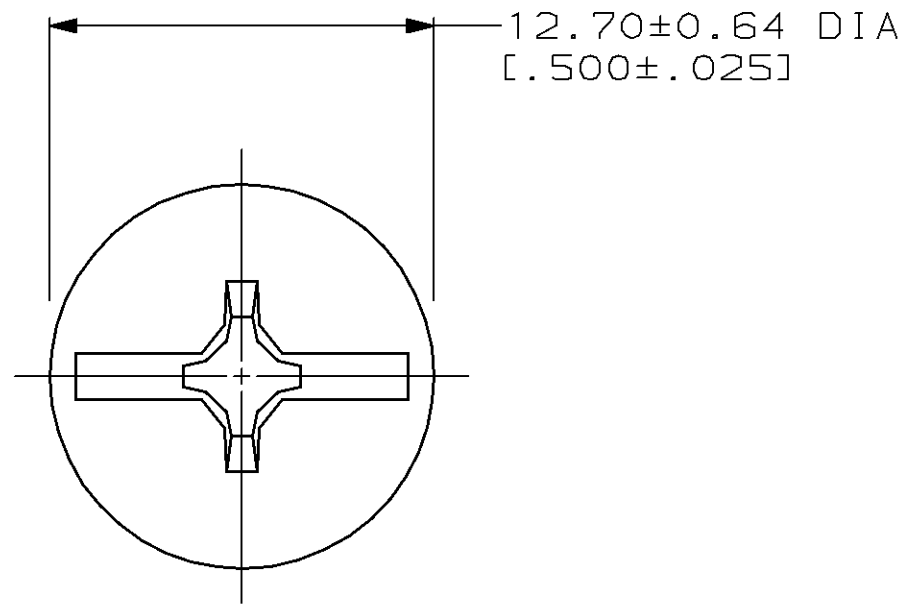


THIS DRAWING IS UNPUBLISHED. RELEASED FOR PUBLICATION, 19 .
 © COPYRIGHT 19 BY AMP INCORPORATED. ALL INTERNATIONAL RIGHTS RESERVED.

LOC	DIST	P	F	ZONE	LTR	DESCRIPTION	DATE	APPD
FT	13				L	OBSOLETE -2 PER EC 0020-596-96	08 JAN 97	MM
					M	REV PER EC 0320-0364-97	27 APR 98	MM



	34.29 [1.350]	21.69 [.854]	SAE 6/32	208211-6
	24.54 [.966]	11.81 [.465]	SAE 6/32	208211-4
	34.29 [1.350]	21.69 [.854]	M4 x 0.7-6g	208211-3
OBSOLETE	34.29 [1.350]	21.69 [.854]	SELF TAPPING	208211-2
	24.54 [.966]	11.81 [.465]	M4 x 0.7-6g	208211-1

B	A	THREAD	PART NO
DO NOT SCALE PRINT. UNLESS SPECIFIED DIMENSIONS IN mm [INCHES] TOLERANCES ON: 2 PLC DEC ± 0.13 [.005] 3 PLC DEC ± - ANGLES ± -		DR 02/24/92 L.SIPE	AMP AMP Incorporated Harrisburg, PA 17105-3608
MATERIAL STAINLESS STEEL		CHK 3-1-92 J. McCLINTON	
FINISH -		APPD 3-1-92 A. TRAVIS	NAME SCREW, SHOULDER, SPECIAL, METRIMATE
		APPD 3-2-92 C. ROHDE	SIZE B CAGE CODE 00779 DRAWING NO 208211
		PRODUCT SPEC -	SCALE 4:1 SHEET 1 OF 1
		APPLICATION SPEC -	
		WEIGHT -	

X-ON Electronics

Largest Supplier of Electrical and Electronic Components

Click to view similar products for [Headers & Wire Housings](#) category:

Click to view products by [TE Connectivity](#) manufacturer:

Other Similar products are found below :

[892-18-020-10-001101](#) [58102-G61-06LF](#) [582553-1](#) [0009485154](#) [009176003701906](#) [0050291907](#) [LY20-4P-DT1-P1E-BR](#) [02.125.8002.8](#)
[609-3404](#) [61062-3](#) [61082-181009](#) [622-3653LF](#) [63453-116](#) [636-1030](#) [636-1427](#) [636-3427](#) [636-4007](#) [641938-9](#) [641991-4](#) [644827-2](#) [65817-](#)
[010LF](#) [65817-015LF](#) [65863-015LF](#) [66207-023LF](#) [67095-007LF](#) [67601157](#) [68645-018](#) [68648-049](#) [70.362.1628.0](#) [70-4210](#) [70-4226B](#) [70-](#)
[4853B](#) [707-5020](#) [707-5028](#) [71.350.2428.0](#) [71918-208LF](#) [71961-016LF](#) [733-134](#) [733-162](#) [754199-000](#) [760-3052](#) [787-8014-00](#) [79531-3000](#)
[FCN-360C032-B](#) [FCN-367T-T012/H](#) [FCN-723D010/2](#) [80.063.4001.1](#) [800-90-001-10-001000](#) [800-90-010-10-002000](#) [801-43-002-10-013000](#)