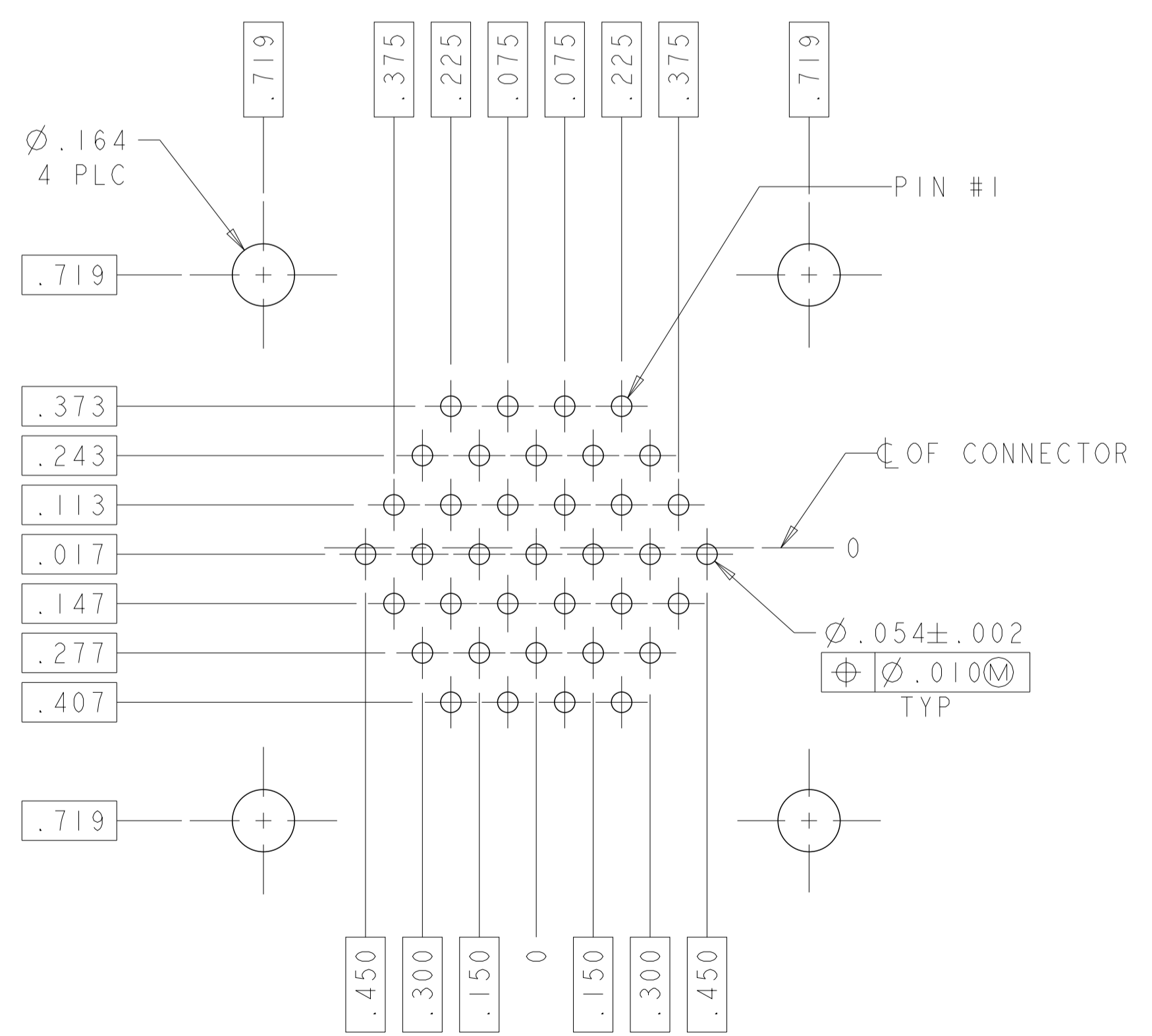
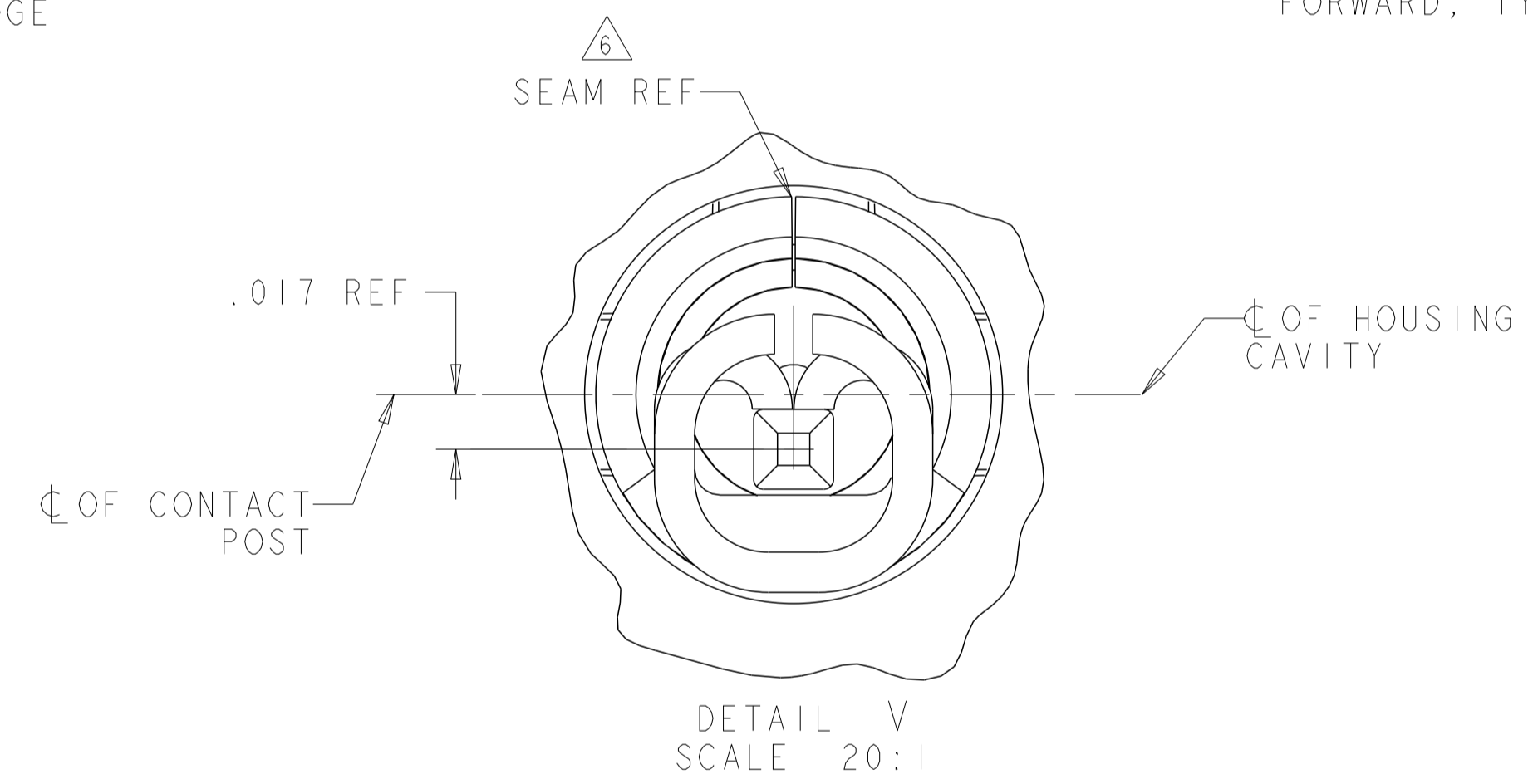
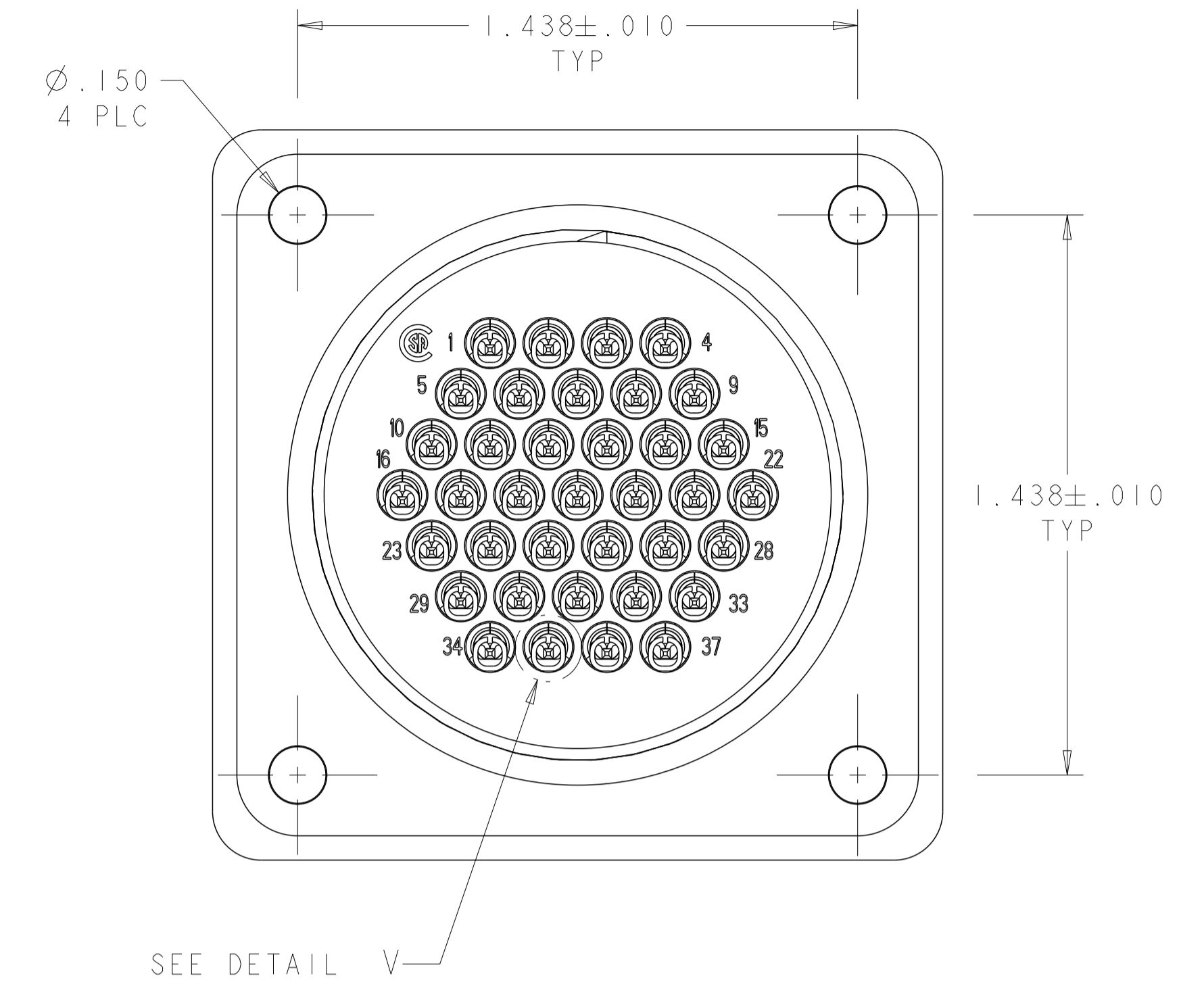
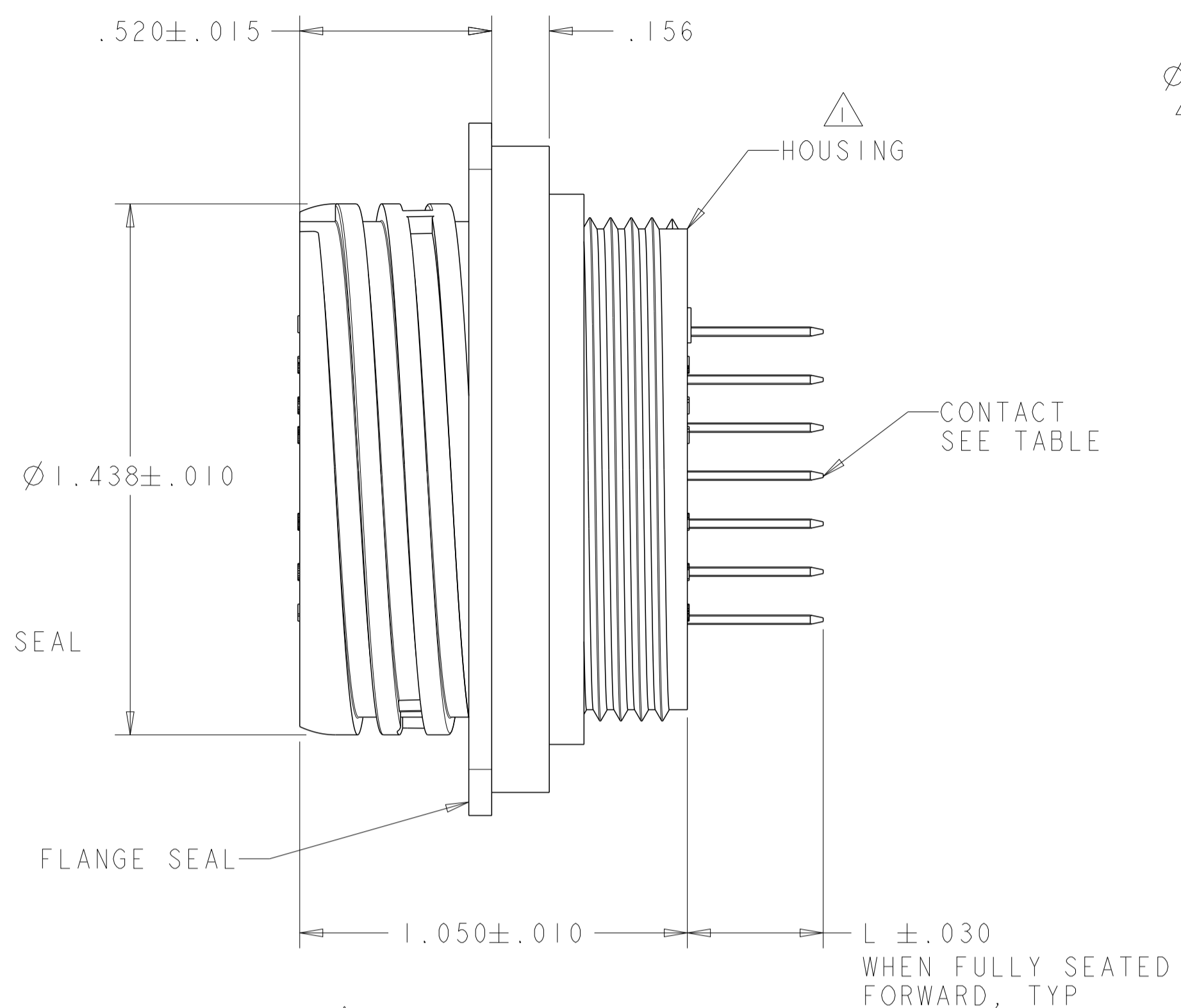
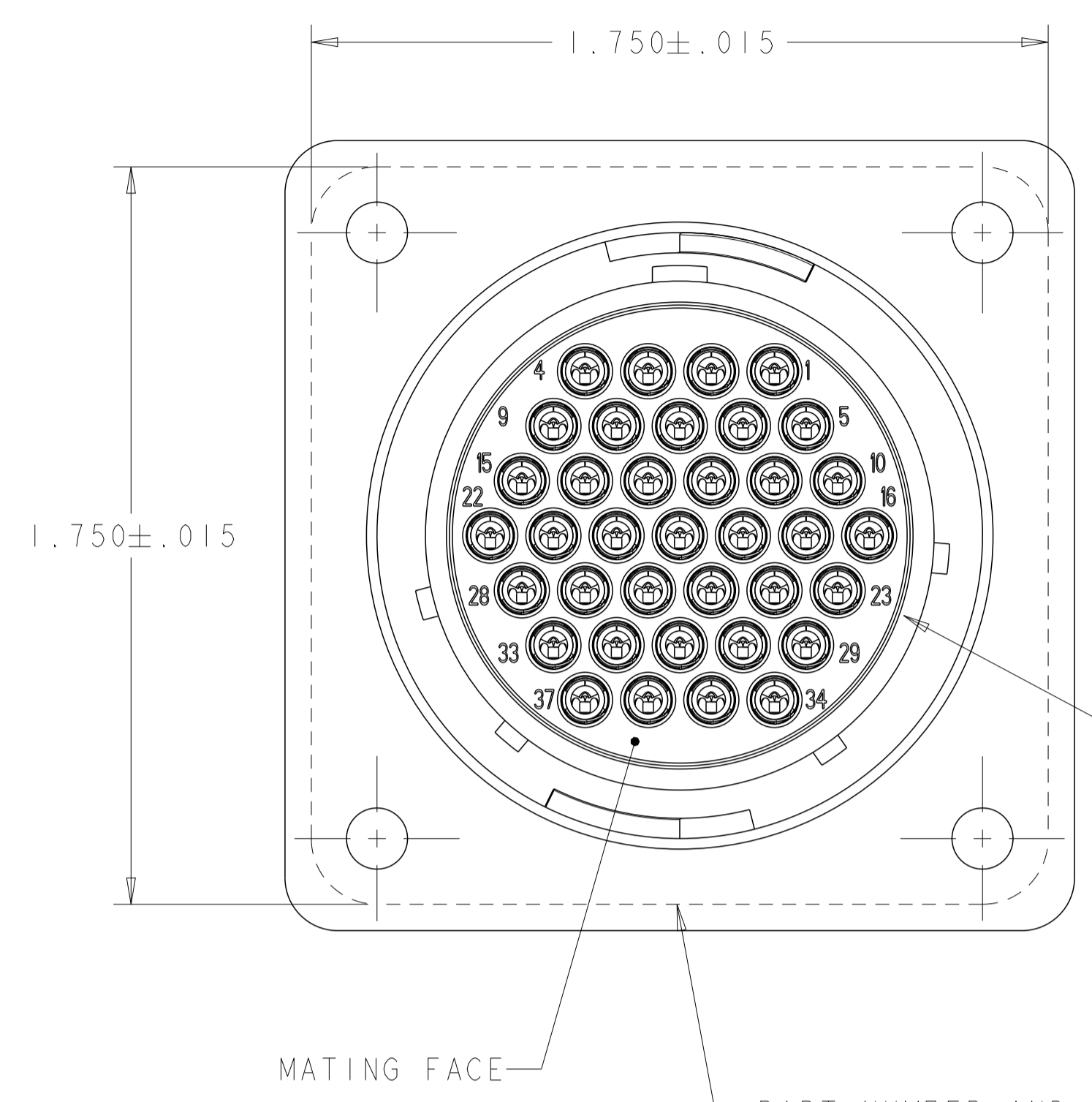


REVISIONS					
P	LTN	DESCRIPTION	DATE	DWN	APVD
AF	3	REVISED PER ECO-16-004800	07SEP2016	NK	MZ
AG		REVISED PER ECO-17-004657	05APR2017	RS	MZ
AH		REVISED PER ECO-19-011232	08AUG2019	RS	MZ



- ① HOUSING: THERMOPLASTIC, COLOR: BLACK.
- ② PERIPHERAL SEAL: ELASTOMER, COLOR: BLACK.
- ③ CONTACT:
BODY - BRASS, .000030 MIN GOLD FOR A LENGTH OF .200 MIN FROM MATING END, GOLD FLASH ON REMAINDER, BOTH OVER .000050 MIN NICKEL.
POST - BRASS, .000100 MIN TIN-LEAD OVER .000100 MIN COPPER.
- ④ CONTACT:
BODY - BRASS, .000100 MIN TIN-LEAD OVER .000050 MIN NICKEL.
POST - BRASS, .000100 MIN TIN-LEAD OVER .000100 MIN COPPER.
- ⑤ CONTACT:
BODY - BRASS, .000100 MIN TIN OVER .000050 MIN NICKEL.
POST - BRASS, .000100 MIN TIN OVER .000050 MIN NICKEL.
- ⑥ .009 MAXIMUM CONTACT LEAD-IN SEAM GAP PERMISSIBLE ON MATING FACE END.
- ⑦ CONTACT:
BODY - BRASS, .000030 MIN GOLD FOR A LENGTH OF .200 MIN FROM MATING END, GOLD FLASH ON REMAINDER, BOTH OVER .000050 MIN NICKEL.
POST - BRASS, .000100 MIN TIN OVER .000100 MIN COPPER.
- ⑧ CONTACT:
BODY - BRASS, .000100 MIN TIN OVER .000050 MIN NICKEL.
POST - BRASS, .000100 MIN TIN OVER .000100 MIN COPPER.
- ⑨ FLANGE SEAL: ELASTOMER, COLOR: BLACK.

NO	NO	.547	⑦	ALL	2-208224-9	
OBSOLETE	NO	NO	.490	⑦	ALL	2-208224-8
	YES	YES	.368	⑦	1-17, 19-37	2-208224-5
	NO	NO	.557	③	1-9, 11-31, 33-37	2-208224-4
	NO	YES	.557	③	ALL	2-208224-3
	NO	NO	.368	①	ALL	2-208224-2
	NO	NO	.557	⑦	ALL	2-208224-1
	NO	YES	.368	⑧	1-10, 12-29, 31-37	+208224-8
	NO	YES	.368	⑧	4, 8, 10, 23, 31, 34-36	+208224-7
	NO	YES	.368	⑧	1-10, 12-29, 31-37	+208224-6
OBSOLETE	NO	YES	.368	⑤	1-22, 24-37	+208224-5
	NO	NO	.368	⑤	ALL	+208224-3
	NO	YES	.368	⑤	1-10, 12-29, 31-37	+208224-2
	NO	YES	.368	⑤	1-22, 24-37	+208224-1
OBSOLETE	NO	YES	.368	④	1-10, 12-29, 31-37	1-208224-0
	NO	NO	.368	③	ALL	208224-9
	NO	YES	.368	④	1-22, 24-37	208224-5
OBSOLETE	NO	YES	.368	④	4, 8, 10, 23, 31, 34-36	208224-4
	NO	YES	.368	④	1-10, 12-29, 31-37	208224-3
	NO	NO	.368	④	ALL	208224-2
	NO	NO	.557	③	ALL	208224-1

THIS DRAWING IS A CONTROLLED DOCUMENT. DWN S. WELDON 26FEB2003
CHK S. WELDON 26FEB2003
S. HEADER
APVD S. HEADER 26FEB2003

TE Connectivity

RECEPTACLE ASSEMBLY, POSTED, REVERSE SEX, SERIES 1, 23-37, CPC

SCALE 3:1 SHEET 1 OF 1 REV AH

X-ON Electronics

Largest Supplier of Electrical and Electronic Components

Click to view similar products for [Standard Circular Connector](#) category:

Click to view products by [TE Connectivity](#) manufacturer:

Other Similar products are found below :

[5M2530B10P](#) [600259N006](#) [600273N007](#) [6134-336-13149](#) [6134-337-11149](#) [6134-337-2390](#) [6134-341-17149](#) [6280-4SG-516](#) [6280-7SG-3DC](#)
[6290](#) [6291A](#) [66200A-10](#) [680-SMG](#) [681-PMG](#) [CXS3102A14S2P](#) [CXS3102A181S](#) [7271-6SG-300](#) [7282-3PG-300-CH3](#) [75-474014-05S](#) [75-](#)
[474618-01S](#) [75-474618-04P](#) [75-474618-04S](#) [799539-000](#) [MI8-SE](#) [805-005-07NF11-19PC](#) [805-005-07NF15-7PA](#) [8280-4PG-516](#) [8280-7PG-](#)
[519](#) [8282-5PG-519](#) [836783-1](#) [MP-4102-25P-C](#) [862256-1](#) [864019-2](#) [866857-1](#) [867865-1](#) [PT01SP-14-18P](#) [PT08P-14-5S](#) [120-1833-000](#)
[QCM019PC2DC012B](#) [1-2069279-1](#) [121583-0217](#) [121667-0020](#) [129591AU](#) [1000B BULK](#) [RD10A16-19-P6CS051/1](#) [RD10A20-31-](#)
[P8CS051/1](#) [RD16A14-12-S6CS051/2](#) [1301240290](#) [1301240347](#) [1301860202](#) [1301240268](#)