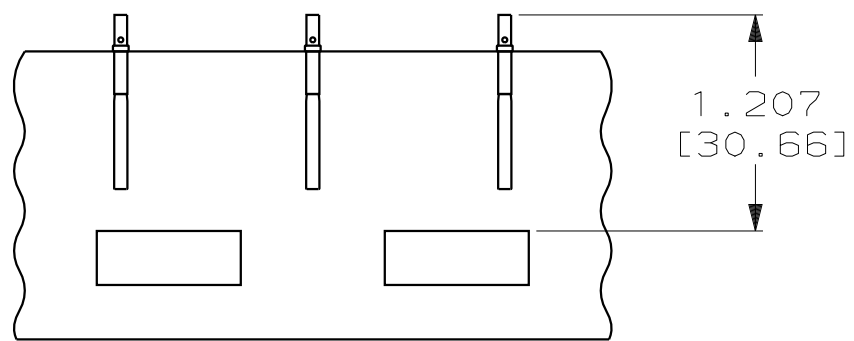
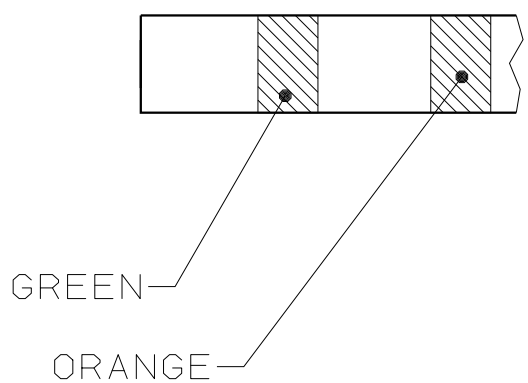


THIS DRAWING IS UNPUBLISHED. RELEASED FOR PUBLICATION, 19 .  
 © COPYRIGHT 19 BY AMP INCORPORATED. ALL INTERNATIONAL RIGHTS RESERVED.

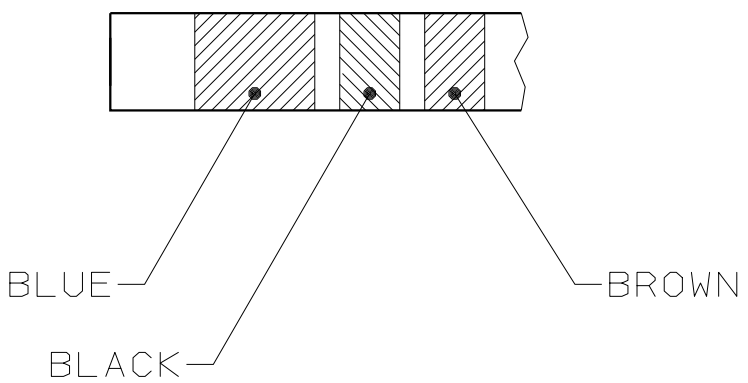
LOC	DIST	P	F	ZONE	LTR	DESCRIPTION	DATE	APPD
DF	AO				K	REV PER OH14-0154-04	CT	12-8-04 SG
					L	REV PER OH14-0271-04	CT	12-8-04 SG



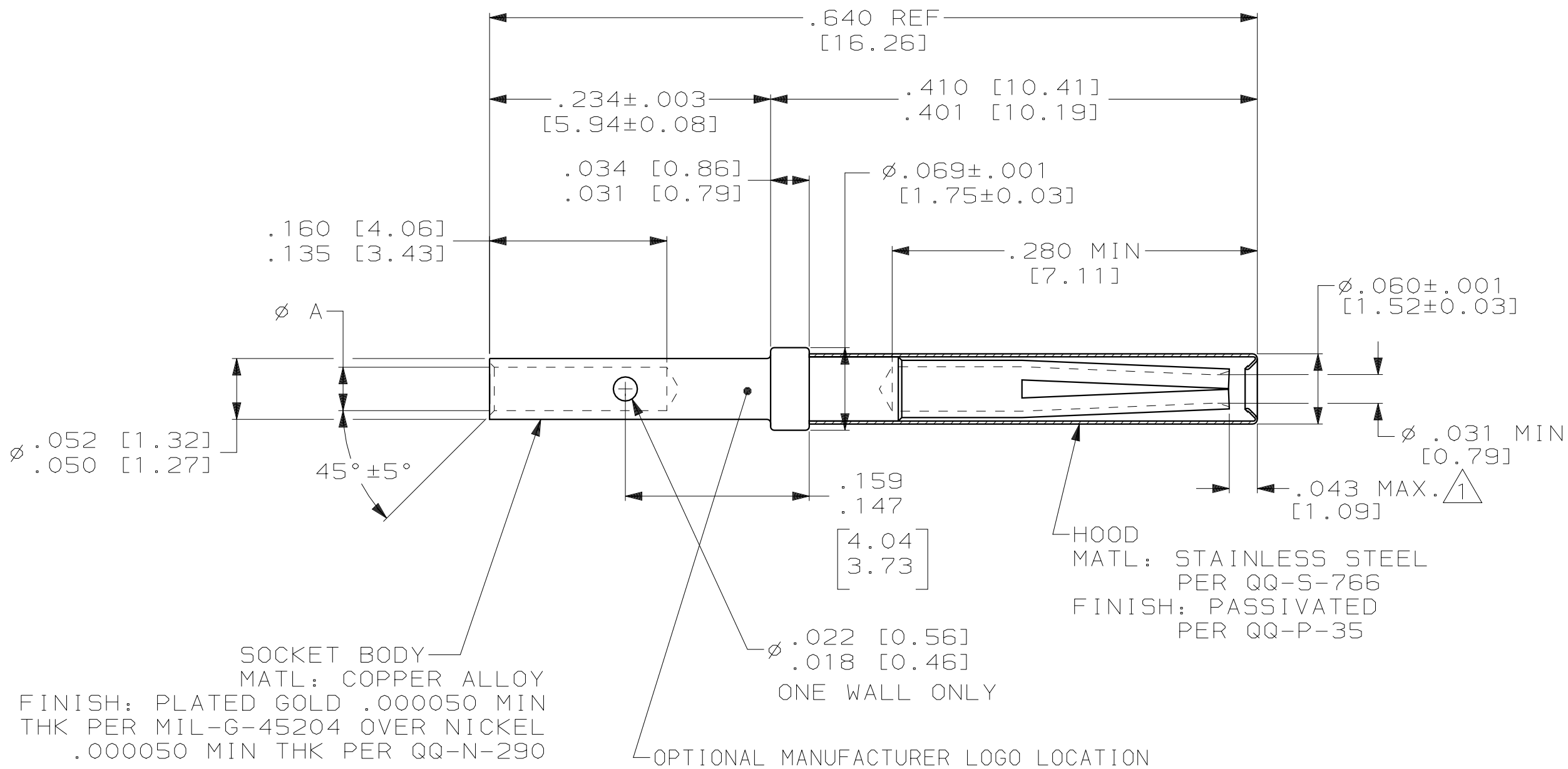
TAPE MOUNTED ASSEMBLY  
 SCALE 1:1  
 ( 208264-3 ONLY )  
 DETAIL A



COLOR CODE  
 ( -2 & -3 ONLY )  
 DETAIL B



COLOR CODE  
 ( -4 ONLY )  
 DETAIL C



▲ ELECTRICAL ENGAGEMENT.

.023-.025 [0.58-0.64]	-	-	208264-6
.034-.0370 [0.864-0.940]	-	SEE DETAIL C	208264-4
.034-.0370 [0.864-0.940]	SEE DETAIL A	SEE DETAIL B	208264-3
.034-.0370 [0.864-0.940]	-	SEE DETAIL B	208264-2
DIM A	TAPE MOUNTED	COLOR CODE	PART NO.

DO NOT SCALE PRINT. UNLESS SPECIFIED DIMENSIONS IN INCHES [mm] TOLERANCES ON : 2 PLC DEC ± - 3 PLC DEC ± .005 [0.13] ANGLES ± -	DR 5-8-91 C.C.THOMAS	AMP Incorporated Harrisburg, PA 17105-3608		
	CHK 7-25-91 A.SHARPE			NAME
MATERIAL SEE CALLOUTS	APPD 7-25-91 A.SHARPE	ASSY, CONTACT, SOCKET, SIZE 22, ARINC 600		
FINISH SEE CALLOUTS	APPD 7-25-91 C.THOMAS			
	PRODUCT SPEC	SIZE	CAGE CODE	DRAWING NO
	APPLICATION SPEC	©	00779	208264
	WEIGHT -	SCALE 10:1		SHEET 1 OF 1

208264

A

C

D

D

C

B

A

## X-ON Electronics

Largest Supplier of Electrical and Electronic Components

*Click to view similar products for [Rack & Panel Connectors](#) category:*

*Click to view products by [TE Connectivity](#) manufacturer:*

Other Similar products are found below :

[00171410002](#) [00171420202](#) [00171440002](#) [02-014-013-5200-000](#) [613467-000](#) [CTJ112E01E-513](#) [CTJ116E03A-513](#) [66020-2](#) [CW8958-000](#)  
[699886-000](#) [D250-50632](#) [70.400.3240.0](#) [70.955.2453.3](#) [733753-000](#) [F22831-000](#) [780-522-DPX34RG8-02](#) [8660-501](#) [87.060.0053.0](#)  
[900709N001](#) [928358-1](#) [D-659-0061](#) [1-445717-6](#) [1484469-2](#) [1604997-2](#) [MTC100-BF1-P31CS015](#) [MTC100-KT2-0083](#) [MTC100-KT2-0123-](#)  
[003](#) [MTC100-YA1-005](#) [MTCQKT1R2PGCA](#) [MTCR-103-04S](#) [MTCX1X-100-100CS025](#) [1738331-1](#) [1757667-1](#) [1811481-1](#) [1883433-1](#)  
[201046-7](#) [202648-4](#) [205269-1](#) [213364-1](#) [226503-000](#) [937028-164](#) [1663130-2](#) [172305-4](#) [AC-660022-701BP](#) [F36711-000](#) [202355-2](#) [202356-](#)  
[2](#) [G16S-A](#) [G20S-AB](#) [CHA-0017-003](#)