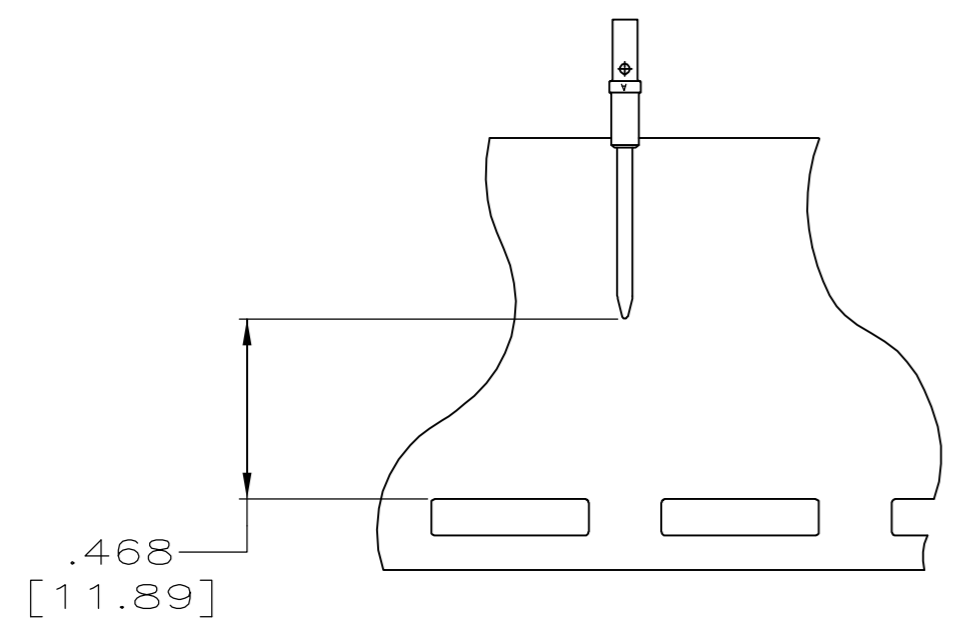
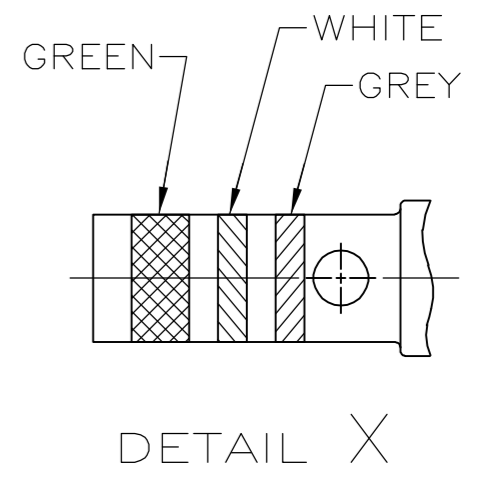
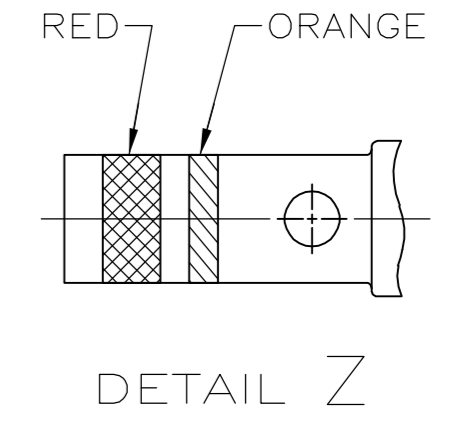
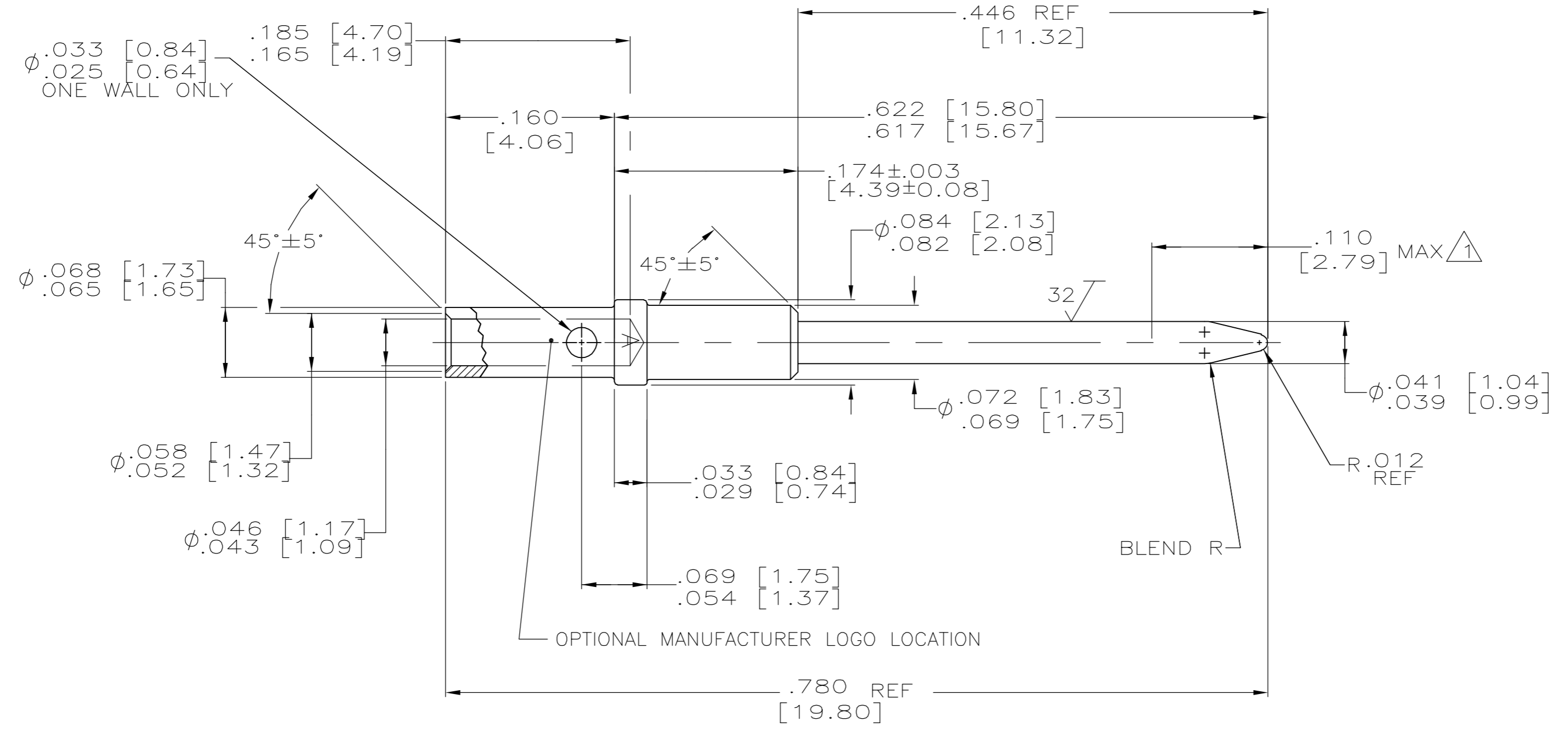


THIS DRAWING IS UNPUBLISHED. RELEASED FOR PUBLICATION  
 © COPYRIGHT BY TYCO ELECTRONICS CORPORATION. ALL RIGHTS RESERVED.

LOC	DIST	REVISIONS					
DF	A0	P	LTR	DESCRIPTION	DATE	DWN	APVD
		H		REV PER EC OH14-0154-04	23JAN06	TK	CT

- ① ELECTRICAL ENGAGEMENT POINT
- ② AS SHOWN
- ③ SAME AS -2 EXCEPT:  
COLOR CODE PER DETAIL Z
- ④ SAME AS -2 EXCEPT:  
COLOR CODE PER DETAIL X



TAPE MT'D ASS'Y  
 (-3 ONLY)  
 SCALE 2:1

OBSOLETE	④	208265-5
	-	208265-4
	③	208265-3
	②	208265-2
DESCRIPTION		PART NUMBER

THIS DRAWING IS A CONTROLLED DOCUMENT.		DWN	J.A.Baker	02-11-99	 Tyco Electronics Corporation Harrisburg, PA 17105-3608
DIMENSIONS: INCHES		CHK	S.GLATFELTER	-	
TOLERANCES UNLESS OTHERWISE SPECIFIED:		APVD	S.GLATFELTER	-	NAME
0 PLC	± -	PRODUCT SPEC	PIN CONTACT, SIZE 20 ARINC 600 TYPE		
1 PLC	± -	APPLICATION SPEC	SIZE		
2 PLC	± -		CAGE CODE	DRAWING NO	RESTRICTED TO
3 PLC	± .005 [0.13]		A2	00779	C=208265
4 PLC	± - 2'		SCALE 10:1 SHEET 1 OF 1 REV H		
ANGLES	± 2'		CUSTOMER DRAWING		
MATERIAL	FINISH	WEIGHT			
LEADED COPPER	GOLD PER MIL-G-45204 OVER NICKEL PER QQ-N-290	-			

## X-ON Electronics

Largest Supplier of Electrical and Electronic Components

*Click to view similar products for [Rack & Panel Connectors](#) category:*

*Click to view products by [TE Connectivity](#) manufacturer:*

Other Similar products are found below :

[00171410002](#) [00171420202](#) [00171440002](#) [02-014-013-5200-000](#) [613467-000](#) [CTJ112E01E-513](#) [CTJ116E03A-513](#) [66020-2](#) [CW8958-000](#)  
[699886-000](#) [D250-50632](#) [70.400.3240.0](#) [70.955.2453.3](#) [733753-000](#) [F22831-000](#) [780-522-DPX34RG8-02](#) [8660-501](#) [87.060.0053.0](#)  
[900709N001](#) [928358-1](#) [D-659-0061](#) [1-445717-6](#) [1484469-2](#) [1604997-2](#) [MTC100-BF1-P31CS015](#) [MTC100-KT2-0083](#) [MTC100-KT2-0123-](#)  
[003](#) [MTC100-YA1-005](#) [MTCQKT1R2PGCA](#) [MTCR-103-04S](#) [MTCX1X-100-100CS025](#) [1738331-1](#) [1757667-1](#) [1811481-1](#) [1883433-1](#)  
[201046-7](#) [202648-4](#) [205269-1](#) [213364-1](#) [226503-000](#) [937028-164](#) [1663130-2](#) [172305-4](#) [AC-660022-701BP](#) [F36711-000](#) [202355-2](#) [202356-](#)  
[2](#) [G16S-A](#) [G20S-AB](#) [CHA-0017-003](#)