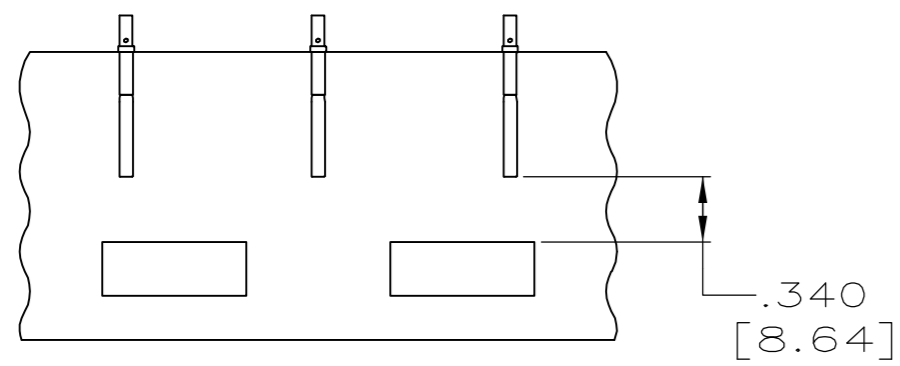


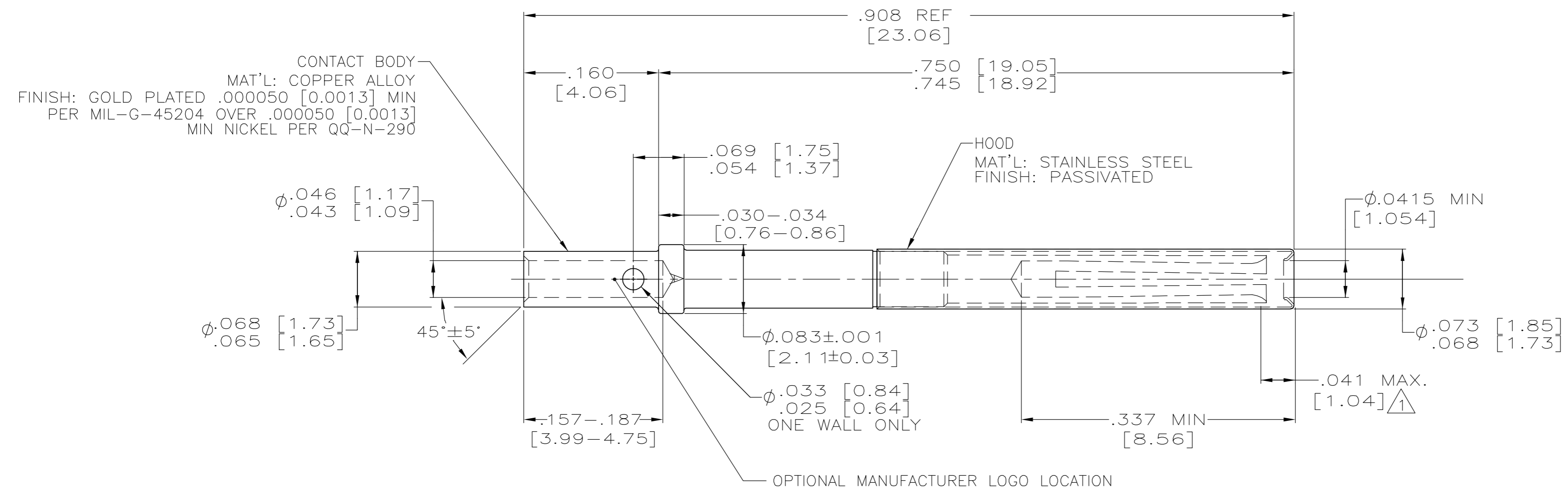
THIS DRAWING IS UNPUBLISHED. RELEASED FOR PUBLICATION  
 © COPYRIGHT BY TYCO ELECTRONICS CORPORATION. ALL RIGHTS RESERVED.

LOC	DIST	REVISIONS					
DF	A0	P	LTR	DESCRIPTION	DATE	DWN	APVD
		F		REV PER EC 0H14-0154-04	23JAN06	TK	CT



DETAIL A  
 SCALE 1:1  
 TAPE MOUNTED  
 (-3 ONLY)

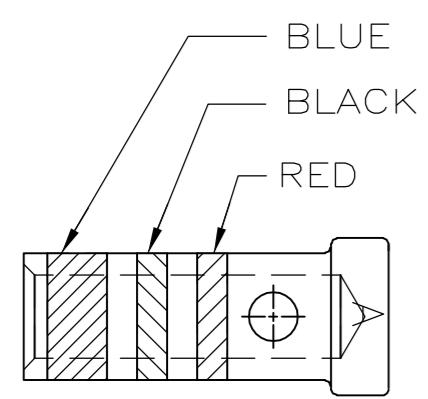
ELECTRICAL ENGAGEMENT POINT.



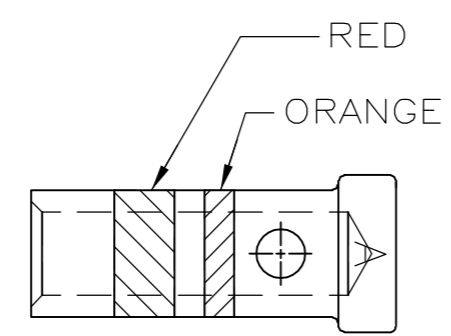
CONTACT BODY  
 MAT'L: COPPER ALLOY  
 FINISH: GOLD PLATED .000050 [0.0013] MIN  
 PER MIL-G-45204 OVER .000050 [0.0013]  
 MIN NICKEL PER QQ-N-290

HOOD  
 MAT'L: STAINLESS STEEL  
 FINISH: PASSIVATED

OPTIONAL MANUFACTURER LOGO LOCATION



DETAIL C  
 -4 ONLY



DETAIL B  
 -2 & -3 ONLY

SEE DETAIL C	208267-4
SEE DETAIL A & B	208267-3
SEE DETAIL B	208267-2
DESCRIPTION	PART NO.

THIS DRAWING IS A CONTROLLED DOCUMENT.		DWN	C.C.THOMAS	12/21/00	Tyco Electronics Corporation Harrisburg, PA 17105-3608
DIMENSIONS: INCHES		CHK	S.GLATFELTER	1-10-01	
TOLERANCES UNLESS OTHERWISE SPECIFIED:		APVD	S.GLATFELTER	1-10-01	
0 PLC ± - 1 PLC ± - 2 PLC ± - 3 PLC ± .005 [0.13] 4 PLC ± - ANGLES ± -		NAME			
MATERIAL SEE CALLOUTS		FINISH SEE CALLOUTS		WEIGHT	-
		CUSTOMER DRAWING		SCALE	10:1
		SHEET		1 of 1	REV
		REV		F	

## X-ON Electronics

Largest Supplier of Electrical and Electronic Components

*Click to view similar products for [Rack & Panel Connectors](#) category:*

*Click to view products by [TE Connectivity](#) manufacturer:*

Other Similar products are found below :

[00171410002](#) [00171420202](#) [00171440002](#) [02-014-013-5200-000](#) [613467-000](#) [CTJ112E01E-513](#) [CTJ116E03A-513](#) [66020-2](#) [CW8958-000](#)  
[699886-000](#) [D250-50632](#) [70.400.3240.0](#) [70.955.2453.3](#) [733753-000](#) [F22831-000](#) [780-522-DPX34RG8-02](#) [8660-501](#) [87.060.0053.0](#)  
[900709N001](#) [928358-1](#) [D-659-0061](#) [1-445717-6](#) [1484469-2](#) [1604997-2](#) [MTC100-BF1-P31CS015](#) [MTC100-KT2-0083](#) [MTC100-KT2-0123-](#)  
[003](#) [MTC100-YA1-005](#) [MTCQKT1R2PGCA](#) [MTCR-103-04S](#) [MTCX1X-100-100CS025](#) [1738331-1](#) [1757667-1](#) [1811481-1](#) [1883433-1](#)  
[201046-7](#) [202648-4](#) [213364-1](#) [226503-000](#) [937028-164](#) [1663130-2](#) [172305-4](#) [F36711-000](#) [202355-2](#) [202356-2](#) [G16S-A](#) [G20S-AB](#) [CHA-](#)  
[0017-003](#) [CHA-0296](#) [354654-000](#)