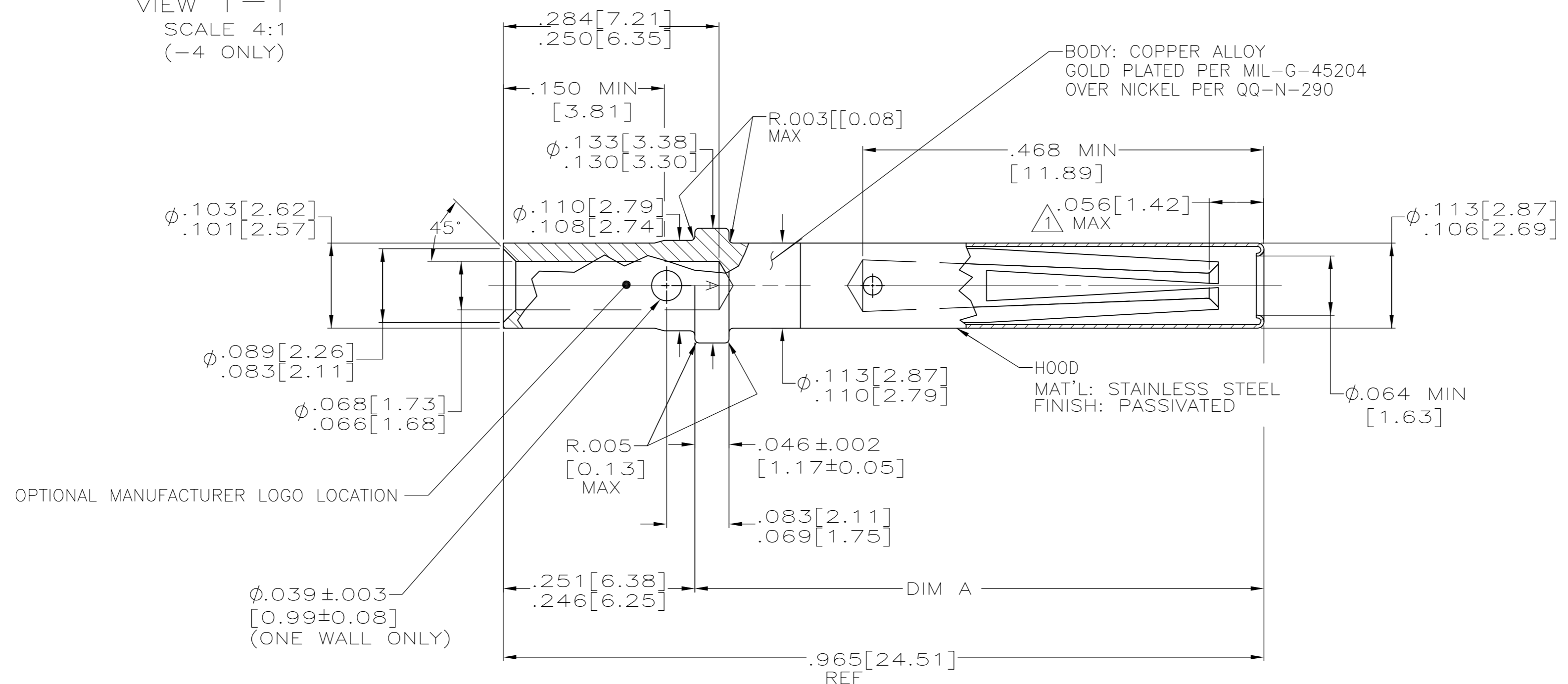
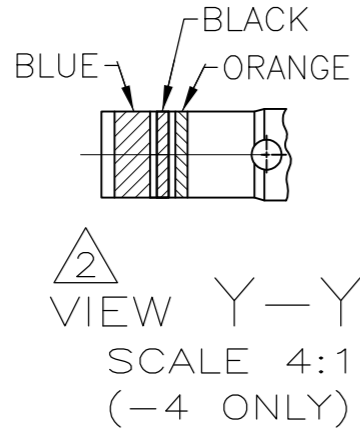
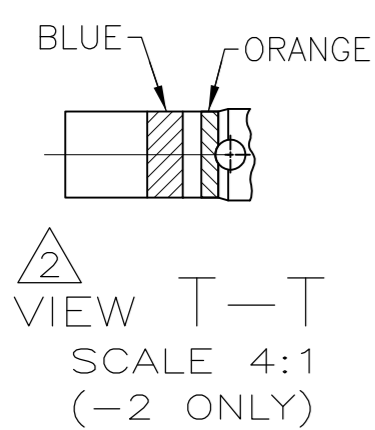


THIS DRAWING IS UNPUBLISHED. RELEASED FOR PUBLICATION
 © COPYRIGHT BY TYCO ELECTRONICS CORPORATION. ALL RIGHTS RESERVED.

LOC	DIST	REVISIONS					
DF	A0	P	LTR	DESCRIPTION	DATE	DWN	APVD
		J		REV PER ECO 07-018300	8-22-07	CT	KH



1 ELECTRICAL ENGAGEMENT POINT.

2 COLORS IN BIN CODE BAND MUST MEET EIA STD RS-359 OR USAS C83.1-1969 WITHIN THE EXTENDED LIMITS OF COLOR TOLERANCE NOTATIONS & COLOR CHIPS. LEFT BAND TO BE APPROX. TWICE THE WIDTH OF THE OTHER BANDS. FLAKING IN CRIMP AREA ACCEPTABLE PROVIDED COLOR BANDS ARE IDENTIFIABLE.

.714±.004 [18.14±0.10]	SEE VIEW Y-Y	208270-4
.718±.005 [18.24±0.13]	SEE VIEW T-T	208270-2
DIM A	COLOR CODE	PART NUMBER

THIS DRAWING IS A CONTROLLED DOCUMENT.		DWN	6-17-97	Tyco Electronics Corporation	
DIMENSIONS: INCHES [mm]		CHK	S.McINTIRE	Harrisburg, PA 17105-3608	
TOLERANCES UNLESS OTHERWISE SPECIFIED:		APVD	S.McINTIRE	NAME	
0 PLC ± -		PRODUCT SPEC		SOCKET CONTACT ASSY	
1 PLC ± -		APPLICATION SPEC		SIZE 16, ARINC 600 TYPE	
2 PLC ± -				SIZE	CAGE CODE
3 PLC ± .005 [0.13]				A2	00779
4 PLC ± - 2'				DRAWING NO	RESTRICTED TO
MATERIAL SEE CALLOUTS		WEIGHT	-	C=208270	-
FINISH SEE CALLOUTS		CUSTOMER DRAWING		SCALE	SHEET
				8:1	1 of 1
				REV	J

X-ON Electronics

Largest Supplier of Electrical and Electronic Components

Click to view similar products for [Rack & Panel Connectors](#) category:

Click to view products by [TE Connectivity](#) manufacturer:

Other Similar products are found below :

[00171410002](#) [00171420202](#) [00171440002](#) [02-014-013-5200-000](#) [613467-000](#) [CTJ112E01E-513](#) [CTJ116E03A-513](#) [66020-2](#) [CW8958-000](#)
[699886-000](#) [D250-50632](#) [70.400.3240.0](#) [70.955.2453.3](#) [733753-000](#) [F22831-000](#) [780-522-DPX34RG8-02](#) [8660-501](#) [87.060.0053.0](#)
[900709N001](#) [928358-1](#) [D-659-0061](#) [1-445717-6](#) [1484469-2](#) [1604997-2](#) [MTC100-BF1-P31CS015](#) [MTC100-KT2-0083](#) [MTC100-KT2-0123-](#)
[003](#) [MTC100-YA1-005](#) [MTCQKT1R2PGCA](#) [MTCR-103-04S](#) [MTCX1X-100-100CS025](#) [1738331-1](#) [1757667-1](#) [1811481-1](#) [1883433-1](#)
[201046-7](#) [202648-4](#) [213364-1](#) [226503-000](#) [937028-164](#) [1663130-2](#) [172305-4](#) [AC-660022-701BP](#) [F36711-000](#) [202355-2](#) [202356-2](#) [G16S-A](#)
[G20S-AB](#) [CHA-0017-003](#) [CHA-0296](#)