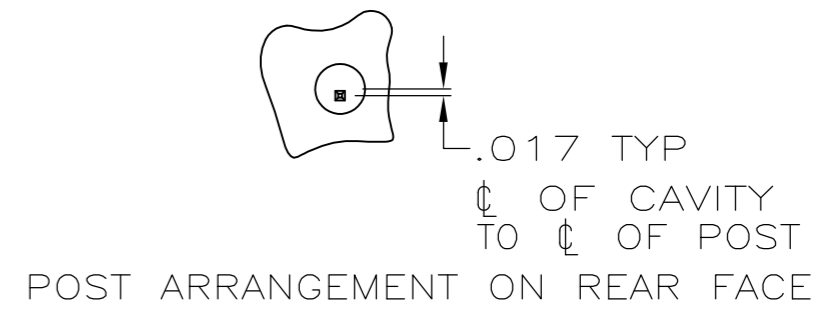
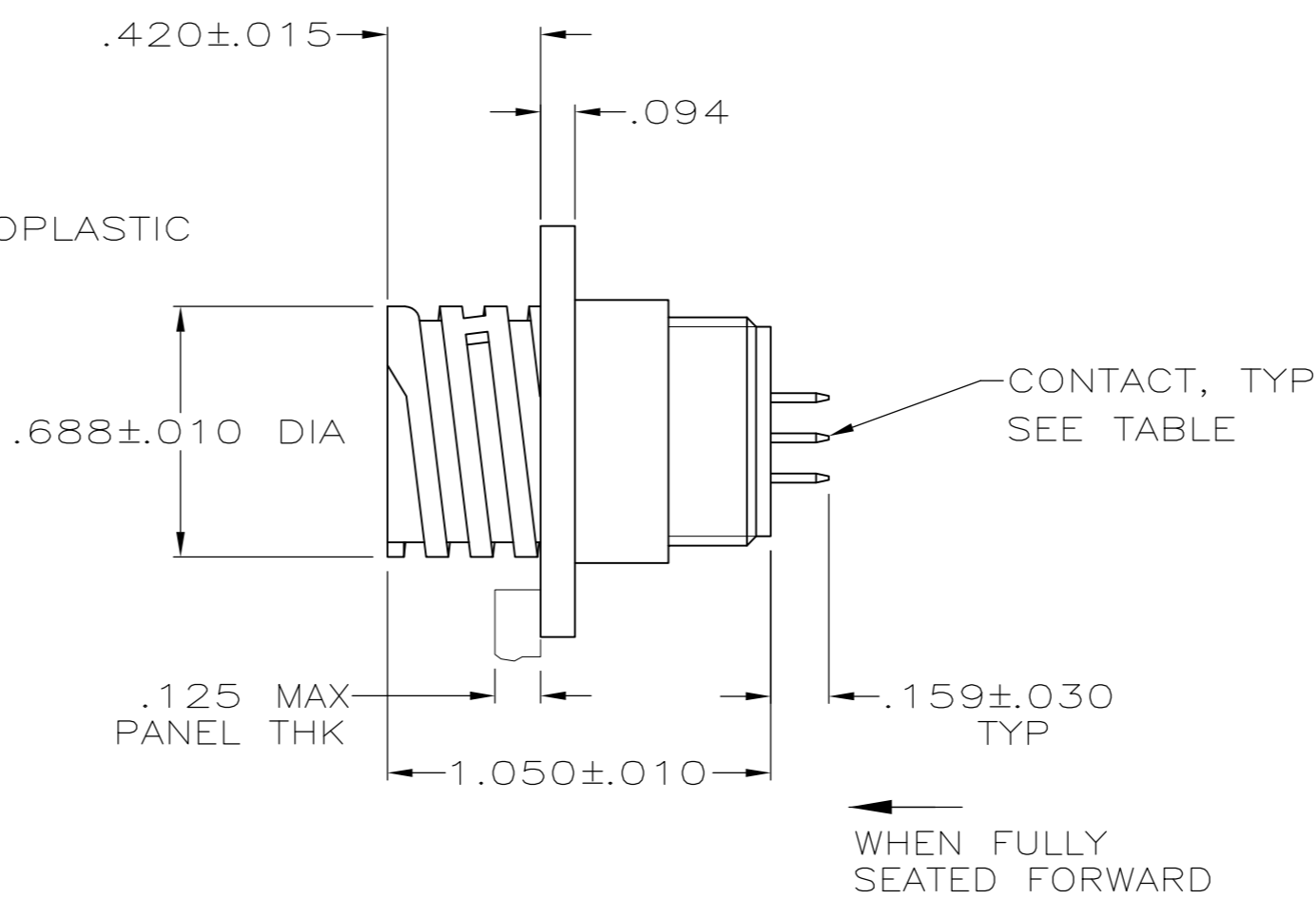
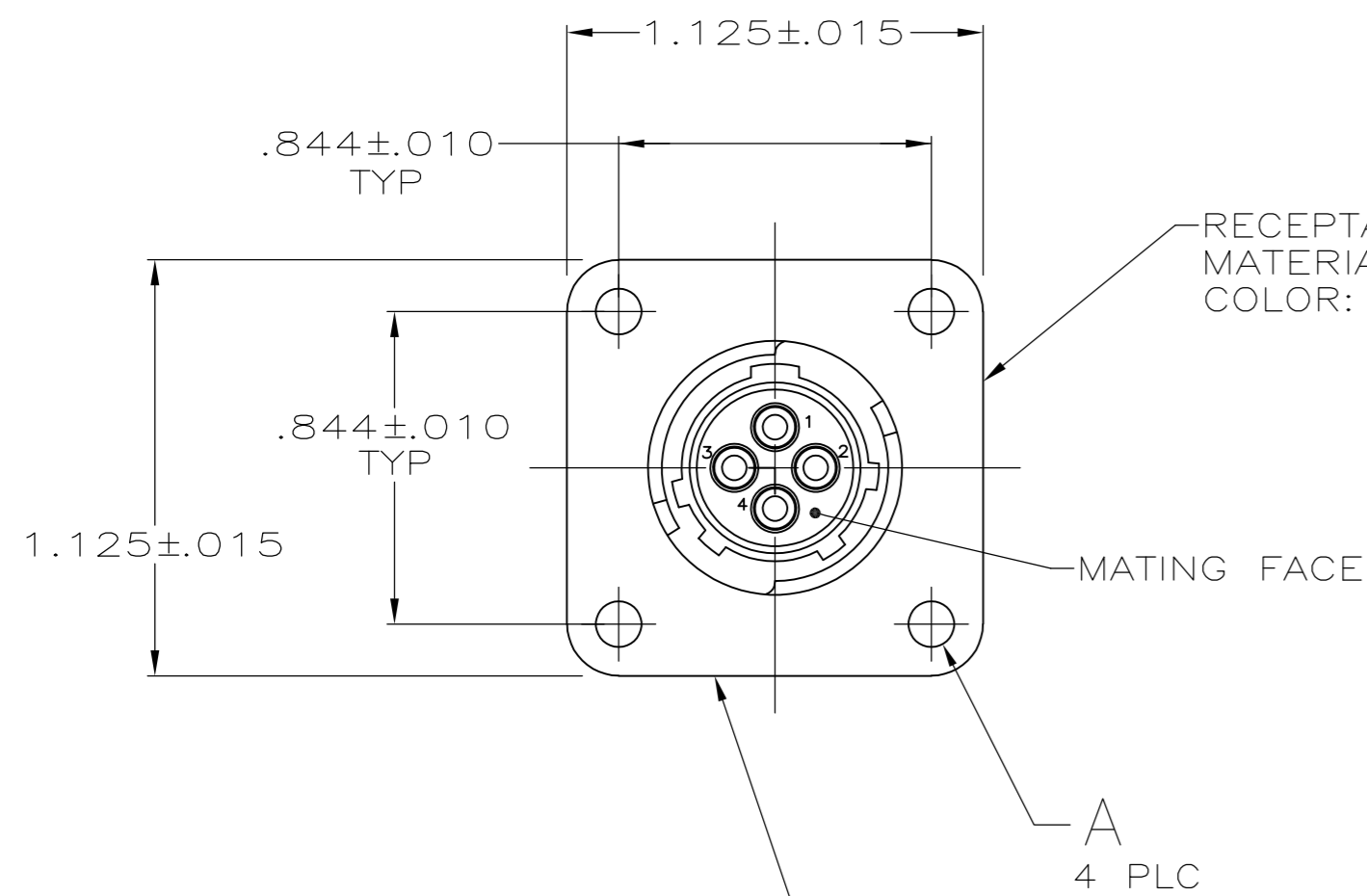


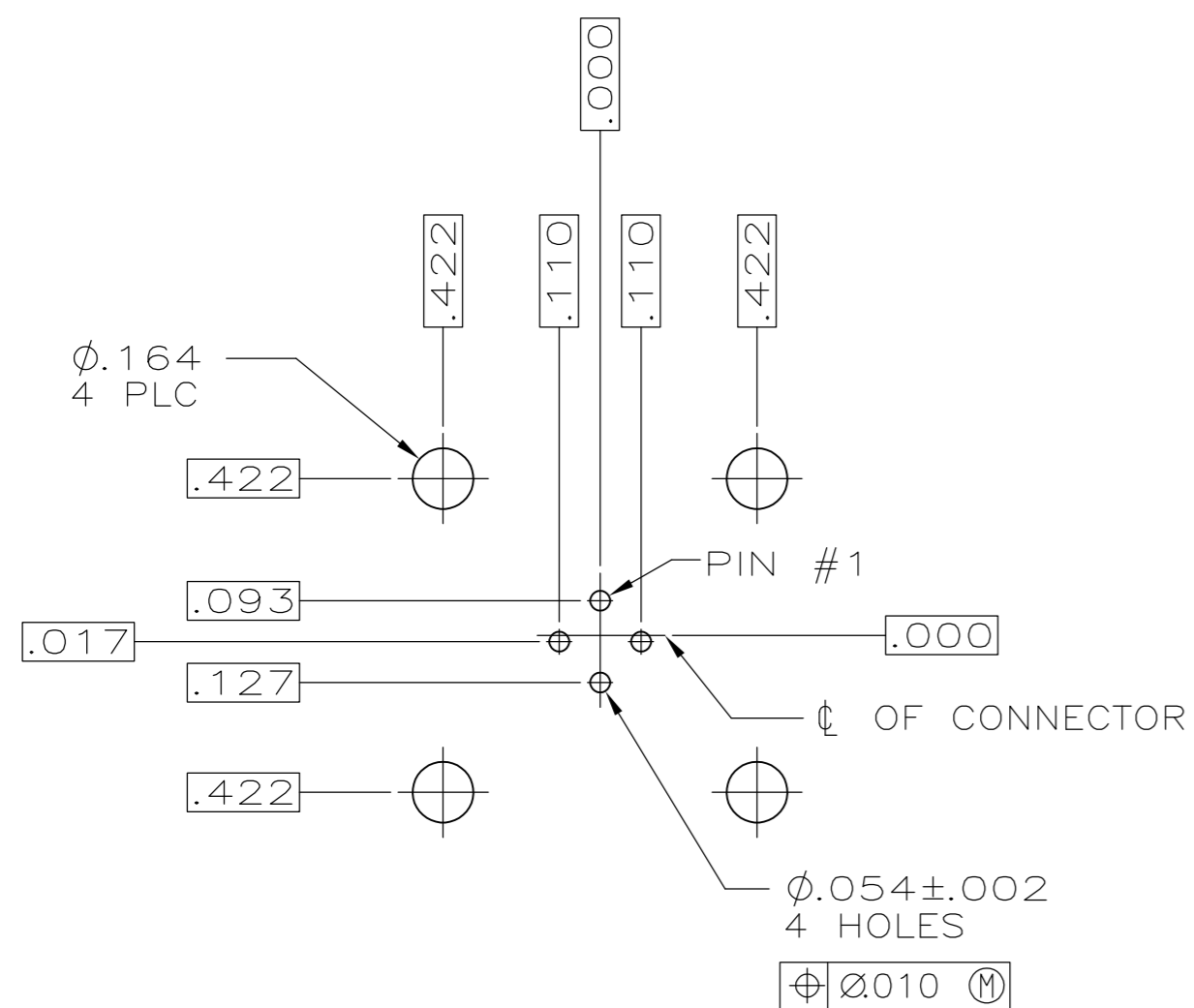
THIS DRAWING IS UNPUBLISHED. RELEASED FOR PUBLICATION  
 © COPYRIGHT - By - ALL RIGHTS RESERVED.

REVISIONS					
P	LTR	DESCRIPTION	DATE	DWN	APVD
	L1	REVISED PER ECO-16-004800	10SEP2016	NK	MZ
	M	REVISED PER ECO-17-004657	05APR2017	RS	MZ



PART NUMBER AND DATE CODE MARKED ON ANY FLANGE EDGE

- ① CONTACT BODY: GOLD PLATED PER MIL-G-45204 OVER NICKEL PER QQ-N-290. CONTACT POST: TIN-LEAD PER MIL-T-10727 OVER COPPER PER MIL-C-14550A.
- ② CONTACT BODY: TIN-LEAD PLATED .000100 MIN. CONTACT POST: TIN-LEAD PLATED .000100 MIN.
- ③ CONTACT BODY: GOLD PLATED OVER NICKEL PER QQ-N-290. CONTACT POST: TIN OVER COPPER.
- ④ PRELIMINARY PART NUMBER.



RECOMMENDED P.C. BOARD LAYOUT

④	OBSOLETE	③	YES	.125 DIA	ALL	208283-8
	OBSOLETE	③	NO	.125 DIA	1,2,3	-208283-7
	OBSOLETE	③	NO	4-40UNC, INSERT, BRASS	1,3,4	208283-6
	OBSOLETE	②	NO	.125 DIA	ALL	-208283-5
		③	NO	.125 DIA	ALL	208283-4
④	OBSOLETE	①	YES	.125 DIA	ALL	208283-3
	OBSOLETE	①	NO	4-40UNC, INSERT, BRASS	1,3,4	208283-2
		①	NO	.125 DIA	ALL	208283-1

FINISH	PERIPHERAL SEAL	A	CONTACTS LOADED AT POSITION	PART NUMBER																												
THIS DRAWING IS A CONTROLLED DOCUMENT.																																
DIMENSIONS: INCHES		TOLERANCES UNLESS OTHERWISE SPECIFIED:																														
<table border="1"> <tr><td>0 PLC</td><td>± -</td></tr> <tr><td>1 PLC</td><td>± -</td></tr> <tr><td>2 PLC</td><td>± -</td></tr> <tr><td>3 PLC</td><td>± .005</td></tr> <tr><td>4 PLC</td><td>± -</td></tr> <tr><td>ANGLES</td><td>± -</td></tr> </table>		0 PLC	± -	1 PLC	± -	2 PLC	± -	3 PLC	± .005	4 PLC	± -	ANGLES	± -	<table border="1"> <tr><td>DWN</td><td>R.LEE BG</td><td>6-22-91</td></tr> <tr><td>CHK</td><td>W.G.LENKER</td><td>4-14-92</td></tr> <tr><td>APVD</td><td>-</td><td>-</td></tr> <tr><td>PRODUCT SPEC</td><td colspan="2">108-10024</td></tr> <tr><td>APPLICATION SPEC</td><td colspan="2">-</td></tr> </table>		DWN	R.LEE BG	6-22-91	CHK	W.G.LENKER	4-14-92	APVD	-	-	PRODUCT SPEC	108-10024		APPLICATION SPEC	-		NAME	TE Connectivity
0 PLC	± -																															
1 PLC	± -																															
2 PLC	± -																															
3 PLC	± .005																															
4 PLC	± -																															
ANGLES	± -																															
DWN	R.LEE BG	6-22-91																														
CHK	W.G.LENKER	4-14-92																														
APVD	-	-																														
PRODUCT SPEC	108-10024																															
APPLICATION SPEC	-																															
MATERIAL			WEIGHT	RESTRICTED TO																												
FINISH			SCALE 1:1	SHEET 1 OF 1																												
CUSTOMER DRAWING			SCALE 1:1	REV M																												

208283

B

A

## X-ON Electronics

Largest Supplier of Electrical and Electronic Components

*Click to view similar products for [Standard Circular Connector](#) category:*

*Click to view products by [TE Connectivity](#) manufacturer:*

Other Similar products are found below :

[5M2530B10P](#) [600259N006](#) [600273N007](#) [6134-336-13149](#) [6134-337-11149](#) [6134-337-2390](#) [6134-341-17149](#) [6280-4SG-516](#) [6280-7SG-3DC](#)  
[6290](#) [6291A](#) [66200A-10](#) [680-SMG](#) [681-PMG](#) [CXS3102A14S2P](#) [CXS3102A181S](#) [7271-6SG-300](#) [7282-3PG-300-CH3](#) [75-474618-01S](#) [75-](#)  
[474618-04P](#) [75-474618-04S](#) [799539-000](#) [MI8-SE](#) [805-005-07NF11-19PC](#) [805-005-07NF15-7PA](#) [8280-4PG-516](#) [8280-7PG-519](#) [8282-5PG-](#)  
[519](#) [836783-1](#) [MP-4102-25P-C](#) [862256-1](#) [864019-2](#) [866857-1](#) [867865-1](#) [PT01SP-14-18P](#) [PT08P-14-5S](#) [120-1833-000](#)  
[QCM019PC2DC012B](#) [1-2069279-1](#) [121583-0217](#) [121667-0020](#) [129591AU](#) [1000B BULK](#) [RD10A16-19-P6CS051/1](#) [RD10A20-31-](#)  
[P8CS051/1](#) [RD16A14-12-S6CS051/2](#) [1301240290](#) [1301240347](#) [1301860202](#) [1301240268](#) [1301240275](#)